



Illustrated Parts List

Model Series

9K400

TYPE NUMBERS
0022, 0023, 0024, 0115,
0116, 0117, 0118, 0119.

TABLE OF CONTENTS

Air Cleaner	6
Blower Housing	7
Cam	2
Carburetor	4
Controls	5
Crankcase Cover/Sump	3
Crankshaft	2
Cylinder	2
Flywheel	7
Fuel Tank	3
Governor Spring	5
Head	2
Ignition	5
Kits/Gaskets-Carburetor	4
Kits/Gaskets-Valve/Engine	2
Muffler	6
Oil	3
Piston Group	2
Rewind	7
Valves	2

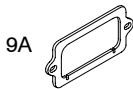
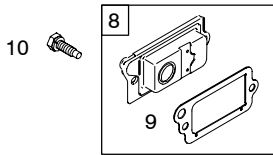
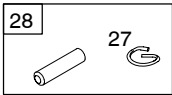
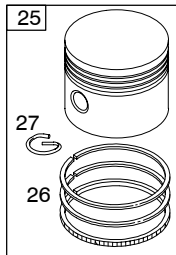
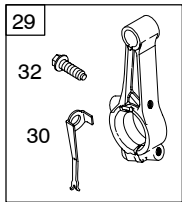
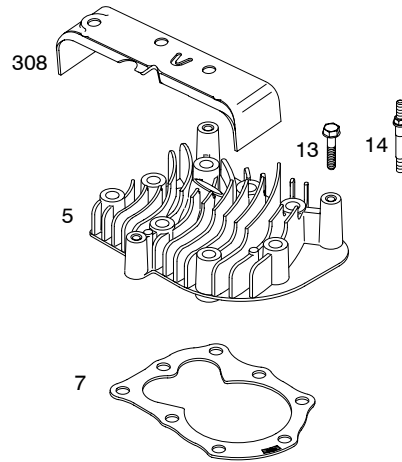
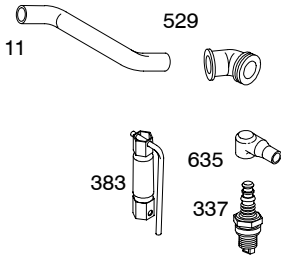
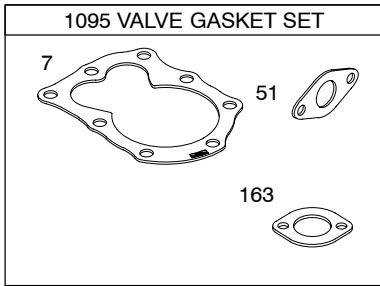
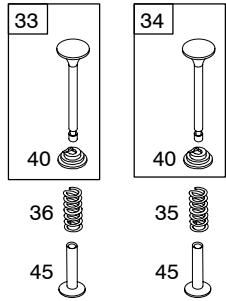
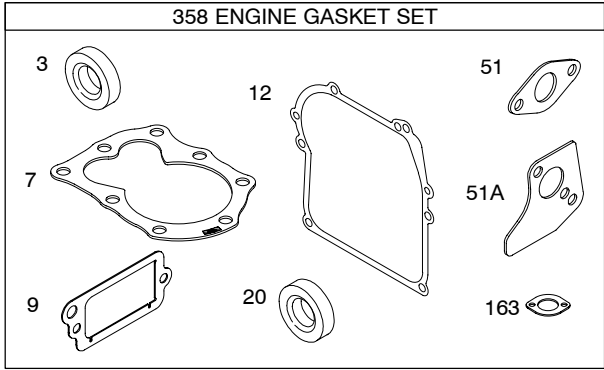


PRINTED IN U.S.A.

COPYRIGHT by BRIGGS & STRATTON CORPORATION
All rights reserved. No part of this material may be reproduced or transmitted, in any form or by any means, electronic or mechanical, including photocopying, recording or by any information storage and retrieval system, without permission in writing from Briggs & Stratton Corporation.

1058 OPERATOR'S MANUAL

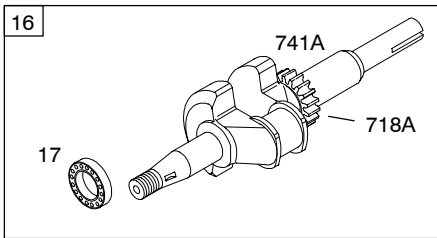
1330 REPAIR MANUAL



TIMING MARK IS AN OVAL {O}



TIMING MARK IS A CIRCLE {O}

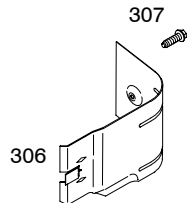
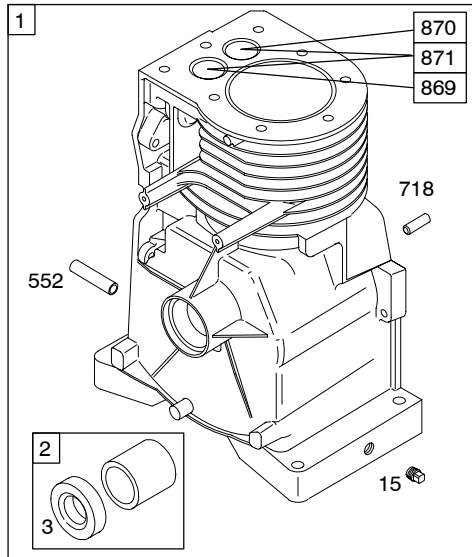
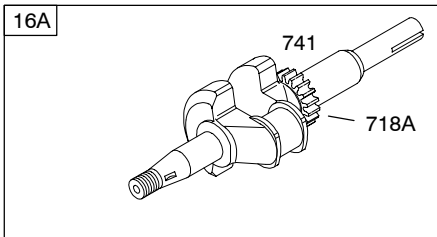


24

Part shown: 24.

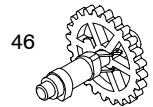
17

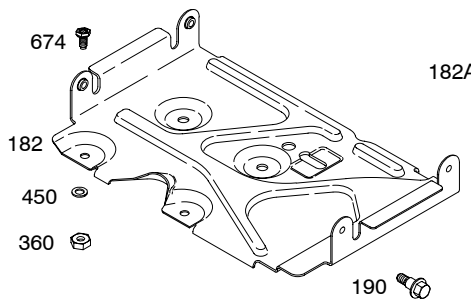
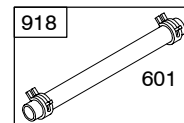
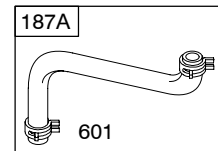
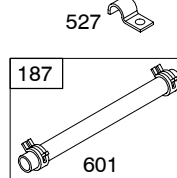
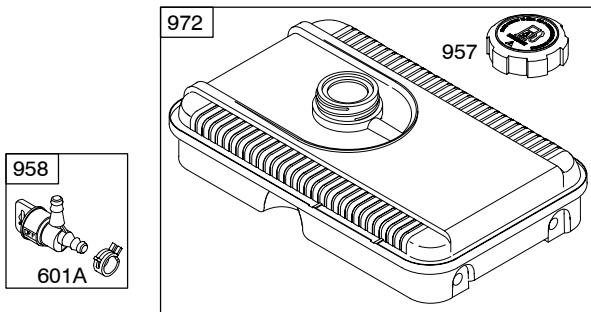
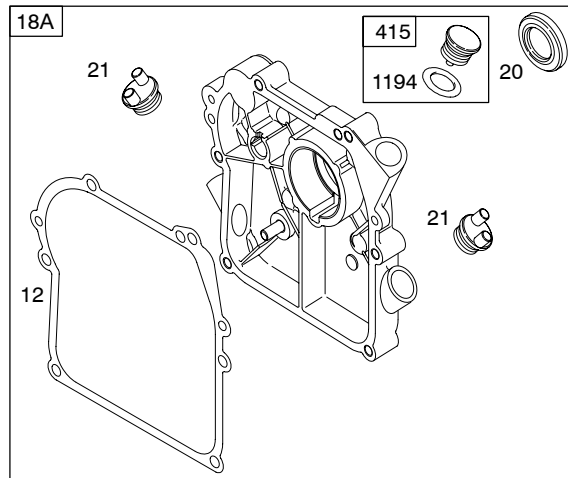
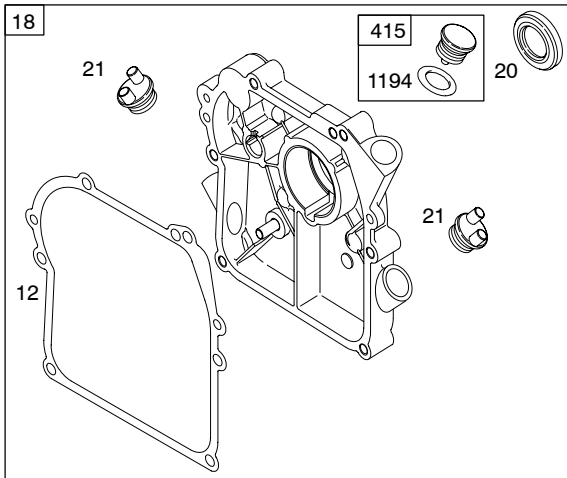
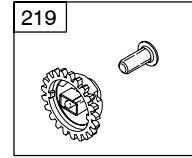
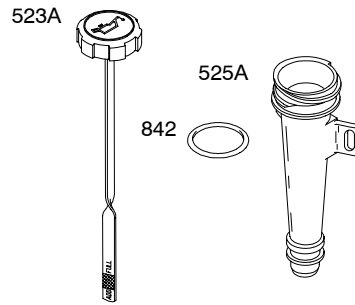
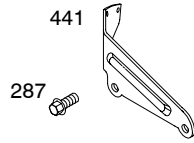
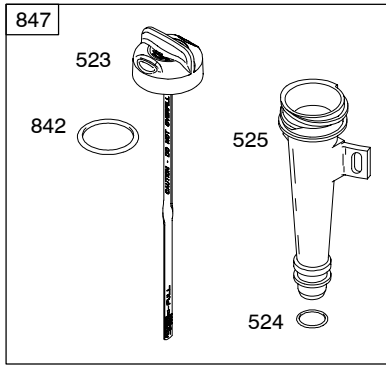
Part shown: 17.

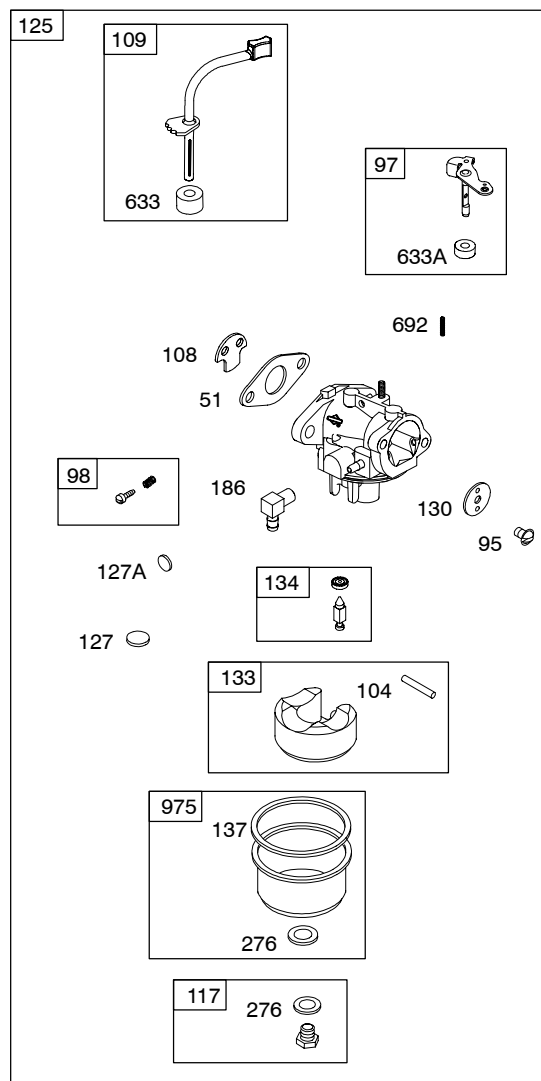
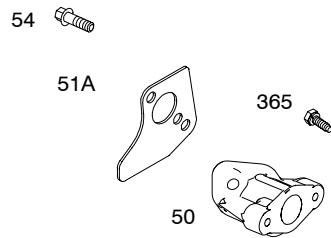
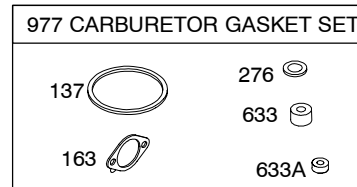
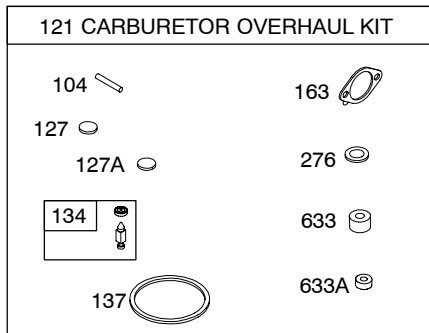


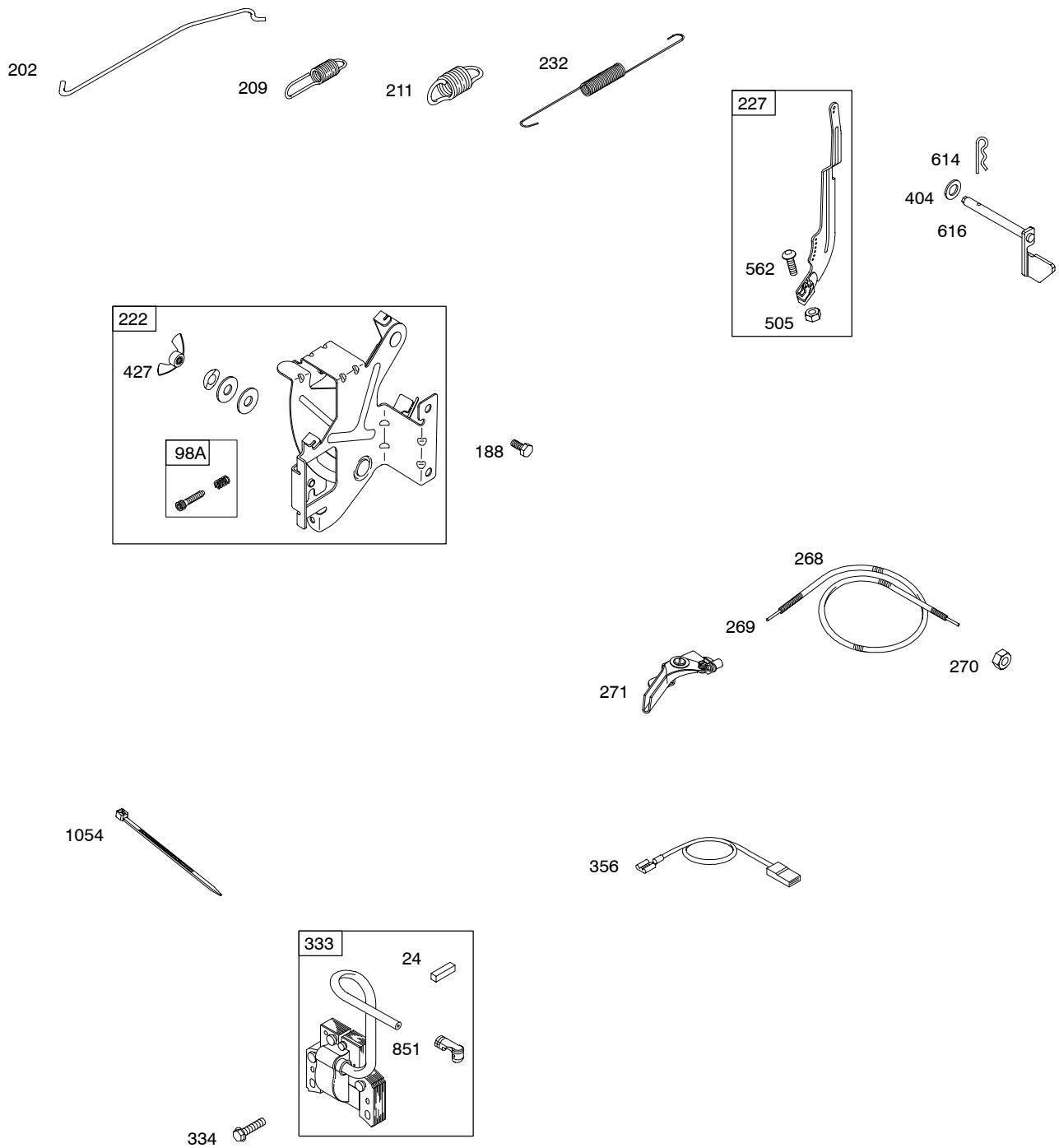
306

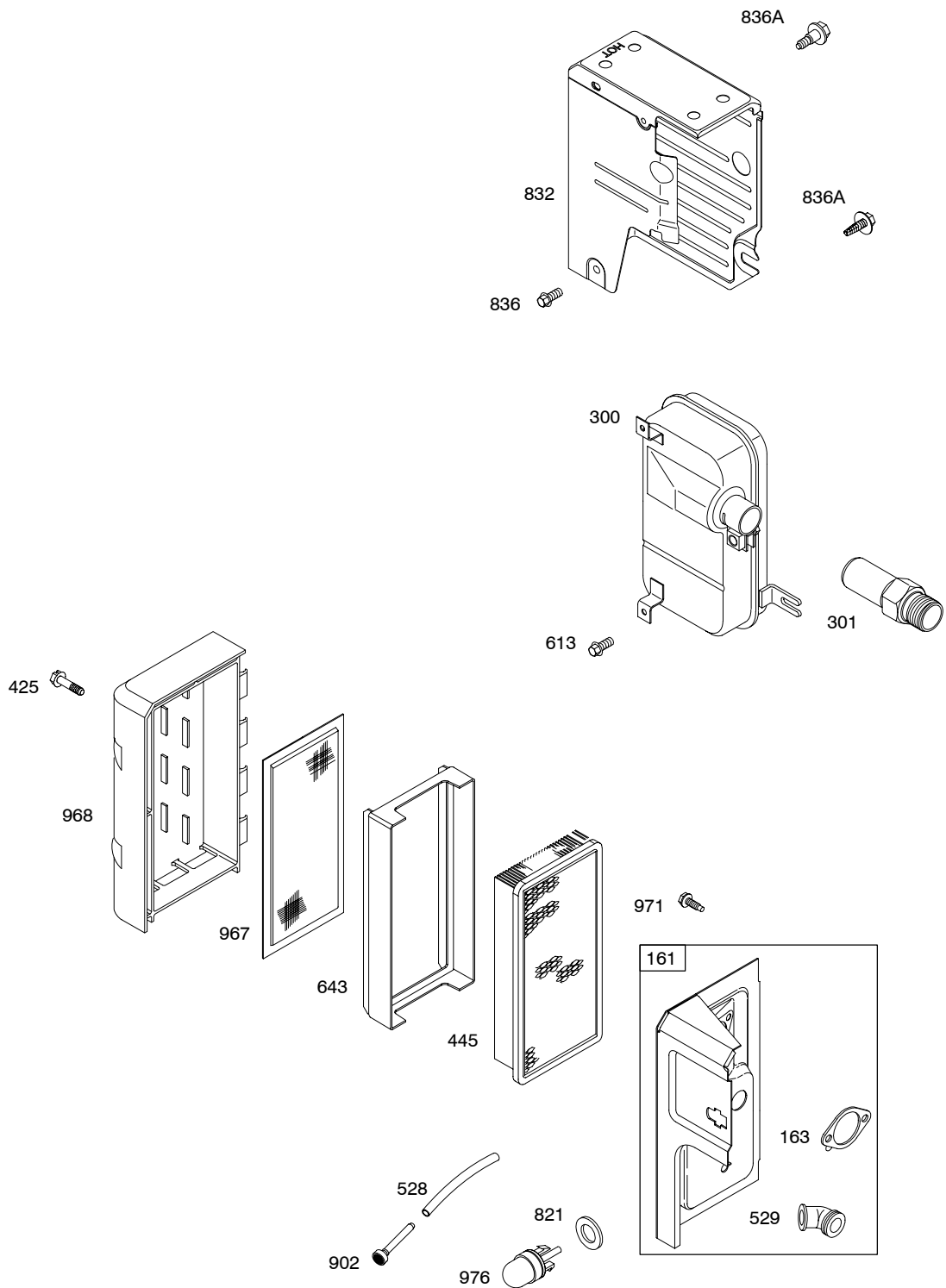
Part shown: 306.

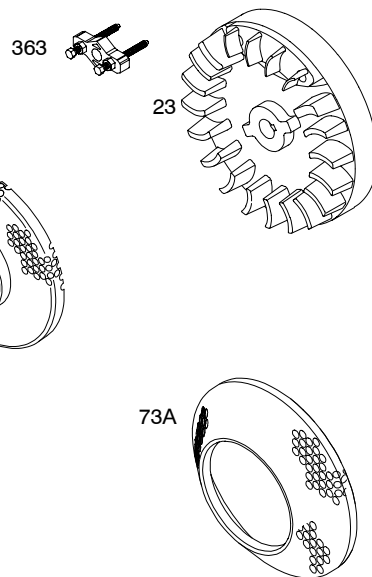
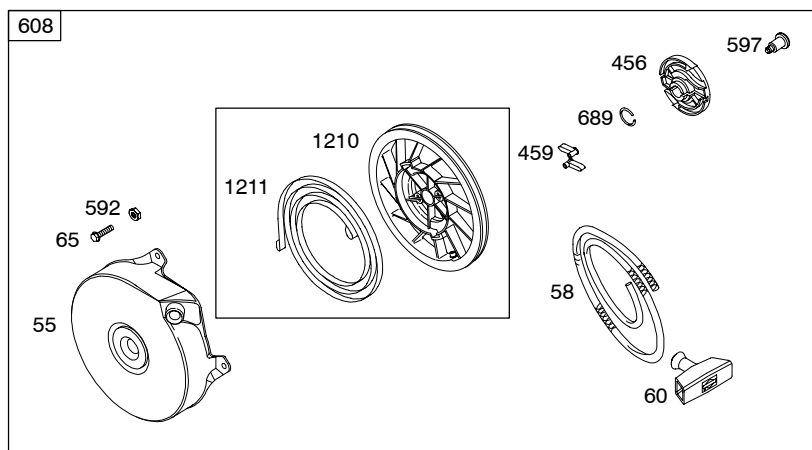
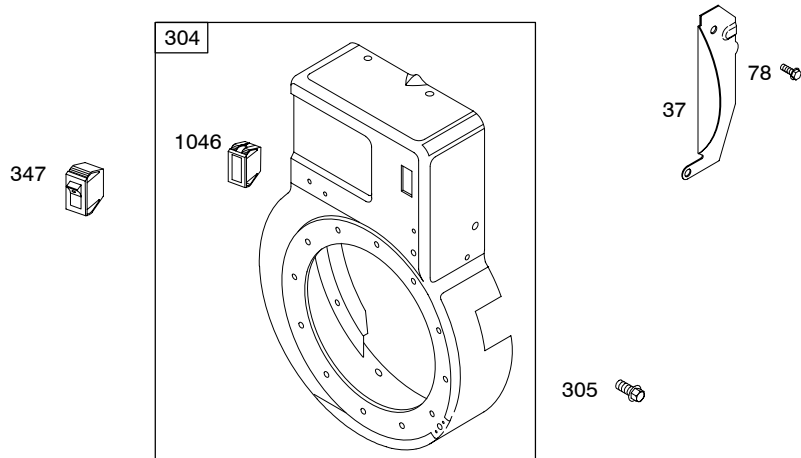












9K400

REF. NO.	PART NO.	DESCRIPTION	REF. NO.	PART NO.	DESCRIPTION	REF. NO.	PART NO.	DESCRIPTION
1	695165	Cylinder Assembly (Used After Code Date 99103100). ----- Note ----- 496864 Cylinder Assembly (Used Before Code Date 99110100).	16	791421	Crankshaft (Used Before Code Date 05051900). Used on Type No(s). 0024, 0115. ----- Note ----- 791418 Crankshaft Used On Type No(s). 0022. (Used Before Code Date 05051900).	22	691129	Screw (Crankcase Cover/Sump) ----- Note ----- 691128 Screw (Crankcase Cover/Sump) (Used in Positions 1 and 6) Used on Type No(s). 0022, 0023.
2	399269	Kit-Bushing/Seal (Magneto Side)			791456 Crankshaft (Used Before Code Date 05051900).			691128 Screw (Crankcase Cover/Sump) (Used in Position 1) Used on Type No(s). 0024.
3	★299819s	Seal-Oil (Magneto Side)			791418 Crankshaft (Used After Code Date 05110800). Used on Type No(s). 0022.	23	690843	Flywheel
5	692636	Head-Cylinder			----- Note ----- 792227 Crankshaft (Used After Code Date 05110800). Used on Type No(s). 0023.	24	222698s	Key-Flywheel
7	★∅698717	Gasket-Cylinder Head	16A	792228	Crankshaft (Used After Code Date 05110800). Used on Type No(s). 0022.	25	790908	Piston Assembly (Standard) (Used After Code Date 05051800). ----- Note -----
8	791779	Breather Assembly (Used After Code Date 05102400). ----- Note ----- 699448 Breather Assembly (Used Before Code Date 05102500).			792229 Crankshaft (Used After Code Date 05110800). Used on Type No(s). 0024, 0115.			498668 Piston Assembly (Standard) (Used Before Code Date 05051900).
9	695890	Gasket-Breather (Used After Code Date 03031900).			17	690824	Bearing-Ball	792532 Piston Assembly (.020" Oversize) (Used After Code Date 05051800).
9A	★∅27549s	Gasket-Breather (Used Before Code Date 03032000).	18	497502	Cover-Crankcase (Used Before Code Date 05110900).			
10	691666	Screw (Breather Assembly)	18A	792232	Cover-Crankcase (Used After Code Date 05110800).			
11	691246	Tube-Breather			20	692020	Seal-Oil (PTO Side)	
12	★692218	Gasket-Crankcase (.015" Thick) (Standard) ----- Note ----- ★270895 Gasket-Crankcase (.005" Thick) ★270896 Gasket-Crankcase (.009" Thick)			21	281658s	Cap-Oil Fill	
13	691640	Screw (Cylinder Head)						
14	690361	Stud (Cylinder Head) (Used in Positions 6 and 8)						
15	691686	Plug-Oil Drain						

★ Engine Gasket Set-Reference 358
● Carburetor Overhaul Kit-Reference 121

◆ Carburetor Gasket Set-Reference 977
∅ Valve Gasket Set-Reference 1095

REF. NO.	PART NO.	DESCRIPTION	REF. NO.	PART NO.	DESCRIPTION	REF. NO.	PART NO.	DESCRIPTION																																																																																																
26	790909	Ring Set (Standard) (Used After Code Date 05051800). ----- Note ----- 695169 Ring Set (Standard) (Used After Code Date 99103100 and Before Code Date 05051900). 498680 Ring Set (Standard) (Used Before Code Date 99110100). <hr/> 695171 Ring Set (.010" Oversize) (Used After Code Date 99103100 and Before Code Date 05051900). <hr/> 792533 Ring Set (.020" Oversize) (Used After Code Date 05051800). 695172 Ring Set (.020" Oversize) (Used After Code Date 99103100 and Before Code Date 05051900). 498682 Ring Set (.020" Oversize) (Used Before Code Date 99110100). <hr/> 695173 Ring Set (.030" Oversize) (Used After Code Date 99103100 and Before Code Date 05051900). 498683 Ring Set (.030" Oversize) (Used Before Code Date 99110100).	28	699659	Pin-Piston (Standard) (Used After Code Date 05051800). ----- Note ----- 298909 Pin-Piston (Standard) (Used Before Code Date 05051900). 298908 Pin-Piston (.020 Undersize) (Used Before Code Date 05051900). 29 699655 Rod-Connecting 30 691719 Dipper-Connecting Rod 32 691664 Screw (Connecting Rod) 33 296676 Valve-Exhaust 34 296677 Valve-Intake 35 690520 Spring-Valve (Intake) 36 690520 Spring-Valve (Exhaust) 37 690463 Guard-Flywheel 40 692194 Retainer-Valve 45 691762 Tappet-Valve 46 691998 Camshaft 50 691922 Manifold-Intake 51 ★692283 Gasket-Intake 51A ★273113s Gasket-Intake 54 691689 Screw (Intake Manifold) 55 692144 Housing-Rewind Starter 58 691921 Rope-Starter 60 691915 Grip-Starter Rope 65 690837 Screw (Rewind Starter) 73 694018 Screen-Rotating (Used Before Code Date 04032900). 73A 699850 Screen-Rotating (Used After Code Date 04032800). 78 690364 Screw (Flywheel Guard) 95 691636 Screw (Throttle Valve)	97	496861	Shaft-Throttle	98	398185	Kit-Idle Speed (Carburetor)	98A	493280	Kit-Idle Speed (Control Bracket)	104	●691242	Pin-Float Hinge	108	692567	Valve-Choke	109	496860	Shaft-Choke	117	692643	Jet-Main (Standard)	121	498260	Kit-Carburetor Overhaul	125	692644	Carburetor	127	●691739	Plug-Welch (5/16" Diameter)	127A	694468	Plug-Welch (3/8" Diameter)	130	691181	Valve-Throttle	133	398187	Float-Carburetor	134	●398188	Kit-Needle/Seat	137	●693981	Gasket-Float Bowl	161	692657	Base-Air Cleaner	163★	∅272948s	Gasket-Air Cleaner	182	690485	Bracket-Fuel Tank	182A	692658	Bracket-Fuel Tank	186	692317	Connector-Hose	187	791766	Line-Fuel	187A	791857	Line-Fuel (Molded)	188	691637	Screw (Control Bracket)	190	692199	Screw (Fuel Tank)	202	692351	Link-Mechanical Governor	209	691857	Spring-Governor (Silver) Used on Type No(s). 0022, 0024, 0115, 0116. ----- Note ----- 691858 Spring-Governor (Yellow) Used On Type No(s). 0023, 0117, 0118.	211	691849	Spring-Governed Idle	219	496786	Gear-Governor	220	691724	Washer (Governor Gear)	222	691411	Bracket-Control	227	691412	Lever-Governor Control	232	691846	Spring-Governor Link	240	298090s	Filter-Fuel

★ Engine Gasket Set-Reference 358
● Carburetor Overhaul Kit-Reference 121

◆ Carburetor Gasket Set-Reference 977
∅ Valve Gasket Set-Reference 1095

9K400

REF. NO.	PART NO.	DESCRIPTION	REF. NO.	PART NO.	DESCRIPTION	REF. NO.	PART NO.	DESCRIPTION
268	691072	Casing-Control Wire (Cut to Required Length)	459	281505s	Pawl-Ratchet	741	791124	Gear-Timing (Timing Mark is an Oval {O})
269	691026	Wire-Control (Cut to Required Length)	505	691251	Nut (Governor Control Lever)	741A	691805	Gear-Timing (Timing Mark is a Circle {O})
270	691027	Nut (Control Wire Casing)	523	499621	Dipstick (Used After Code Date 99042100).	821	692661	Washer (Carburetor Primer)
271	691028	Lever-Control	523A	691395	Dipstick (Used Before Code Date 99042200).	832	692368	Guard-Muffler
276	◆271716	Washer-Sealing	524	★691876	Seal-Dipstick Tube	836	691693	Screw (Muffler Guard)
287	695733	Screw (Dipstick Tube)	525	694426	Tube-Dipstick (Used After Code Date 99042100).	836A	691685	Screw (Muffler Guard)
300	692365	Muffler	525A	694531	Tube-Dipstick (Used Before Code Date 99042200).	842	★691870	Seal-O Ring (Dipstick Tube)
301	690526	Pipe-Exhaust	527	690423	Clamp-Tube Used On Type No(s). 0023, 0117.	847	694532	Dipstick/Tube Assembly (Used After Code Date 99042100).
304	692622	Housing-Blower	528	692792	Hose-Primer (Cut to Required Length)	----- Note -----		
305	692198	Screw (Blower Housing)	529	692187	Grommet	690848		Dipstick/ Tube Assembly (Used Before Code Date 99042200).
306	690461	Shield-Cylinder	552	690508	Bushing-Governor Crank	851	493880s	Terminal-Spark Plug
307	691660	Screw (Cylinder Shield)	562	691119	Bolt (Governor Control Lever)	869	691701	Seat-Valve (Intake)
308	690462	Cover-Cylinder	592	690800	Nut (Rewind Starter)	870	691702	Seat-Valve (Exhaust)
332	690662	Nut (Flywheel)	597	691696	Screw (Pawl Friction Plate)	871	262001	Bushing-Valve Guide
333	496914	Armature-Magneto	601	791850	Clamp-Hose	902	692741	Filter-Primer
334	691061	Screw (Magneto Armature)	601A	691038	Clamp-Hose	918	393815	Hose-Vacuum
337	496018s	Plug-Spark	608	690101	Starter-Rewind	930	691348	Guard-Rewind
347	691396	Switch-Rocker	613	690810	Screw (Muffler)	957	692665	Cap-Fuel Tank (For Kerosene Fuel Tank)
		----- Note -----	614	691620	Pin-Cotter	957A	692662	Cap-Fuel Tank (For Auxilliary Petrol Fuel Tank)
		691995 Switch-Rocker Used On Type No(s). 0117.	616	692016	Crank-Governor	958	698181	Valve-Fuel Shut Off
356	693010	Wire-Stop	633	◆693867	Seal-Choke/ Throttle Shaft (Choke)	967	492889	Filter-Pre Cleaner
358	496865	Gasket Set-Engine	633A	◆691321	Seal-Choke/ Throttle Shaft (Throttle)	968	691327	Cover-Air Cleaner
360	691105	Nut (Fuel Tank Bracket)	635	66538s	Boot-Spark Plug	971	690370	Screw (Air Cleaner Base)
363	19069	Puller-Flywheel	643	691908	Retainer-Air Filter	972	692664	Tank-Fuel (Kerosene Fuel Tank)
365	691688	Screw (Carburetor)	674	690810	Screw (Fuel Tank Bracket)	975	493640	Bowl-Float
383	89838s	Wrench-Spark Plug	689	691855	Spring-Friction	976	692666	Primer-Carburetor
404	691691	Washer (Governor Crank)	692	690572	Spring-Detent	977	498261	Gasket Set-Carburetor
415	691363	Plug (For High Oil Fill)	718	690959	Pin-Locating (Cylinder)	1046	691337	Plug-Blower Housing
425	690670	Screw (Air Cleaner Cover)	718A	499047	Pin-Locating (Crankshaft)	1054	280275	Tie-Cable
427	690355	Nut (Control Bracket)						
441	690484	Bracket-Oil Fill						
445	494511s	Filter-Air Cleaner Cartridge						
450	692635	Washer (Fuel Tank Bracket)						
455	691236	Cup-Flywheel						
456	692299	Plate-Pawl Friction						

★ Engine Gasket Set-Reference 358
● Carburetor Overhaul Kit-Reference 121

◆ Carburetor Gasket Set-Reference 977
Ø Valve Gasket Set-Reference 1095

REF. NO.	PART NO.	DESCRIPTION	REF. NO.	PART NO.	DESCRIPTION	REF. NO.	PART NO.	DESCRIPTION
1058	276231	Operator's Manual	1210	499901	Pulley/Spring Assembly (Pulley)	1330	270962	Repair Manual
1095	498525	Gasket Set-Valve						
1194	★691876	Seal-O Ring (Plug)	1211	499901	Pulley/Spring Assembly (Spring)			

- ★ Engine Gasket Set-Reference 358
- Carburetor Overhaul Kit-Reference 121

- ◆ Carburetor Gasket Set-Reference 977
- ∅ Valve Gasket Set-Reference 1095