

**94500 to 94599**

# **Illustrated Parts List**

## **Model Series**

### **94500 to 94599**

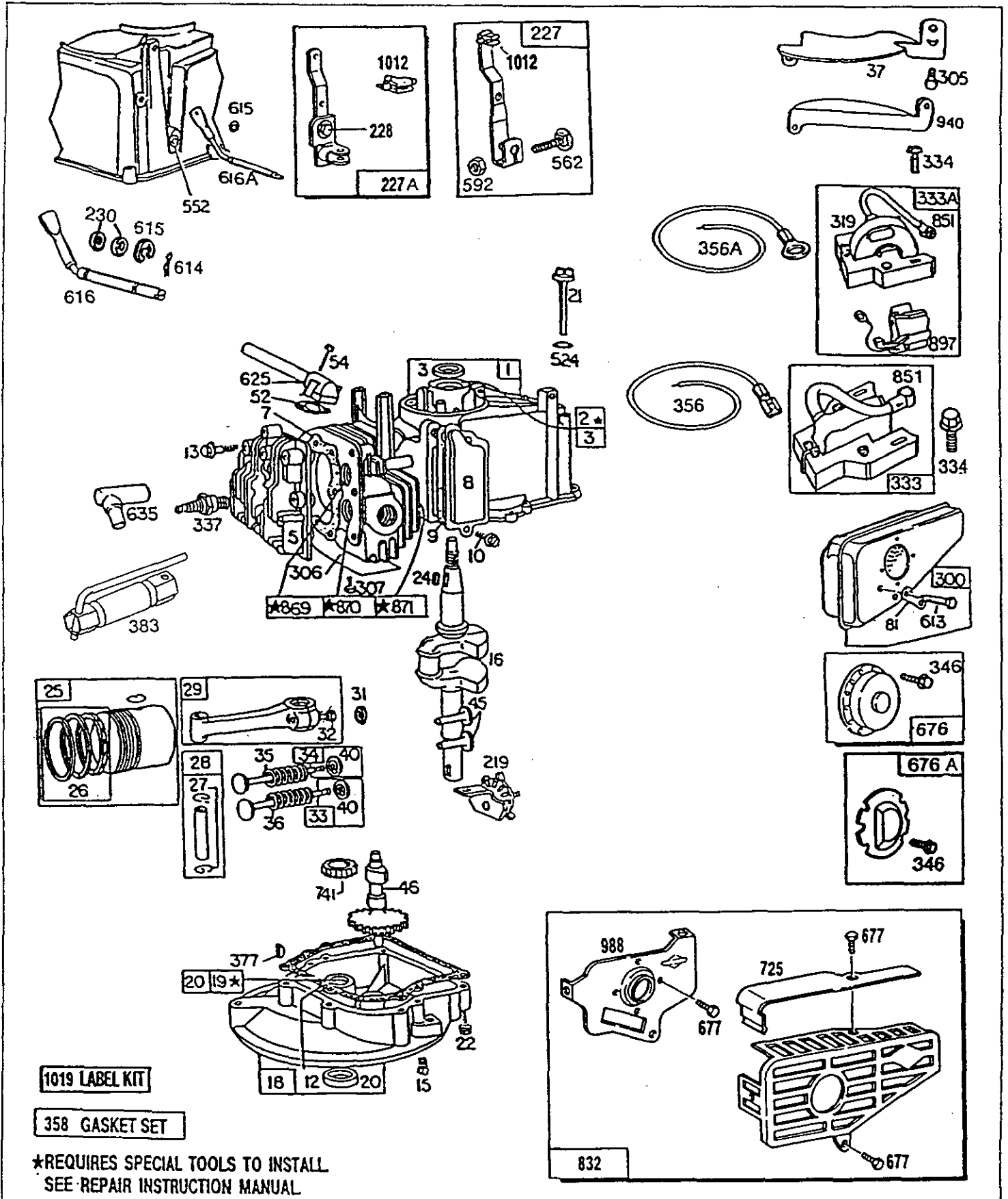
### **Non-Compliance**

TYPE NUMBERS  
0617 through 0620  
5911 through 5920

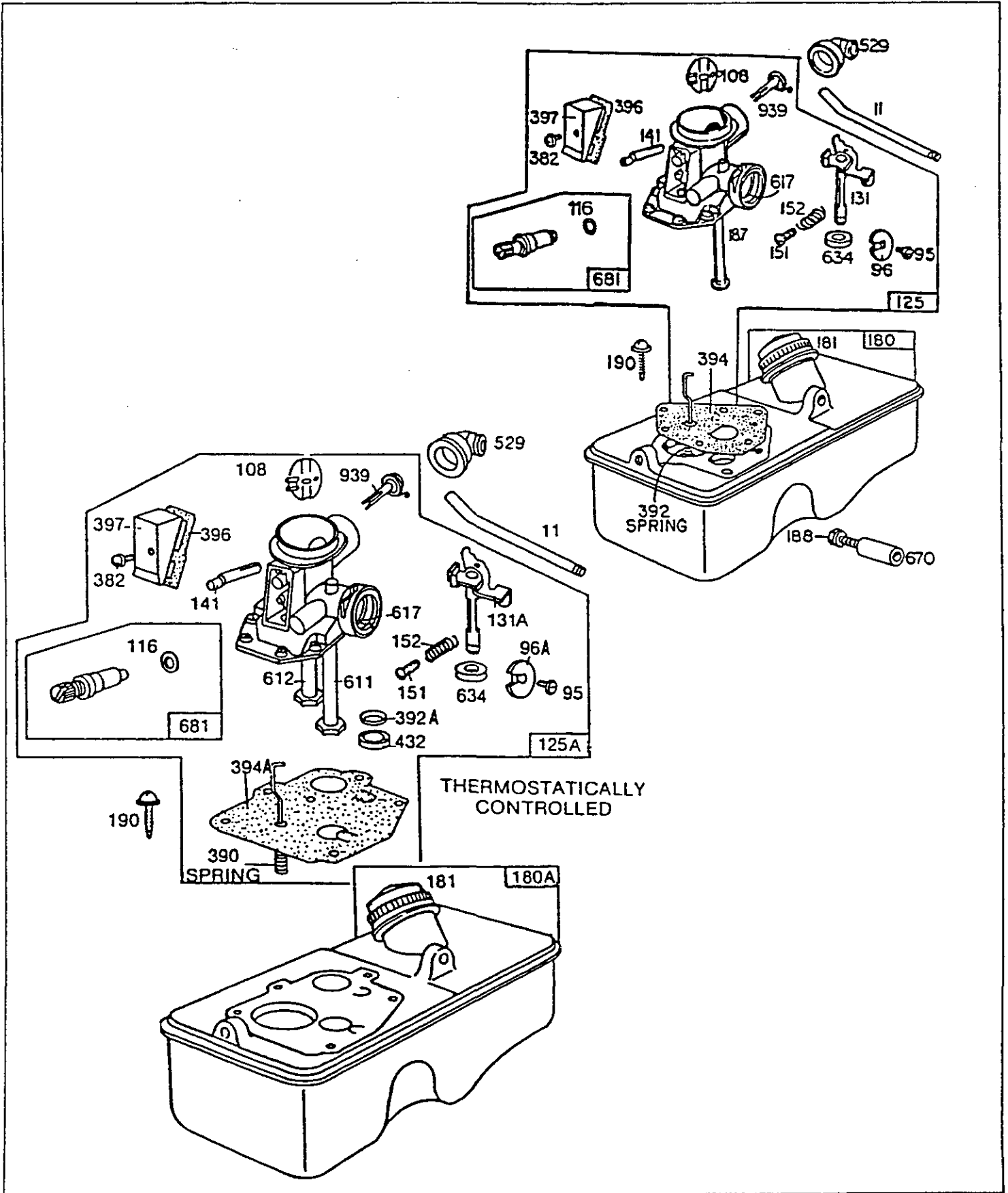
#### **TO FIND THE CORRECT NUMBER OF THE PART YOU NEED: FOLLOW THE INSTRUCTIONS BELOW**

- A. Refer to Engine Model, Type and Code Number that is stamped on the blower housing of engine. Engine type numbers such as 012301 are listed herein only as 0123. The two digits (01 or 02, etc.) to the right of the space are not needed for parts identification. Then use the Illustrated Parts List covering the Model Series.
- B. Refer to Illustrated Parts section and compare the old part with illustration. The number on the illustration is the Reference Number. Assemblies include all parts shown in frames. All parts shown in assembly frames on which individual reference numbers are given can be purchased separately.
- C. After the Reference Number has been identified, refer to the Numerical Parts List, where Reference and Master Part Number are listed. **THE MASTER PART IS USED ON ALL TYPE NUMBERS EXCEPT THOSE TYPE NUMBERS UNDER "NOTE."**
- D. If a "Note" appears below the Master Part Number, this means that this part differs from the Master Part for certain types. If the Type number is listed under "Note," order the part referred to.
- E. If the Engine Type Number does not appear after any part number listed under "Note," use the Master Part Number.
- F. For Type Numbers higher than those covered by this book, please refer to the factory if you are unable to identify the part by comparison.

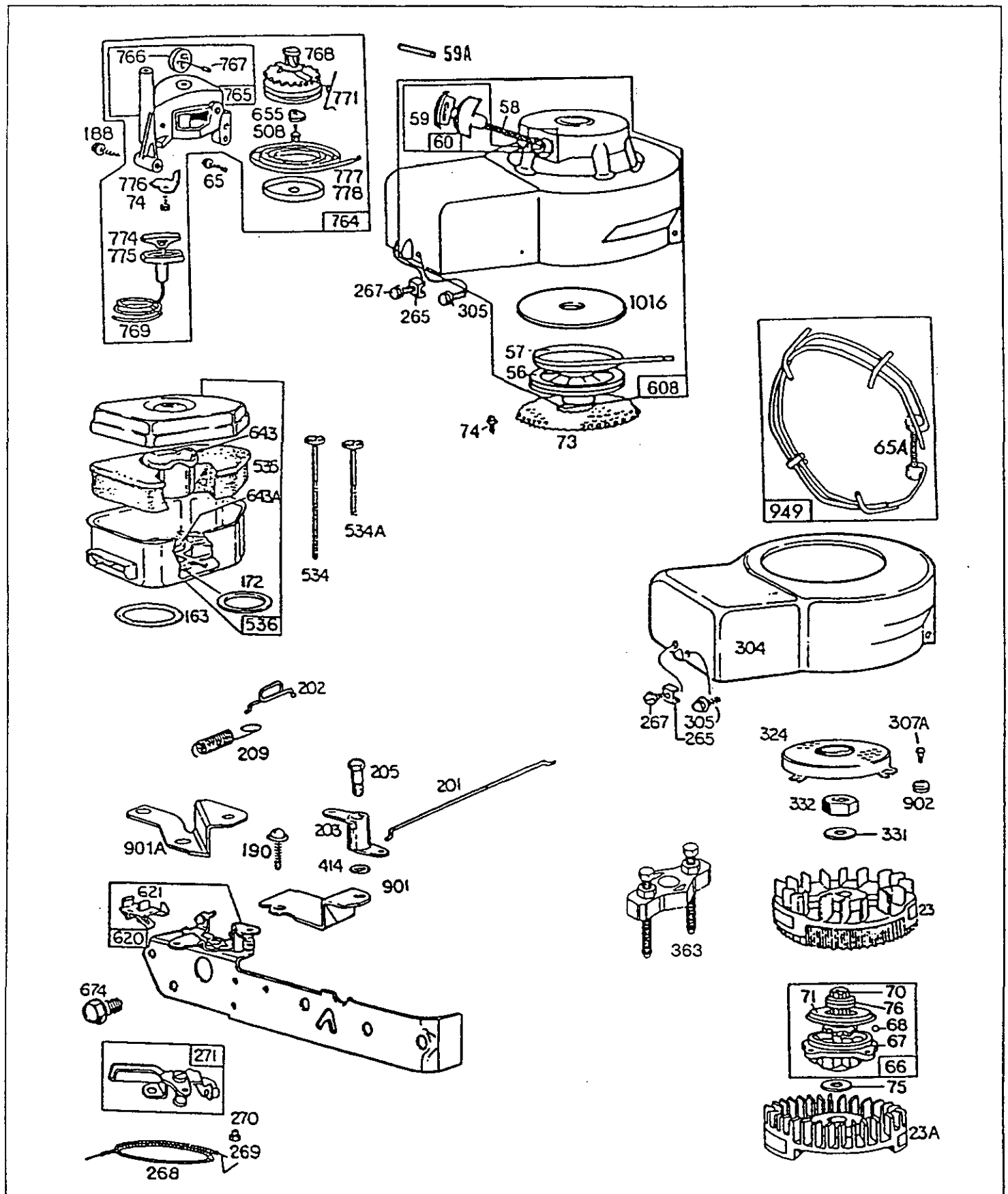
# 94500 to 94599



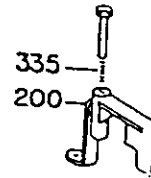
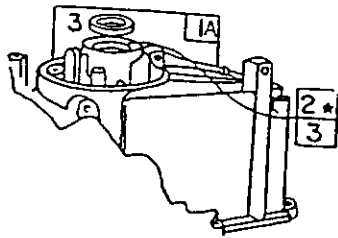
\*REQUIRES SPECIAL TOOLS TO INSTALL  
SEE REPAIR INSTRUCTION MANUAL



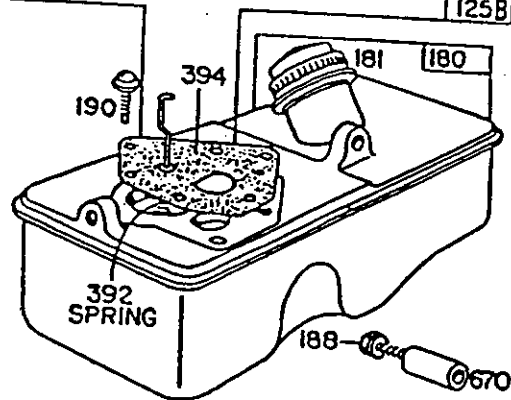
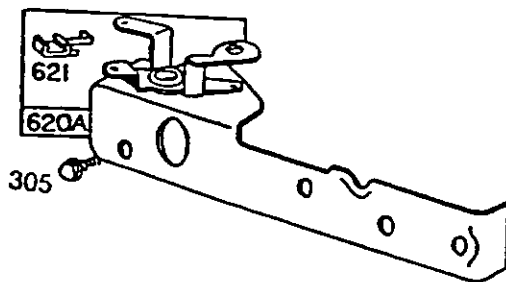
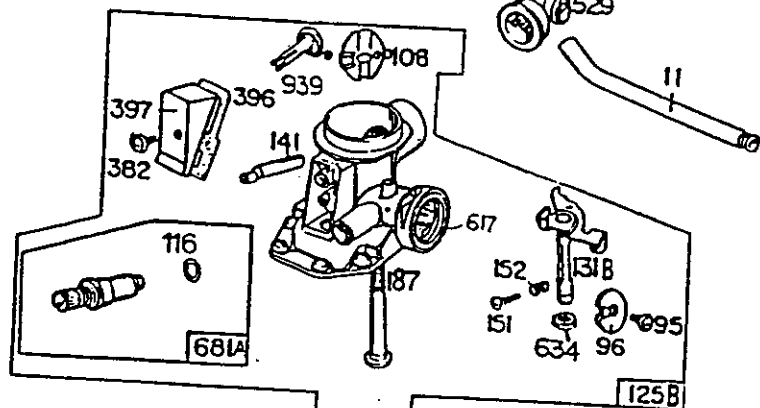
# 94500 to 94599



SPECIAL PARTS FOR 5900 SERIES  
(AIR VANE GOVERNOR)



201A



★REQUIRES SPECIAL TOOLS TO INSTALL  
SEE REPAIR INSTRUCTION MANUAL

# 94500 to 94599

REF. NO.	PART NO.	DESCRIPTION	REF. NO.	PART NO.	DESCRIPTION	REF. NO.	PART NO.	DESCRIPTION
1	399163	Cylinder Assembly		298906	Piston Assy.-.020" O.S.	66	399671	Clutch Assembly- Rewind Starter
1A	399164	Cylinder Assembly (Air Vane Governor)		298907	Piston Assy.-.030" O.S.	67	394897	Housing-Starter Clutch
2	293708	Bushing-Cylinder Plain <b>Note:</b> Requires Special Tools for Installation.	<b>MODEL 94500 SERIES</b> <b>PISTON RING SETS:</b> <b>Note:</b> For Chrome Piston Ring Set-Standard Size-order Part No. <b>299742.</b>			68	63770	Ball-Clutch
3	299819	Seal-Oil				69	298799	Ratchet-Rewind Starter
5	211479	Head-Cylinder	26	298982	Ring Set-Standard Piston	70	298799	Ratchet-Rewind Starter
7	*270341	Gasket-Cylinder Head		298983	Ring Set-.010" O.S. Piston	71	394506	Washer-Clutch Retainer (Rubber Coated) <b>Note:</b> 221653 Washer-Clutch Retainer (Non-Coated)
8	298383	Breather-Valve Chamber		298984	Ring Set-.020" O.S. Piston	73	221661	Screen-Rewind Starter
9	*270239	Gasket-Valve Cover		298985	Ring Set-.030" O.S. Piston	74	93490	Screw-Sem
10	93394	Screw-Breather Cover Mtg. Sem	27	26026	Lock-Piston Pin	75	223047	Washer-Spring
11	231272	Tube-Breather	28	298909	Pin Assembly-Piston (Standard)	76	68238	Washer-Ratchet Sealing
12	*270833	Gasket-Crankcase- .015" Thick (Standard)		298908	Pin Assembly- Piston-.005" O.S.	81	223256	Lock-Muffler Screw
	*270895	Gasket-Crankcase- .005" Thick	29	294201	Rod Assy.-Connecting <b>Note:</b> For Connecting Rod with .020" Undersize Crankpin Bore- Order Part No. 296079.	95	93499	Screw-Throttle Valve Mounting Sem
	*270896	Gasket-Crankcase- .009" Thick	31	222282	Washer-Connecting Rod Screw	96	211203	Valve-Throttle
13	93111	Screw-Cylinder Head (1-15/16" Long)	32	94404	Screw-Connecting Rod	96A	211237	Valve-Throttle
15	91084	Plug-Oil Drain (Square Head)	33	296676	Valve-Exhaust	108	280370	Valve-Choke
16	397218	Crankshaft <b>Note:</b> To Replace Crankshaft Gear Pin, Order Part No. 230978. 397049 Crankshaft Used on Type Nos. 0618, 0620, 5912, 5913, 5918.	34	296677	Valve-Intake	116	280203	Seal-O-Ring
18	395384	Sump-Engine	35	260552	Spring-Intake Valve	125	396072	Carburetor Assembly
19	293709	Bushing-Engine Sump Plain <b>Note:</b> Requires Special Tools for Installation.	36	26478	Spring-Exhaust Valve	125A	396336	Carburetor Assembly
20	391483	Seal-Oil	37	223150	Guard-Flywheel	125B	395375	Carburetor Assembly (Air Vane Governor)
21	281081	Plug-Oil Filler (Used After Code Date 85060200). <b>Note:</b> 280381 Plug-Oil Filler (Used Before Code Date 85060300).	40	93312	Retainer-Valve Spring	131	394593	Shaft and Lever- Throttle
22	93032	Screw-Sump Mtg. Sem	45	230173	Tappet-Valve	131A	394035	Shaft and Lever- Throttle
23	394032	Flywheel-Magneto	46	394800	Gear-Cam	131B	394588	Shaft and Lever- Throttle
23A	395653	Flywheel-Magneto	52	*270345	Gasket-Intake Elbow	141	68908	Shaft-Choke
24	222698	Key-Flywheel	54	93485	Screw-Intake Elbow Mounting	151	93524	Screw-Machine, Rd. Hd. (5-40 x 1/2" )
25	298904	Piston Assy.-Standard	56	280439	Pulley-Rewind Starter	152	260746	Spring-Throttle Adj.
	298905	Piston Assy.-.010" O.S.	57	490179	Spring-Rewind Starter	163	271139	Gasket-Air Cleaner Mounting
			58	66734	Rope-Rewind Starter (48-5/8" Long)	172	271273	Gasket-Air Cleaner
			59	396892	Grip-Starter Rope	180	393113	Tank Assembly-Fuel
			59A	230228	Pin-Starter Rope	180A	391694	Tank Assembly-Fuel
			60	393152	Grip-Starter Rope	181	298425	Cap-Fuel Tank
			65	93587	Screw-Vertical Pull Starter Mounting	187	393001	Pipe-Fuel
			65A	94124	Screw-Guard Retaining	188	94102	Screw-Fuel Tank and Starter Mounting
						190	93440	Screw-Fuel Tank Mounting Sem
						200	68388	Blade-Governor

\* Included in Gasket Set-  
Part No. 298989.

# 94500 to 94599

REF. NO.	PART NO.	DESCRIPTION	REF. NO.	PART NO.	DESCRIPTION	REF. NO.	PART NO.	DESCRIPTION
201	261918	Link-Governor (Used After Code Date 82101804). <b>Note:</b> 261539 Link-Governor (Used Before Code Date 82101904).	268	66986	Casing-Control Wire (48" Long) <b>Note:</b> If Longer Casing is Needed, Specify Length in Inches; if a Shorter Casing is Needed, Order No. 66986 and Cut to Required Length.			<b>Note:</b> 293918 Plug-Spark (Resistor Type) (1-1/2" High, 37 mm)
201A	261027	Link-Governor				346	93705	Screw-Deflector
202	261897	Link-Throttle				356	398808	Wire-Ground (Used with Armature Ref. 333 Only)
203	280272	Crank-Bell	269	26099	Wire-Control (54" Long) <b>Note:</b> If Longer Wire is Needed, Specify Length in Inches; if Shorter Wire is Needed, Order No. 26099 and Cut to Required Length.	356A	298693	Wire-Ground (30" Long-Cut to Suit) (Used with Armature Ref. 333A Only)
205	231520	Screw-Shoulder (Used After Code Date 86112300). <b>Note:</b> 93838 Screw-Shoulder (Used Before Code Date 86112400).				358	298989	Gasket Set
209	261642	Spring-Governor Used on Type Nos. 0617, 0618, 0619, 0620. <b>Note:</b> 261034 Spring-Governor Used on Type No. 5919. 261060 Spring-Governor Used on Type Nos. 5911, 5912, 5913, 5917, 5918. 261106 Spring-Governor Used on Type No. 5920.	270	63426	Locknut-Control Wire Casing	363	19069	Puller-Flywheel (Optional Accessory)
			271	290568	Lever Assy.-Control	377	93055	Key-Woodruff, No. 6
			300	394644	Muffler-Exhaust	382	93864	Screw-Choke Link Cover
			304	223188	Housing-Blower (For Vertical Pull Starter) Used on Model 94508 Series Engine.	382A	93545	Screw-Choke Link Cover
			305	94153	Screw-Sem	383	89838	Wrench-Spark Plug
			306	223048	Shield-Cylinder	390	261249	Spring-Diaphragm
			307	93490	Screw-Cylinder Shield Mounting Sem	392	261016	Spring-Diaphragm
			307A	93926	Screw-Shoulder <b>Note:</b> 93490 Screw-Hex Head Used on Type Nos. above 5900.	392A	260455	Spring-Fuel Pump Diaphragm
219	394044	Oil Slinger Assembly <b>Note:</b> 294652 Oil Slinger Gear and Bracket Used on Type Nos. 5911, 5912, 5913, 5917, 5918.	309	395488	Armature Assembly (Less Trigger Coil)	394	299637	Diaphragm-Carburetor
			324	223006	Screen-Rotating	394A	391681	Diaphragm-Carburetor
			331	223047	Washer-Flywheel	396	270571	Gasket-Choke Link Cover
227	491482	Lever Assy.-Governor (Used After Code Date 88011000).	332	92284	Nut-Flywheel	397	211678	Cover-Choke Link
227A	396504	Lever Assy.-Governor (Used Before Code Date 88011100).	333	397316	Armature-Magneto	414	223932	Washer (Used After Code Date 86112300). <b>Note:</b> 220982 Washer (Used Before Code Date 86112400).
			333A	395489	Armature-Magneto	432	221377	Cap-Spring
228	93758	Screw-Hex. Hd.	334	93381	Screw-Armature Mounting Sem	508	93158	Screw-Sem
230	220680	Washer	335	93435	Screw-Armature and Governor Blade Mounting Sem	524	271485	Seal-Filler Tube
265	22372	Clamp-Casing	337	298809	Plug-Spark (1-1/2" High, 37 mm)	529	280368	Grommet-Breather
267	93469	Screw-Clamp Mtg.				534	93928	Screw-Air Cleaner (4-3/8" Long)
						534A	93865	Screw-Air Cleaner (3-7/8" Long)
						535	270579	Element-Air Cleaner
						536	394214	Cleaner Assembly-Air
						552	230732	Bushing-Governor Shaft

\* Included in Gasket Set-  
Part No. 298989.

# 94500 to 94599

REF. NO.	PART NO.	DESCRIPTION	REF. NO.	PART NO.	DESCRIPTION	REF. NO.	PART NO.	DESCRIPTION
562	92613	Bolt-Carriage (Governor)	625	298775	Tube-Fuel Intake	832	399637	Guard-Muffler Bracket
592	231083	Nut-Hex (Governor)	634	270167	Washer-Throttle Shaft (Felt)	851	221798	Terminal-Ignition Cable
608	395977	Starter Assembly-Rewind (3 o'clock)	635	66538	Elbow-Spark Plug	869	211172	Seat-Intake Valve (Standard)
	<b>Note:</b>	398236 Starter Assy.-Rewind (9 o'clock)	643	280374	Cup-Air Cleaner			(Used After Code Date 88070100).
		Used on Type No. 5913.	643A	280268	Support-Air Cleaner Element		<b>Note:</b>	210879 Seat-Intake Valve
611	297219	Pipe-Fuel (Long)	655	222057	Anchor-Spring			(Used Before Code Date 88063000).
612	296811	Pipe-Fuel (Short)	670	94047	Spacer-Fuel Tank	870	211291	Seat-Exhaust Valve (Standard)
613	93935	Screw-Muffler Mounting	676	397931	Deflector-Exhaust	871	231348	Guide-Exhaust Valve
614	93306	Pin-Cotter	676A	393756	Deflector-Exhaust		<b>Note:</b>	63709 Guide-Intake Valve
615	93307	Retainer-E-Ring	681	395508	Needle Valve			(Replacement Only)
616	491405	Crank-Governor & Retainer Assy. (Used After Code Date 88011000).	681A	393451	Needle Valve	897	394970	Trigger Coil
616A	394075	Crank-Governor (Used Before Code Date 88011100).	725	223725	Guard-Heat Deflector	901	490819	Bracket-Bell Crank (Used After Code Date 86112300).
617	270344	Seal-Intake Tube	741	261533	Gear-Timing		<b>Note:</b>	223083 Bracket-Bell Crank
620	394056	Plate-Carburetor Control	764	396082	Starter Assembly-Vertical Pull			(Used Before Code Date 86112400).
620A	299974	Plate-Carburetor Control	765	395914	Housing-Vertical Pull Starter	901A	223004	Bracket-Bell Crank
621	396847	Switch-Stop (Used After Code Date 85041700).	766	280022	Pulley-Rope (Small)	902	280271	Grommet-Screen
	<b>Note:</b>	297472 Switch-Stop (Used Before Code Date 85041800).	767	231048	Pin-Small Rope Pulley (7/16" Long)	939	394929	Shaft Assy.-Choke
			768	299948	Pulley and Gear Assy.	940	222403	Guard-Flywheel
			769	66734	Rope-Vertical Pull Starter	949	396579	Guard-Rewind Starter
			771	299961	Clip-Vertical Pull Starter	988	223600	Muffler-Bracket
			774	280121	Insert-Starter Handle	1012	280414	Retainer-Link
			775	280036	Grip-Starter Rope	1016	490817	Spacer
			776	222049	Guide-Rope	1019	491082	Label Kit
			777	390066	Spring-Vertical Pull Starter			
			778	280021	Cover-Vertical Pull Starter Cover			

\* Included in Gasket Set-Part No. 298989.