

91700 to 91799

Illustrated Parts List Model Series

91700 to 91799

Non-Compliance

Compliance

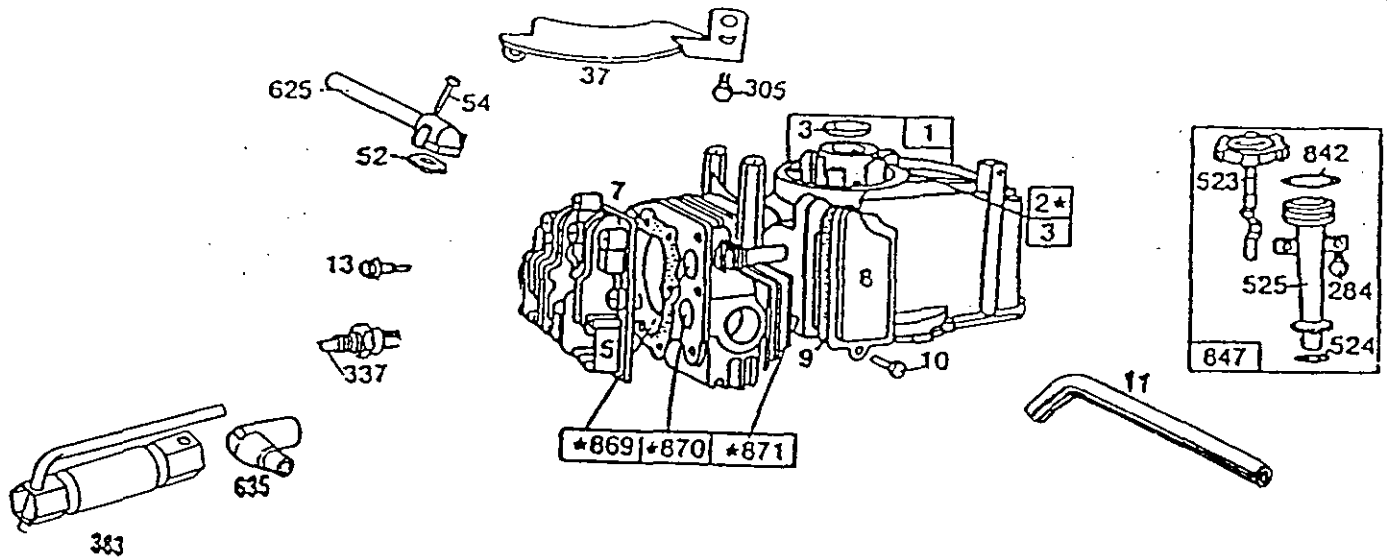
TYPE NUMBERS
0015, 0025, 0100,
0101, 0103, 0106,
0120 through 0133
0180, 0181.

TYPE NUMBERS
3000, 3006, 3036.

**TO FIND
THE CORRECT NUMBER OF THE PART YOU NEED:
FOLLOW THE INSTRUCTIONS BELOW**

- A. Refer to Engine Model, Type and Code Number that is stamped on the blower housing of engine. Engine type numbers such as 0123 01 are listed only as 0123 in most instances. The two digits (01 or 02, etc.) to the right of the space may be required for more accurate parts identification in some instances. Select the Illustrated Parts List covering the correct Model Series and Type Number.
- B. Refer to the Illustrations and compare the original part with Illustration. The number next to the illustration is the Reference Number. Assemblies include all parts shown in frames. All parts shown in assembly frames having individual reference numbers can be purchased separately.
- C. After the Reference Number has been identified, refer to the Numerical text, where Reference and Primary Part Number are listed. **THE PRIMARY PART IS USED ON ALL TYPE NUMBERS EXCEPT THOSE TYPE NUMBERS UNDER "NOTE."**
- D. If a "Note" appears below the Primary Part Number, it means that this part differs from the Primary Part for certain types. If your Type number is listed under "Note," order the part referred to at the "Note."
- E. If your Engine Type Number does not appear after any part number listed under "Note," use the Primary Part Number.
- F. For Engine Type Numbers not covered by this book, check other Parts Lists having the same engine model or contact your source of supply.

91700 to 91799

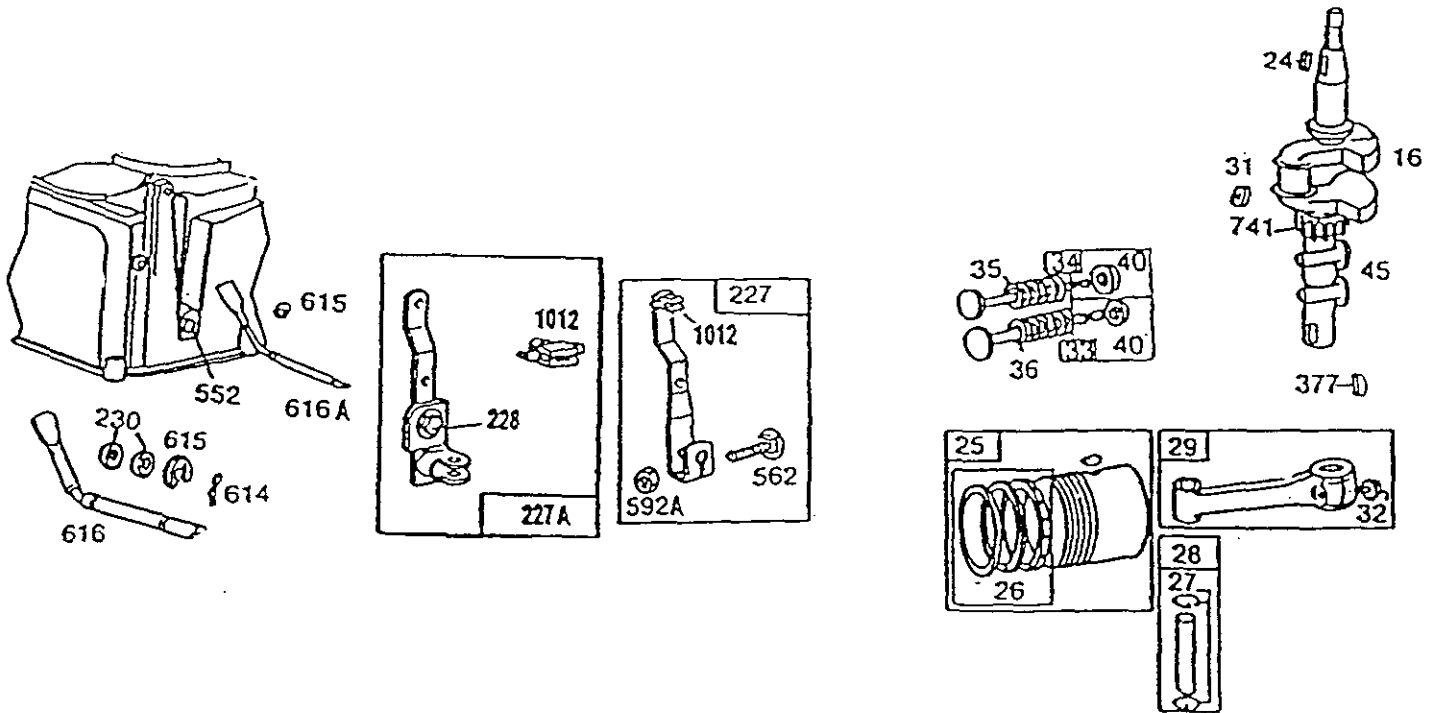


1012 LABEL KIT

★ **REQUIRES SPECIAL TOOLS TO INSTALL. SEE REPAIR INSTRUCTION MANUAL.**

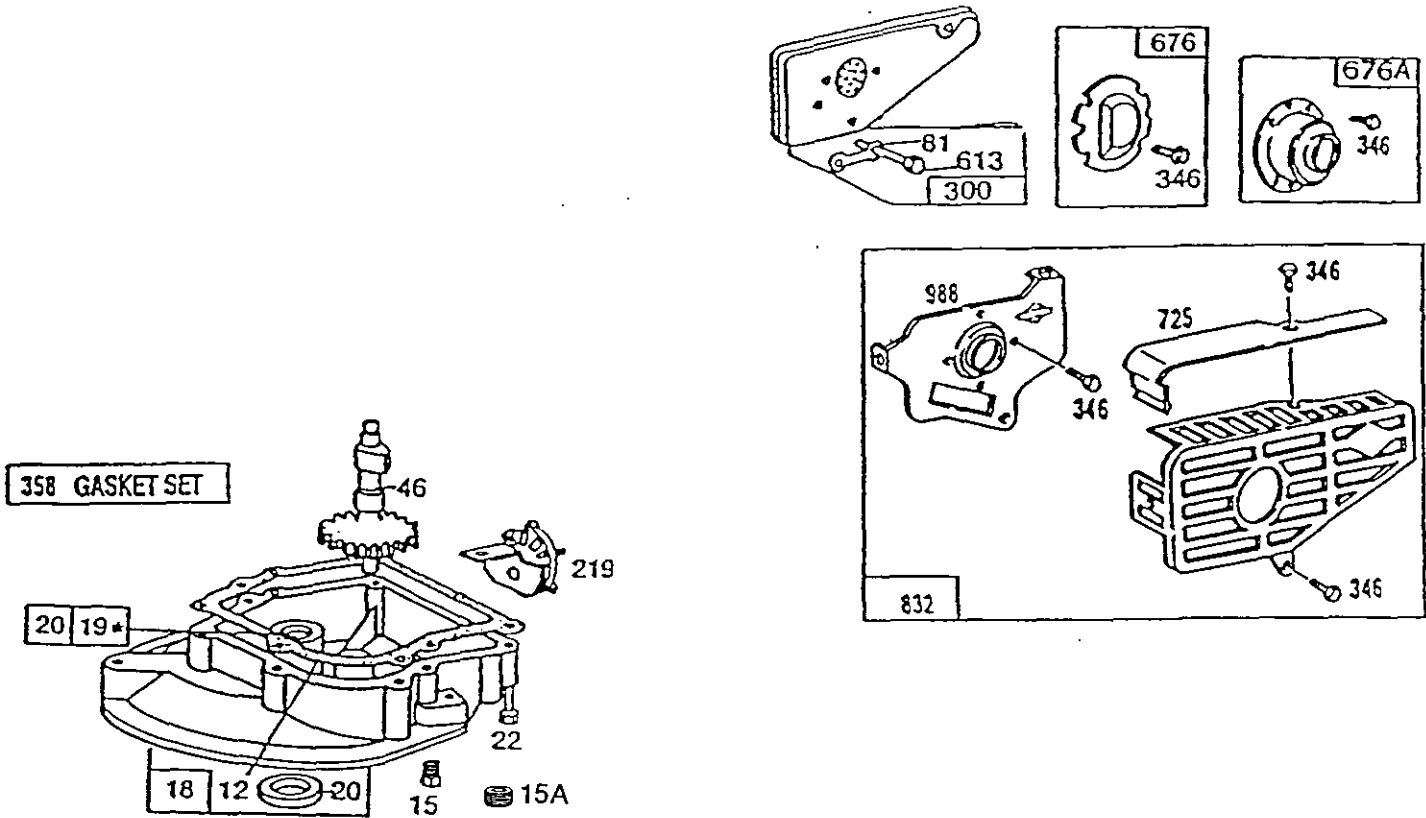
REF. NO.	PART NO.	DESCRIPTION	REF. NO.	PART NO.	DESCRIPTION	REF. NO.	PART NO.	DESCRIPTION
1	399163	Cylinder Assembly	337		Plug-Spark See Last Pages.	847	398010	Filler Group-Oil (For Rewind Start Only).
2	293708	Bushing-Cylinder	383	89838	Wrench-Spark Plug		398031	Filler Group-Oil (For Electric and Vertical Pull Starters).
3	★299819	Seal-Oil	523	398012	Cap With Dipstick-Oil Filler (For Rewind Start Only).	869	211172	Seat-Intake Valve (Standard) (Used After Code Date 88070100).
5	213012	Head-Cylinder		398033	Cap With Dipstick-Oil Filler (For Electric and Vertical Pull Starters).			Note: 210879 Seat-Intake Valve (Used Before Code Date 88063000).
7	★272170	Gasket-Cylinder Head	524	★271485	Seal-Filler Tube	870	211291	Seat-Exhaust Valve (Standard)
8	298383	Breather-Valve Chamber	525	280504	Tube-Oil Filler (For Rewind Start Only).	871	231348	Guide-Exhaust Valve Note: 63709 Guide-Intake Valve (Brass) See Repair Instruction Manual.
9	★270239	Gasket-Valve Cover		280508	Tube-Oil Filler (For Electric and Vertical Pull Starters).	1019	491081	Label Kit
10	93394	Screw-Breather Mounting	625	398360	Tube-Fuel Intake			
11	231406	Tube-Breather	635	66538	Elbow-Spark Plug			
13	93111	Screw-Cylinder Head	842	270920	Seal-Filler Cap			
37	223150	Guard-Flywheel						
52	★270345	Gasket-Intake Elbow						
54	93485	Screw-Intake Elbow						
284	94073	Screw-Clamp Mounting						
305	94153	Screw-Blower Housing Mounting						

★ Included in Gasket Set-Part No. 298989.



REF. NO.	PART NO.	DESCRIPTION	REF. NO.	PART NO.	DESCRIPTION	REF. NO.	PART NO.	DESCRIPTION
16		Crankshaft See Last Pages.		298985	Ring Set-Piston (.030" O.S.)	227A	491481	Lever Assy.-Governor (Used Before Code Date 8801100).
24	222698	Key-Flywheel	27	26026	Lock-Piston Pin			
25	298904	Piston Assy. (Std.)	28	298909	Pin Assembly-Piston (Standard)	228	93758	Screw-Hex. Hd.
	298905	Piston Assy. (.010" O.S.)		298908	Pin Assembly-Piston (.005" O.S.)	230	220680	Washer
	298906	Piston Assy. (.020" O.S.)	29	294201	Rod Assy.-Connecting Note: For Conn. Rod With .020" Undersize Crankpin Bore- Order No. 296079 .	377	93065	Key-Woodruff
	298907	Piston Assy. (.030" O.S.)				552	230732	Bushing-Gov. Shaft
MODEL 91700 SERIES PISTON RING SETS:			31	222282	Washer-Flat	562	92613	Bolt-Carriage
		Note: For Chrome Piston Ring Set (Std. Size) Order No. 299742 .	32	94404	Screw-Conn. Rod	592A	231082	Nut-Hex.
26	298982	Ring Set-Piston (Standard)	33	296676	Valve-Exhaust	614	93306	Pin-Cotter
	298983	Ring Set-Piston (.010" O.S.)	34	296677	Valve-Intake	615	93307	Retainer-E-Ring
	298984	Ring Set-Piston (.020" O.S.)	35	260552	Spring-Intake Valve	616	491405	Governor Crank and Retainer Assy. (Used After Code Date 88011000).
			36	26478	Spring-Exhaust Valve	616A	394075	Crank-Governor (Used Before Code Date 8801100).
			40	93312	Retainer-Valve Spring			
			45	230173	Tappet-Valve	741	261533	Gear-Timing
			227	491482	Lever Assy.-Governor (Used After Code Date 88011000).	1012	280414	Retainer-Link

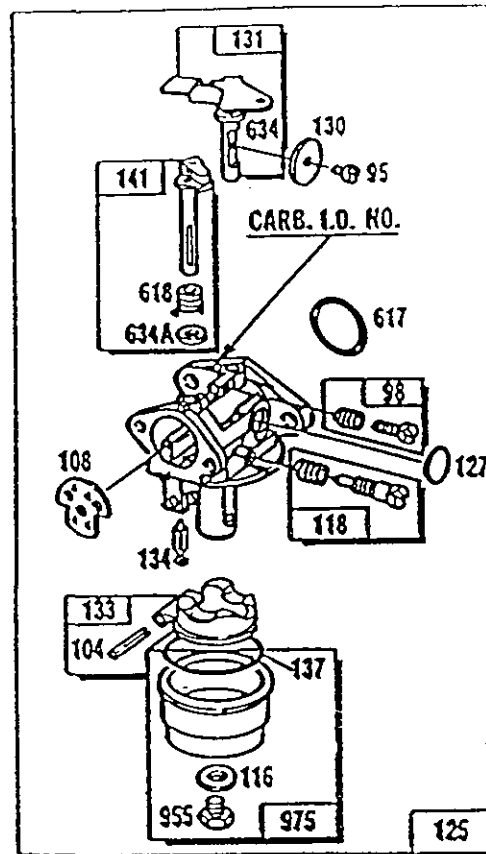
91700 to 91799



★ REQUIRES SPECIAL TOOLS TO INSTALL. SEE REPAIR INSTRUCTION MANUAL.

REF. NO.	PART NO.	DESCRIPTION	REF. NO.	PART NO.	DESCRIPTION	REF. NO.	PART NO.	DESCRIPTION
12	★270833	Gasket-Crankcase (.015" Thick, Standard)	15A	94720	Plug-Oil Drain (Socket Head)	300	394644	Muffler-Exhaust
	★270895	Gasket-Crankcase (.005" Thick)	18	395384	Sump-Engine	346	93705	Screw-Sem
	★270896	Gasket-Crankcase (.009" Thick)	19	293709	Bushing-Engine Sump (Plain)	358	298989	Gasket Set
15	91084	Plug-Oil Drain (Square Head)	20	★391483	Seal-Oil	613	93935	Screw-Muffler Mtg.
			22	93032	Screw-Mtg. Sem	676	393756	Deflector-Exhaust
			46	493747	Gear-Cam	676A	397931	Deflector-Exhaust
			81	223256	Lock-Muffler Screw	725	223725	Shield-Heat
			219	394044	Oil Slinger Assembly	832	399637	Muffler Guard Group
						988	223600	Bracket-Muffler Guard

★ Included in Gasket Set-Part No. 298989.



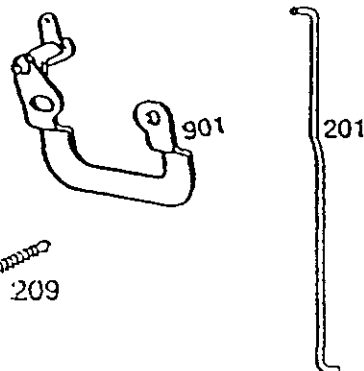
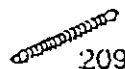
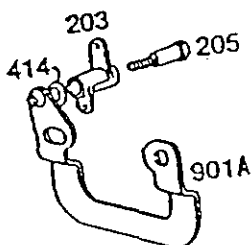
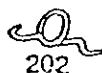
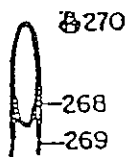
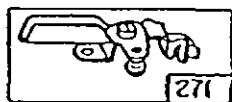
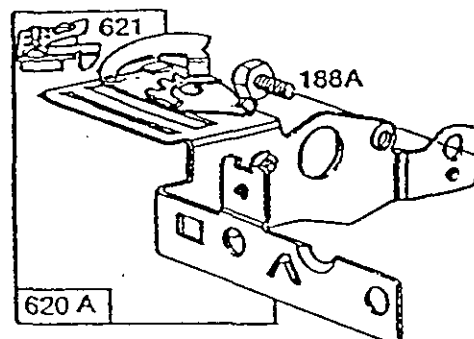
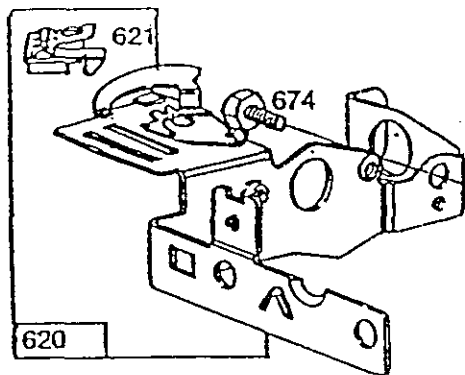
121 CARBURETOR OVERHAUL KIT

977 CARBURETOR GASKET SET

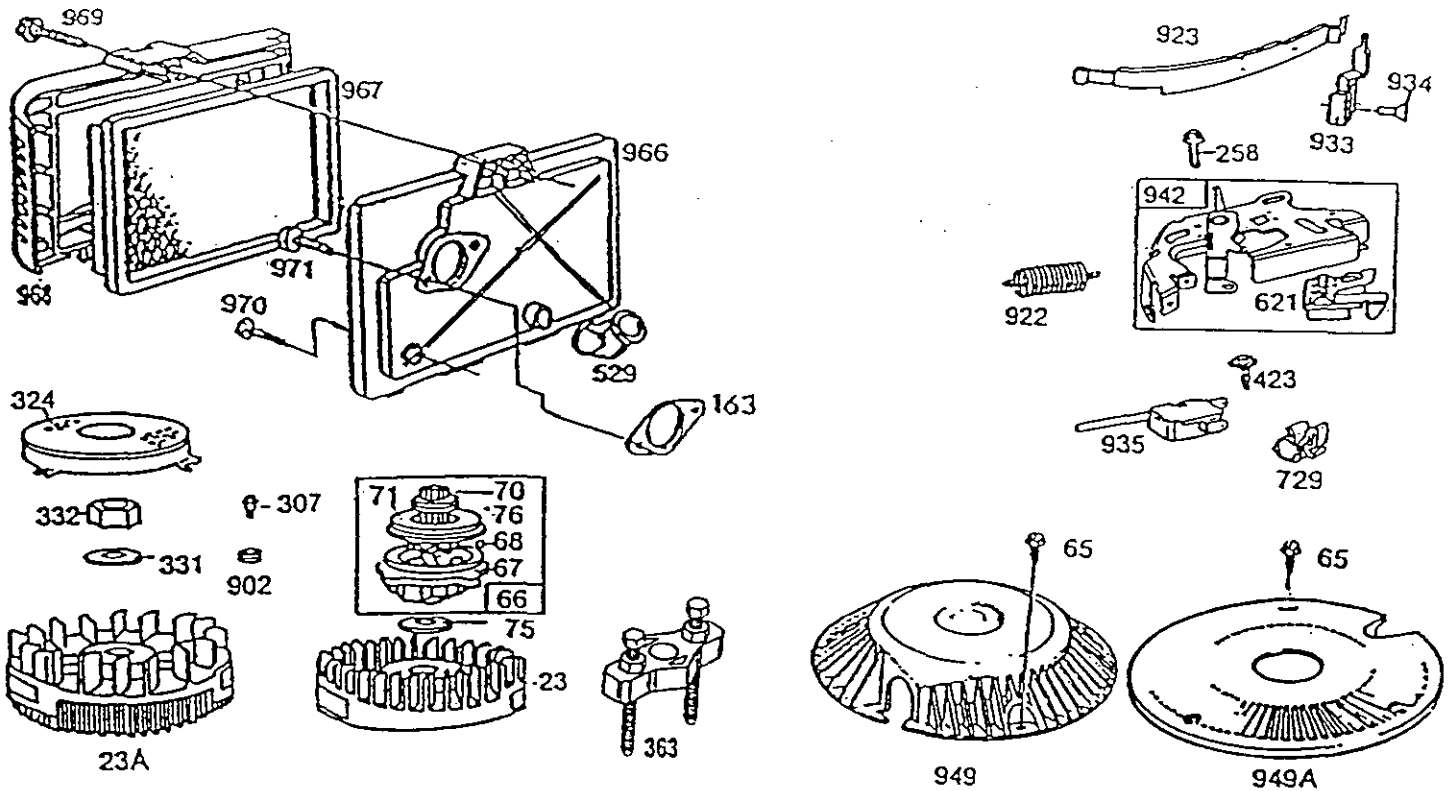
REF. NO.	PART NO.	DESCRIPTION	REF. NO.	PART NO.	DESCRIPTION	REF. NO.	PART NO.	DESCRIPTION	
95	94098	Screw—Throttle Valve Mounting		Note: 492072	Carburetor Overhaul Kit (For LMS-4 or XXXX4)	137	◆◆	Gasket—Bowl (Sold in Kit Only).	
98	398185	Screw—Idle Adjustment		124	94525	Screw—Carburetor Mounting	141	398186	Shaft—Choke
104	◆231371	Pin—Float Hinge Series		125	492498	Carburetor Assembly	617	◆◆270344	Seal—Fuel Intake Tube
108	223471	Valve—Choke		127	◆	Plug—Welch (Sold in Kit Only).	618	262035	Spring—Choke
116	◆◆	Gasket—Sealing (Sold in Kit Only).		130	223470	Valve—Throttle	634	◆◆	Washer—Throttle Shaft (Sold in Kit Only).
118	◆492500	Valve and Spring—Needle (For LMS-14)		131	398673	Shaft and Lever—Throttle	634A	◆◆	Seal—Choke (Sold in Kit Only).
	Note: 398670	Valve and Spring—Needle (For LMS-4 or XXXX4)		133	398187	Float Assy.—Carburetor	955	231373	Screw—Bowl Mtg.
121	492495	Carburetor Overhaul Kit (For LMS-14)		134	◆398188	Valve—Inlet (Includes Seat)	975	398191	Bowl Assembly—Carburetor
							977	490937	Gasket Set—Carburetor

- ◆ Included in Carburetor Overhaul Kit—See Ref. 121.
- ◆◆ Included in Carburetor Gasket Set—Part No. 490937.

91700 to 91799



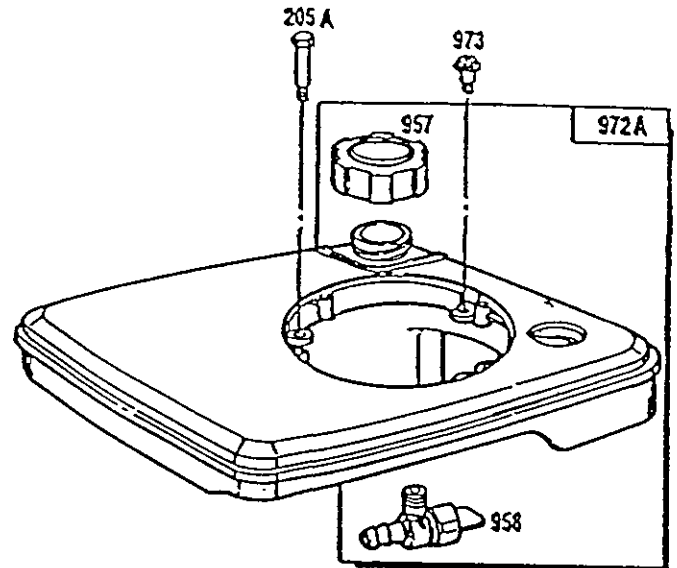
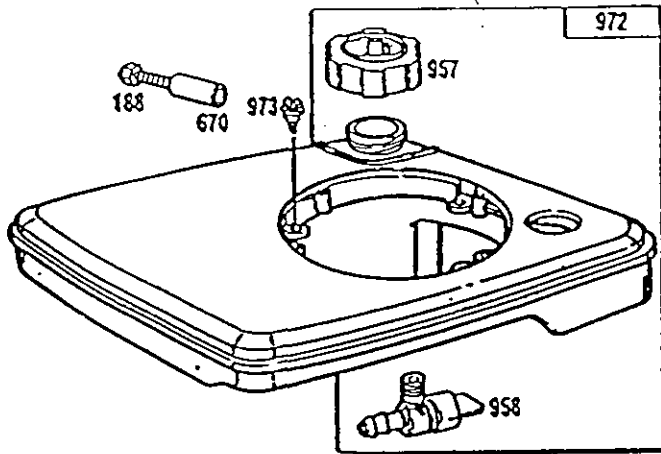
REF. NO.	PART NO.	DESCRIPTION	REF. NO.	PART NO.	DESCRIPTION	REF. NO.	PART NO.	DESCRIPTION
188A	93847	Screw—Mounting			Needed, Order Part No. 66986 and Cut to Required Length.	414	220982	Washer (Used Before Code Date 87020900).
201	262066	Link—Governor				620	398932	Plate—Carburetor Control Used on Model 91702 Series Engines.
202	262065	Link—Throttle				620A	398861	Plate—Carburetor Control Used on Model 91708 and 91707 Series Engines.
203	280533	Crank—Bell (Used Before Code Date 87020900).	269	26099	Wire—Control (54" Long) Note: If Longer Wire is Needed, Specify Length in Inches; if Shorter Wire is Needed, Order Part No. 26099 and Cut to Required Length.	621	396847	Switch—Stop
205	93838	Screw—Shoulder (Used Before Code Date 87020900).	270	63426	Locknut—Control Wire Casing	674	94117	Screw—Bracket Mtg.
209		Spring—Governor See Last Pages.	271	290568	Lever Assembly—Control	901	398368	Bracket—Bell Crank
268	66986	Casing—Control Wire (48" Long) Note: If Longer Casing is Needed, Specify Length in Inches; if a Shorter Casing is				901A	398368	Bracket—Bell Crank



REF. NO.	PART NO.	DESCRIPTION	REF. NO.	PART NO.	DESCRIPTION	REF. NO.	PART NO.	DESCRIPTION
23	395653	Flywheel-Magneto	307	93926	Screw-Shoulder	934	94037	Screw-Band Brake Pivot
23A	394848	Flywheel-Magneto	324	223006	Screen-Rotating	935	398758	Switch-Group
	Note: 394066	Flywheel-Magneto	331	223047	Washer-Flywheel	942	493248	Control Plate-Band Brake
		Used on Type Nos. 0015, 0025, 0120.	332	92284	Nut-Flywheel		Note: 493249	Control Plate-Band Brake
65	94058	Screw-Cover Mtg.	334	93381	Screw-Armature Mounting Sem			Used on Type No. 3036.
66	399671	Clutch Assembly-Rewind Starter	363	19069	Puller-Flywheel	949	280502	Cover-Finger Guard (Rewind Starter Only)
67	394897	Housing-Starter Clutch	423	93758	Screw-Sem	949A	280510	Cover-Finger Guard (Vertical Pull Starter)
68	63770	Ball-Clutch	529	280524	Grommet-Breather		Note: 280509	Cover-Finger Guard (Electric Start Only)
70	298799	Ratchet-Rewind Starter	621	396847	Switch-Stop	966	492650	Base-Air Cleaner
71	394506	Washer-Clutch Retainer	729	280470	Clip-Wire	967	397795	Filter-Air
75	224061	Washer	902	280271	Grommet-Screen	968	280501	Cover-Air Cleaner
76	68238	Washer-Ratchet Sealing	922	261647	Spring-Band Brake	969	94120	Screw-Cover Mtg.
163	*271840	Gasket-Air Cleaner	923	394867	Pivot-Band Brake	970	94118	Screw-Hex. Hd.
258	94018	Screw-Hex. Hd.	933	223448	Pivot-Band Brake (Used on Engines With Band Brake).	971	94121	Screw-Air Cleaner
				Note: 223278	Pivot-Band Brake (Used on Engines Without Band Brake).			

* Included in Gasket Set-Part No. 298989.

91700 to 91799



REF. 972

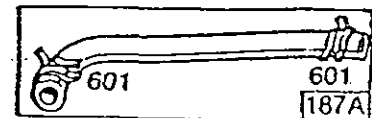
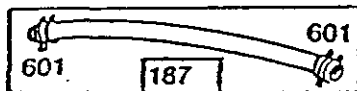
FUEL TANKS FOR ENGINES WITH REWIND START ONLY.

COLOR	BLACK	GREY	AMER. RED(I/C)	SUN YELLOW
PART NO.	490622	490808	490806	490804

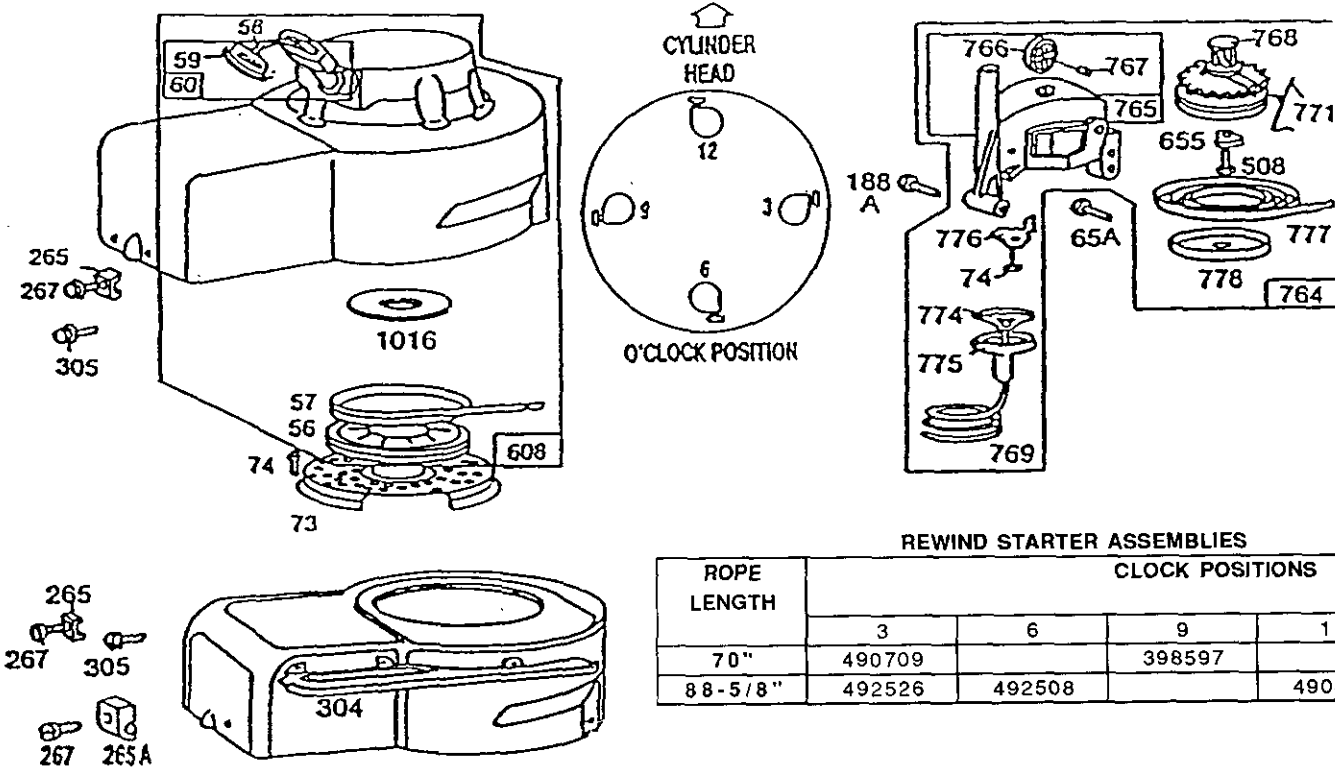
REF. 972A

FUEL TANKS FOR ENGINES WITH VERTICAL PULL OR ELECTRIC STARTERS.

COLOR	BLACK	AMER. RED(I/C)
PART NO.	490623	490805



REF. NO.	PART NO.	DESCRIPTION	REF. NO.	PART NO.	DESCRIPTION	REF. NO.	PART NO.	DESCRIPTION
187	393815	Hose-Fuel (Cut to Suit)	188	398540	Screw-Fuel Tank and Starter Mounting (Includes Washer)	972		Tank Assembly-Fuel See Chart Above.
187A	398367	Hose & Clamps Assy.-Fuel (Molded)	205A	94141	Screw-Hex. Hd.	972A		Tank Assembly-Fuel See Chart Above.
	Note: 398396	Hose and Clamp Assy.-Fuel (Molded) Used on Model 91702 Series Engines.	601	93053	Clamp-Hose	973	94114	Screw-Hex. Hd.
			670	280512	Spacer-Fuel Tank			
			957	397974	Cap Assembly-Fuel			
			958	399517	Valve-Fuel Shut-Off			

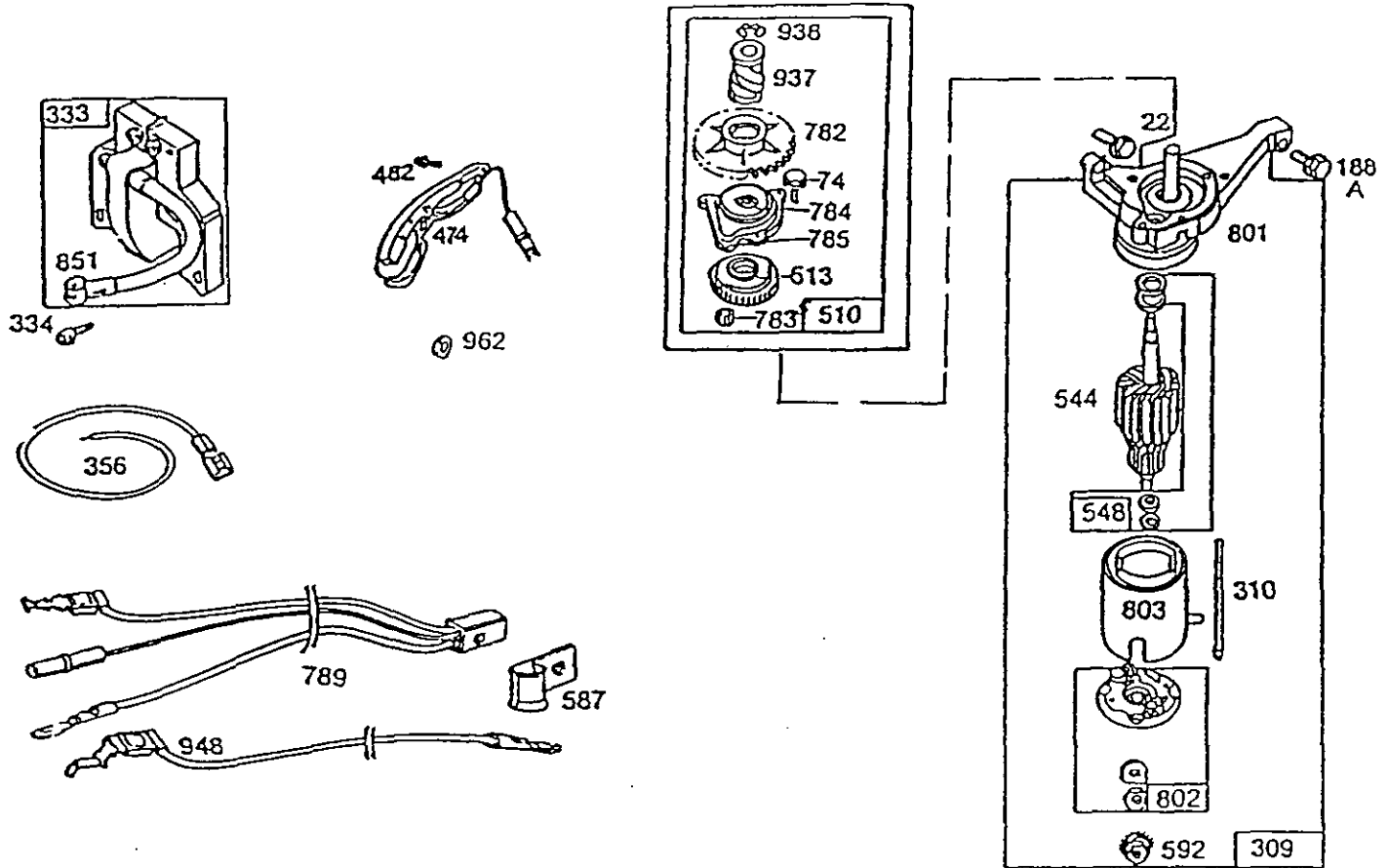


REWIND STARTER ASSEMBLIES

ROPE LENGTH	CLOCK POSITIONS			
	3	6	9	12
70"	490709		398597	
88-5/8"	492526	492508		490382

REF. NO.	PART NO.	DESCRIPTION	REF. NO.	PART NO.	DESCRIPTION	REF. NO.	PART NO.	DESCRIPTION
56	280439	Pulley-Starter		Note: 398493	Housing-Blower	767	231048	Pin-Small Rope Pulley (7/16" Long)
57	490179	Spring-Rewind Starter			Used on Model 91707 and 91708 Series	768	299948	Pulley and Gear Assembly-Starter
58	280406	Rope-Rewind Starter (81" Long)			Engines With Band Brake	769	66734	Rope-Vertical & Side Pull Starter (48-5/8")
		Note: If Longer Rope is Needed Order No. 280399.	305	94153	Screw-Blower Housing Mounting			Note: If Longer Rope is Needed, Order Part No. 280399.
59	396892	Insert-Starter Grip	508	93158	Screw-Sem	771	299961	Clip-Vertical Pull Starter
60	393152	Grip-Starter Rope	608		Starter Assy.-Rewind	774	280121	Insert-Starter Handle
65A	93587	Screw-Vertical Pull Starter Mounting		Note: 398983	Starter Assy.-Rewind (6 o'clock)	775	280036	Grip-Starter Rope
73	221661	Screen-Starter Pulley			Used on Type No. 3000.	776	222049	Guide-Rope
74	93490	Screw-Sem	655	222057	Anchor-Spring	777	390066	Spring-Vertical Pull Starter
188A	93847	Screw-Mounting	764	398753	Starter Assembly-Vertical Pull	778	280021	Cover-Vertical Pull Starter Pulley
265	221535	Clamp-Casing	765	398683	Housing-Starter Vertical Pull	1016	490817	Spacer
265A	213146	Clamp-Casing	766	280022	Pulley-Rope (Small)			
267	93686	Screw-Clamp Mtg.						
304	398494	Housing-Blower						
		Used on Model 91707 and 91708 Series						
		Engines Without Band Brake.						

91700 to 91799



REF. NO.	PART NO.	DESCRIPTION	REF. NO.	PART NO.	DESCRIPTION	REF. NO.	PART NO.	DESCRIPTION
22	93032	Screw-Mtg. Sem	513	394815	Clutch Assembly-Electric Starter	789	397916	Harness-Wiring
74	93490	Screw-Sem	544	398636	Armature-Starter			Note: 397637 Harness-Wiring
188A	93847	Screw-Mounting	548	396067	Washer Set-Starter Motor			Used on Type No. 3036.
309	398635	Motor-Starter (12 Volt)	587	220162	Clip-Shield Grounding	801	398244	Bracket Assembly-Drive End
310	94051	Bolt-Starter Motor	592	93991	Nut-Hex.	802	396061	Cap Assembly-End
333	398593	Armature-Magneto	782	280038	Gear-Electric Starter Spur	803	396059	Housing-Starter
334	93381	Screw-Armature Mounting Sem	783	261606	Gear-Electric Starter Pinion	851	221798	Terminal-Ignition Cable
356	398808	Wire-Ground	784	223123	Cover-Electric Starter Clutch Gear	937	280366	Spline-Starter
474	397880	Stator Assembly-Alternator	785	271457	Gasket-Electric Starter Clutch Gear Cover	938	93941	Ring-Retainer
482	94016	Screw-Hex. Hd.				948	397803	Wire-Assembly
510	395727	Drive Kit-Starter				962	231227	Spacer-Alternator

91700 to 91799

REF. NO.	PART NO.	DESCRIPTION	REF. NO.	PART NO.	DESCRIPTION	REF. NO.	PART NO.	DESCRIPTION
16	492748	Crankshaft Note: To Replace Crankshaft Gear Pin, Order Part No. 230978 . 492086 Crankshaft Used on Type Nos. 0122, 0124, 0126, 0129, 0200, 0181. 494034 Crankshaft Used on Type No. 0120.	209	262075	Spring-Governor Note: 262073 Spring-Gov. Used on Type No. 0124. 262074 Spring-Gov. Used on Type Nos. 0121, 0122, 0125, 0180, 0181. 262077 Spring-Gov. Used on Type No. 0120.	337	298809	Plug-Spark (1-1/2" High, 38 mm) Note: 293918 Plug-Spark (Resistor Type) (1-1/2" High, 38 mm) 492167 Plug-Spark (1-7/8" High, 48 mm) 802592 Plug-Spark (Resistor Type) (1-7/8" High, 48 mm)