



Illustrated Parts List

Model Series

091400

TYPE NUMBERS
0120, 0130.

TABLE OF CONTENTS

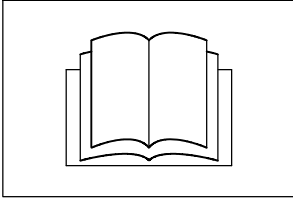
Air Cleaner	4
Blower Housing/Shrouds	5
Camshaft	3
Carburetor	3
Carburetor Overhaul Kit	3
Controls	4
Crankcase Cover/Sump	3
Crankshaft	3
Cylinder	2
Cylinder Head	2
Flywheel	5
Gasket Set - Engine	2
Gasket Set - Valve	2
Governor Spring	4
Ignition	4
Operator's Manual	2
Piston/Rings/Connecting Rod	3
Rewind Starter	5
Warning Label	2



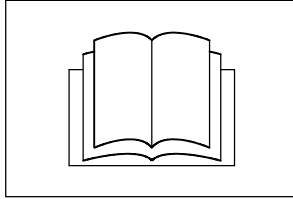
PRINTED IN U.S.A.

COPYRIGHT by BRIGGS & STRATTON CORPORATION
All rights reserved. No part of this material may be reproduced or transmitted, in any form or by any means, electronic or mechanical, including photocopying, recording or by any information storage and retrieval system, without permission in writing from Briggs & Stratton Corporation.

1058 OPERATOR'S MANUAL



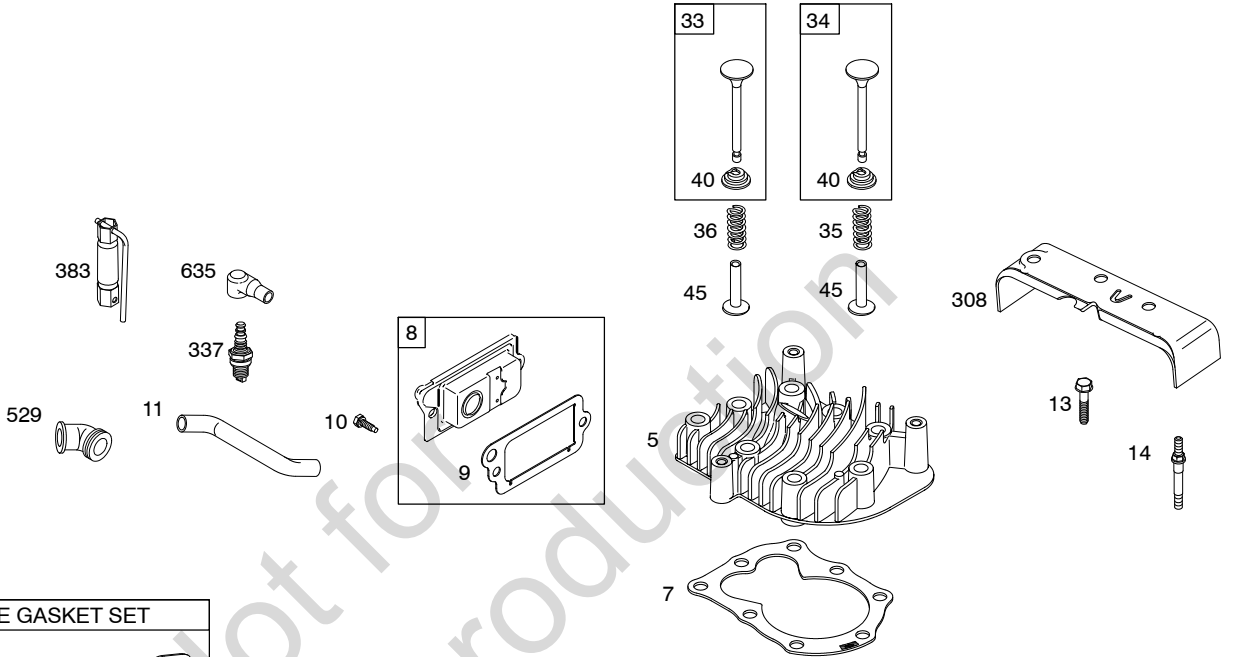
1330 REPAIR MANUAL



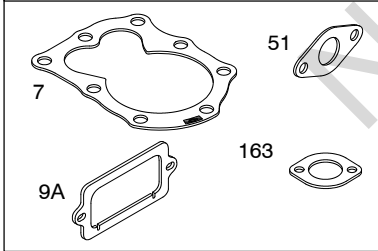
1319 WARNING LABEL

WARNING	
	Read and follow Operating Instructions before running engine.
	Gasoline is flammable. Allow engine to cool at least 2 minutes before refueling.
	Engines emit carbon monoxide, DO NOT run in enclosed area.
	Muffler area temperature may exceed 150°F. Do not touch hot parts.

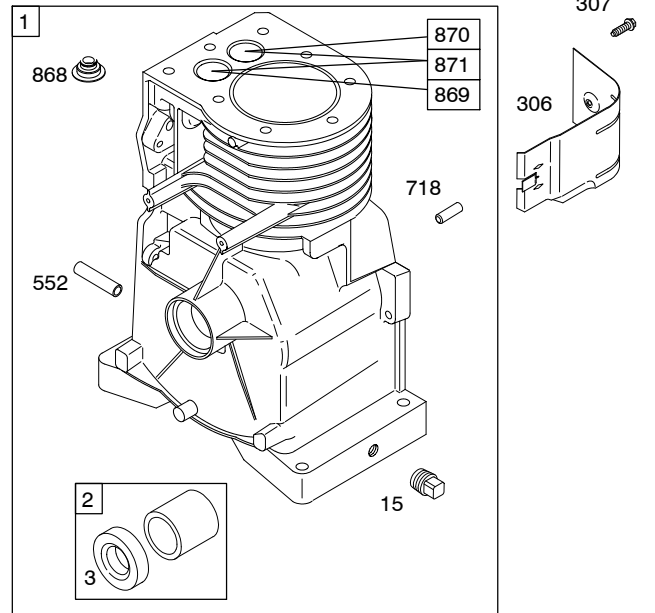
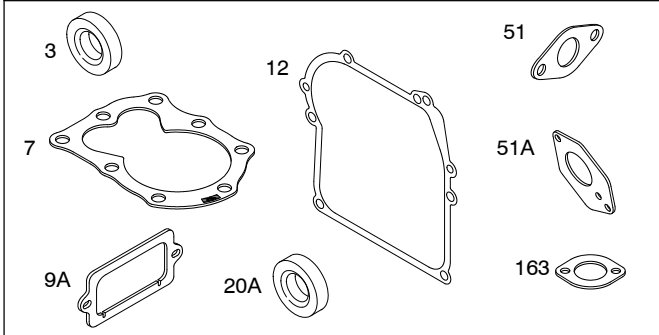
REQUIRED when replacing parts with warning labels affixed.



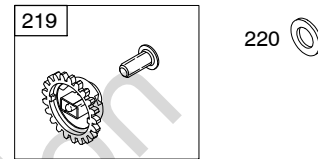
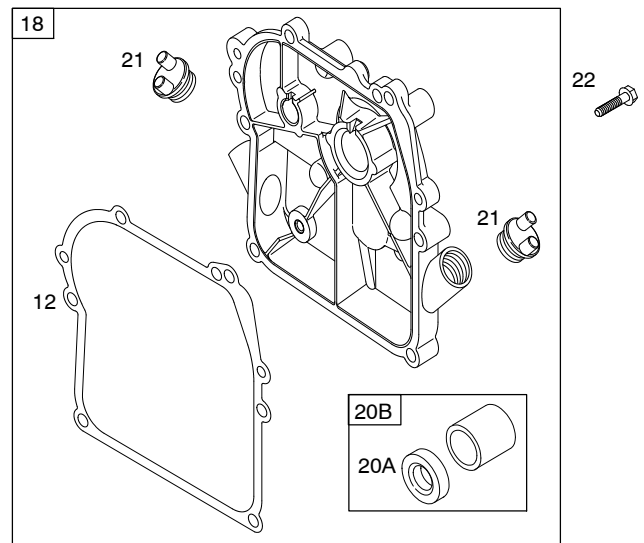
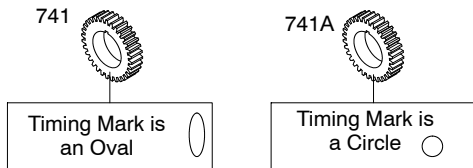
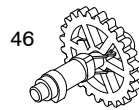
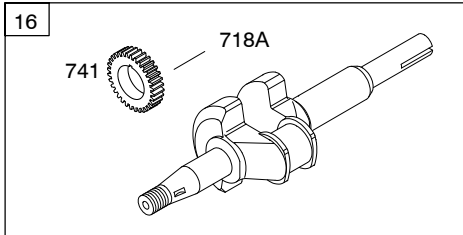
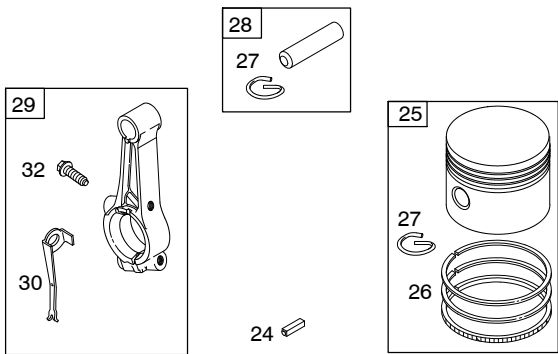
1095 VALVE GASKET SET



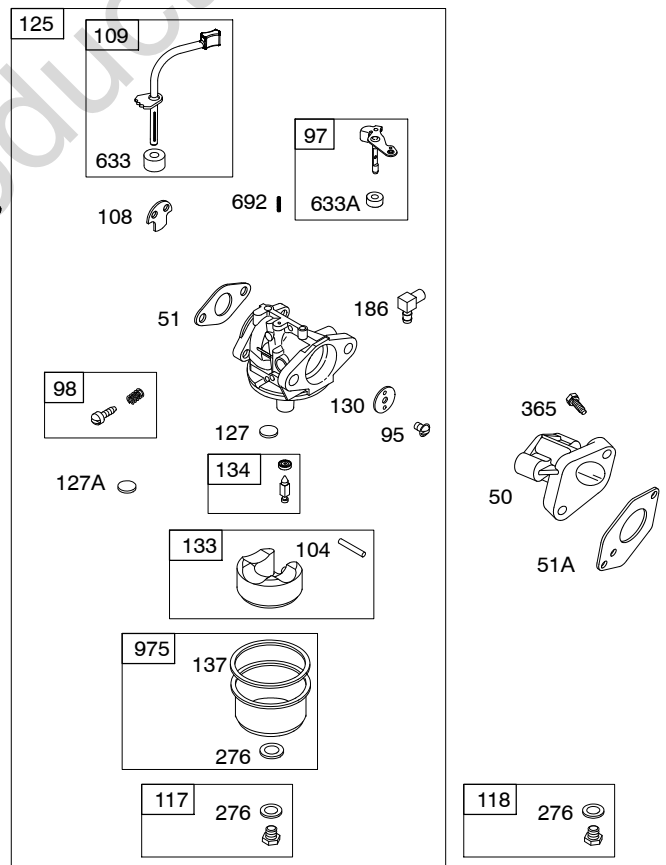
358 ENGINE GASKET SET

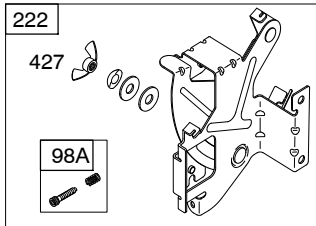


Illustrations cover a range of engines. Parts shown without corresponding text may not be used on your specific engine.
 7152-2 Assemblies include all parts shown in frames. 04/08/2009

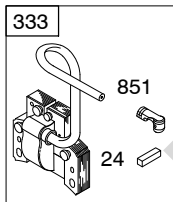
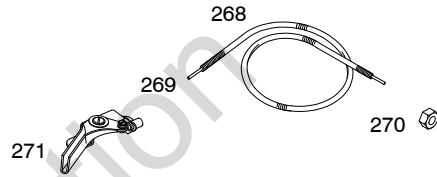
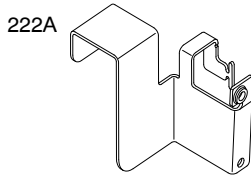
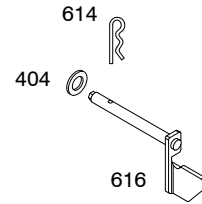
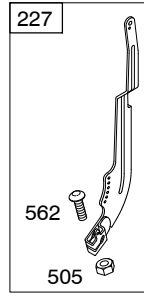


121 CARBURETOR OVERHAUL KIT		
104	134	276
127	137	633
127A	163	633A



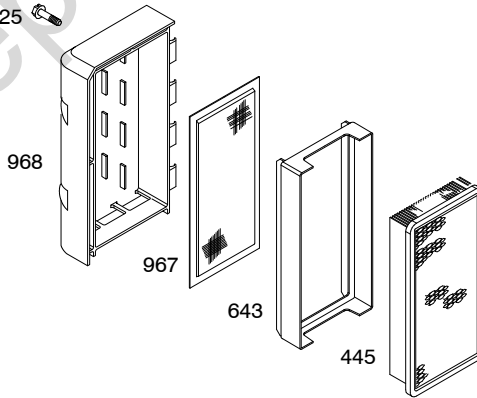


188

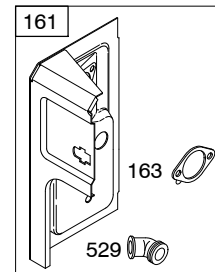


334

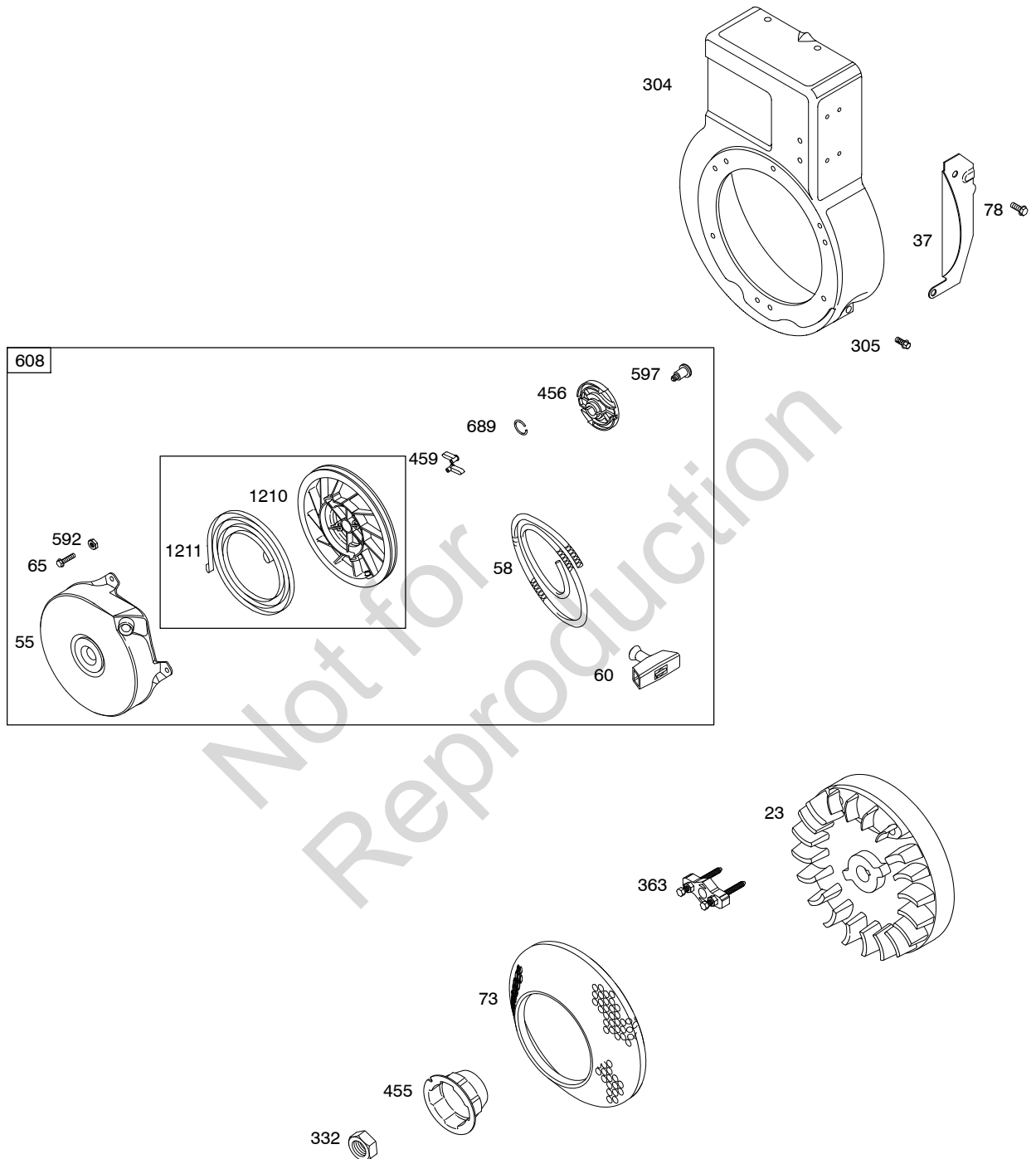
425



971



1036 EMISSIONS LABEL



Illustrations cover a range of engines. Parts shown without corresponding text may not be used on your specific engine.
7152-5 Assemblies include all parts shown in frames. 04/08/2009

091400

REF. NO.	PART NO.	DESCRIPTION	REF. NO.	PART NO.	DESCRIPTION	REF. NO.	PART NO.	DESCRIPTION
1	791357	Cylinder Assembly	21	281658S	Cap-Oil Fill	26	795690	Ring Set (Standard)
2	399269	Kit -Bushing/Seal (Magneto Side)	22	691129	Screw (Crankcase Cover) (1 1/4" Long) Used on Type No(s). 0120, 0130.			(Used After Code Date 08021200).
3	299819S	Seal-Oil (Magneto Side)						----- Note -----
5	790169	Head-Cylinder						795132 Ring Set (Standard)
7	698717	Gasket-Cylinder Head						(Used After Code Date 07072900 and Before Code Date 08021300).
8	791779	Breather Assembly (Used After Code Date 05102400).						790909 Ring Set (Standard)
		----- Note -----						(Used After Code Date 05051800 and Before Code Date 07073000).
		699448 Breather Assembly (Used Before Code Date 05102500).	23	795549	Flywheel			695169 Ring Set (.010" Oversize)
9	695890	Gasket-Breather (Used After Code Date 03031900).	24	222698S	Key-Flywheel			(Used Before Code Date 05051900).
9A	27549S	Gasket-Breather (Used Before Code Date 03032000).	25	795691	Piston Assembly (Standard)			795688 Ring Set (.020" Oversize)
10	691666	Screw (Breather Assembly)						(Used After Code Date 08021200).
11	691246	Tube-Breather						795134 Ring Set (.020" Oversize)
12	692218	Gasket-Crankcase (Standard) (.015" Thick)						(Used After Code Date 05051800 and Before Code Date 08021300).
		----- Note -----						790908 Piston Assembly (Standard)
		270895 Gasket-Crankcase (.005" Thick)						(Used Before Code Date 07073000).
		270896 Gasket-Crankcase (.009" Thick)						795689 Piston Assembly (.020" Oversize)
13	691640	Screw (Cylinder Head)						(Used After Code Date 07072900).
14	690361	Stud (Cylinder Head) (Used in Positions 4, 6 and 8)						792532 Piston Assembly (.020" Oversize)
15	691686	Plug-Oil Drain						(Used After Code Date 05051800 and Before Code Date 07073000).
16	793155	Crankshaft						
18	496903	Cover-Crankcase						
20A	299819S	Seal-Oil (PTO Side)						
20B	691356	Seal-Oil (PTO Side)						

Illustrations cover a range of engines. Parts shown without corresponding text may not be used on your specific engine. 7152-6 Assemblies include all parts shown in frames. 04/08/2009

REF. NO.	PART NO.	DESCRIPTION	REF. NO.	PART NO.	DESCRIPTION	REF. NO.	PART NO.	DESCRIPTION
27	691588	Lock-Piston Pin	98	398185	Kit-Idle Speed (Carburetor)	268	691025	Casing-Control Wire (Cut To Required Length)
28	699659	Pin-Piston (Standard) (Used After Code Date 05051800).	98A	493280	Kit-Idle Speed (Control Bracket)	269	691026	Wire-Control (Cut To Required Length)
		----- Note -----	104	691242	Pin-Float Hinge	270	691027	Nut (Control Wire Casing)
		298909 Pin-Piston (Standard) (Used Before Code Date 05051900).	108	692567	Valve-Choke	271	691028	Lever-Control
		298908 Pin-Piston (.005" Oversize) (Used Before Code Date 05051900).	109	496860	Shaft-Choke	276	271716	Washer-Sealing (Float Bowl)
29	699655	Rod-Connecting (Standard)	117	498981	Jet-Main (Standard)	304	694144	Housing-Blower Used on Type No(s). 0120, 0130.
30	691719	Dipper-Connecting Rod	118	494870	Jet-Main (High Altitude)	305	692198	Screw (Blower Housing)
32	691664	Screw (Connecting Rod)	121	695157	Kit-Carburetor Overhaul	306	690461	Shield-Cylinder
33	497871	Valve-Exhaust	125	496863	Carburetor	307	691660	Screw (Cylinder Shield)
34	296677	Valve-Intake	127	691739	Plug-Welch (5/16" Diameter)	308	690462	Cover-Cylinder Head
35	690520	Spring-Valve (Intake)	127A	694468	Plug-Welch (3/8" Diameter) (Bowl Vent)	332	690662	Nut (Flywheel)
36	690520	Spring-Valve (Exhaust)	130	691181	Valve-Throttle	333	793281	Armature-Magneto Used on Type No(s). 0120, 0130.
37	690463	Guard-Flywheel	133	398187	Float-Carburetor	334	691061	Screw (Magneto Armature)
40	692194	Retainer-Valve	134	398188	Kit-Needle/Seat	337	802592S	Plug-Spark Used on Type No(s). 0120, 0130.
45	691762	Tappet-Valve	137	693981	Gasket-Float Bowl	356	696030	Wire-Stop
46	691998	Camshaft	161	691393	Base-Air Cleaner	358	496865	Gasket Set-Engine
50	691922	Manifold-Intake	163	272948S	Gasket-Air Cleaner	358	496865	Gasket Set-Engine
51	692283	Gasket-Intake	186	692317	Connector-Hose	363	19069	Puller-Flywheel
51A	273113S	Gasket-Intake	188	691637	Screw (Control Bracket)	365	691688	Screw (Carburetor)
54	691689	Screw (Intake Manifold)	202	692351	Link-Mechanical Governor	383	89838S	Wrench-Spark Plug
55	692144	Housing-Rewind Starter	209	691858	Spring-Governor (Yellow)	404	691691	Washer (Governor Crank)
58	691921	Rope-Starter	219	496786	Gear-Governor	425	690670	Screw (Air Cleaner Cover)
60	691915	Grip-Starter Rope	220	691724	Washer (Governor Gear)	427	690355	Nut (Control Bracket)
65	690837	Screw (Rewind Starter)	222	691411	Bracket-Control Used on Type No(s). 0120.	445	494511S	Filter-Air Cleaner Cartridge Used on Type No(s). 0120, 0130.
73	699850	Screen-Rotating	222A	698681	Bracket-Control Used on Type No(s). 0130.			
78	690364	Screw (Flywheel Guard)	227	691412	Lever-Governor Control			
95	691636	Screw (Throttle Valve)	232	691846	Spring-Governor Link			
97	496861	Shaft-Throttle						

Illustrations cover a range of engines. Parts shown without corresponding text may not be used on your specific engine.

091400

REF. NO.	PART NO.	DESCRIPTION	REF. NO.	PART NO.	DESCRIPTION	REF. NO.	PART NO.	DESCRIPTION
455	691236	Cup-Flywheel	635	66538S	Boot-Spark Plug Used on Type No(s). 0120, 0130.	870	691702	Seat-Valve (Exhaust)
456	692299	Plate-Pawl Friction	643	69190S	Retainer-Air Filter	871	262001	Bushing-Valve Guide
459	281505S	Pawl-Ratchet	689	691855	Spring-Friction	967	492889	Filter-Pre Cleaner
505	691251	Nut (Governor Control Lever)	692	690572	Spring-Detent	968	691327	Cover-Air Cleaner
529	692187	Grommet (45 Degree)	718	690959	Pin-Locating (Cylinder)	971	690370	Screw (Air Cleaner Base to Carburetor)
552	690508	Bushing-Governor Crank	718A	499047	Pin-Locating (Crankshaft)	975	493640	Bowl-Float
562	92613	Bolt (Governor Control Lever)	741	791124	Gear-Timing (Timing Mark is an Oval {0}) (Used After Code Date 05013000).	1036		Label-Emissions (Available From A Briggs & Stratton Authorized Dealer)
592	690800	Nut (Rewind Starter)	741A	691805	Gear-Timing (Timing Mark is a Circle {O}) (Used Before Code Date 05013100).	1058	277098	Operator's Manual
597	691696	Screw (Pawl Friction Plate)	851	493880S	Terminal-Spark Plug	1095	498525	Gasket Set-Valve
608	499706	Starter-Rewind Used on Type No(s). 0120, 0130.	868	697338	Seal-Valve	1210	499901	Pulley/Spring Assembly (Pulley)
614	691620	Pin-Cotter	869	691701	Seat-Valve (Intake)	1211	499901	Pulley/Spring Assembly (Spring)
616	692016	Crank-Governor				1319	794467	Label-Warning
633	693867	Seal-Choke/Throttle Shaft (Choke)				1330	270962	Repair Manual
633A	691321	Seal-Choke/Throttle Shaft (Throttle)						

Illustrations cover a range of engines. Parts shown without corresponding text may not be used on your specific engine.
 7152-8 Assemblies include all parts shown in frames. 04/08/2009

Not for
Reproduction

Not for
Reproduction

Not for
Reproduction

Not for
Reproduction

