



084200

Illustrated Parts List

Model Series

084200

TYPE NUMBERS
0121, 0198, 0199.

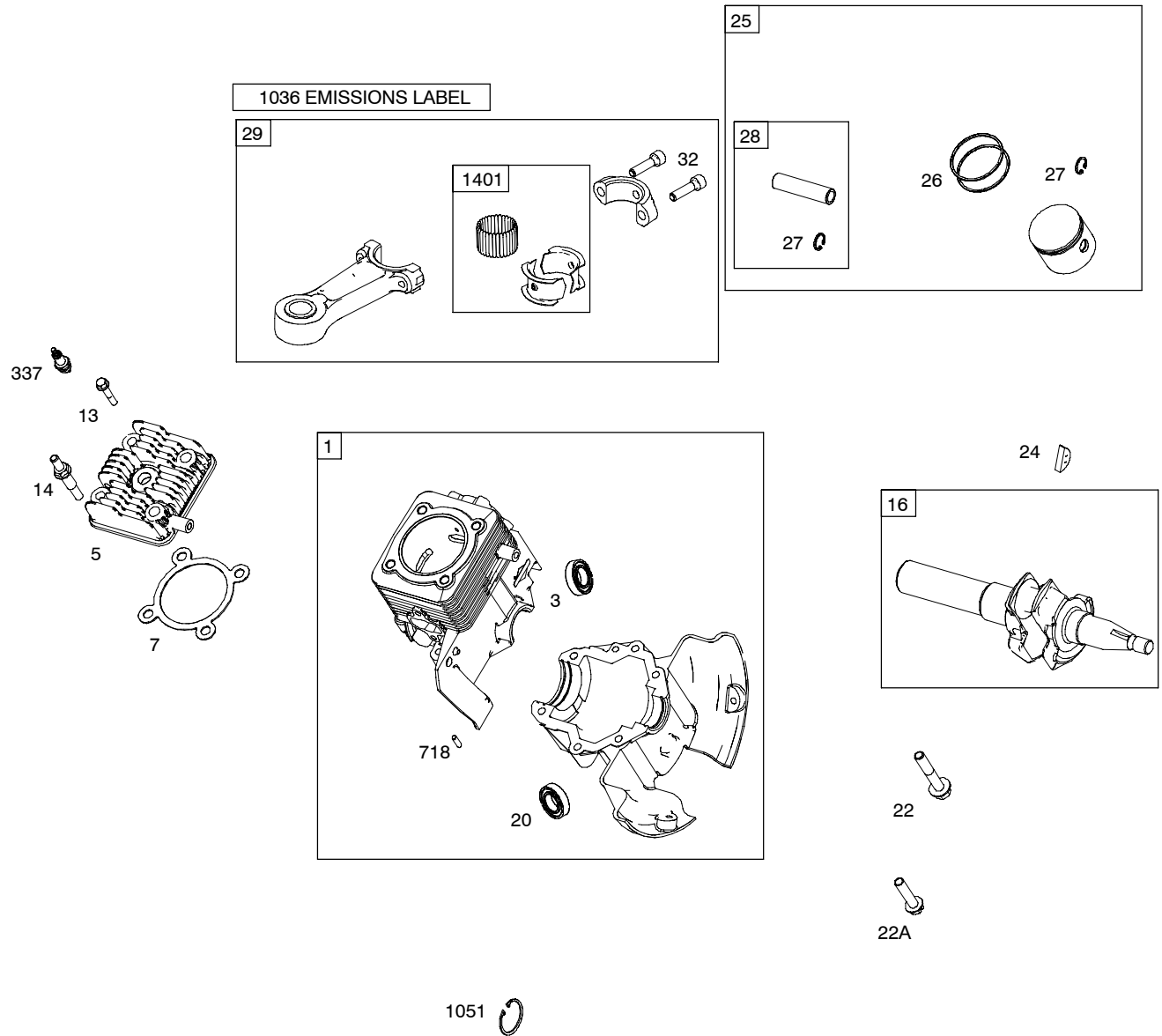
TABLE OF CONTENTS

| | |
|--|---|
| Blower Housing/Shrouds | 5 |
| Carburetor | 3 |
| Crankcase Cover/Sump | 2 |
| Crankshaft | 2 |
| Cylinder Head | 2 |
| Electric Start | 5 |
| Flywheel | 5 |
| Governor Spring | 4 |
| Ignition | 4 |
| Intake Manifold | 3 |
| Kit-Carburetor Overhaul | 3 |
| Muffler | 4 |
| Piston, Rings, Connecting Rod | 2 |
| Rewind Starter | 5 |



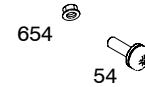
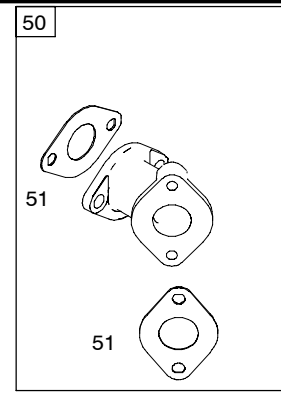
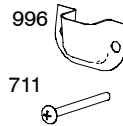
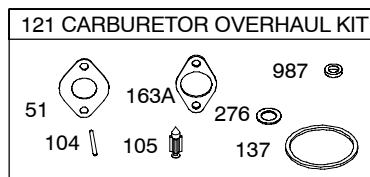
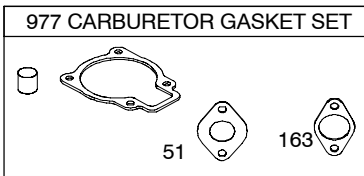
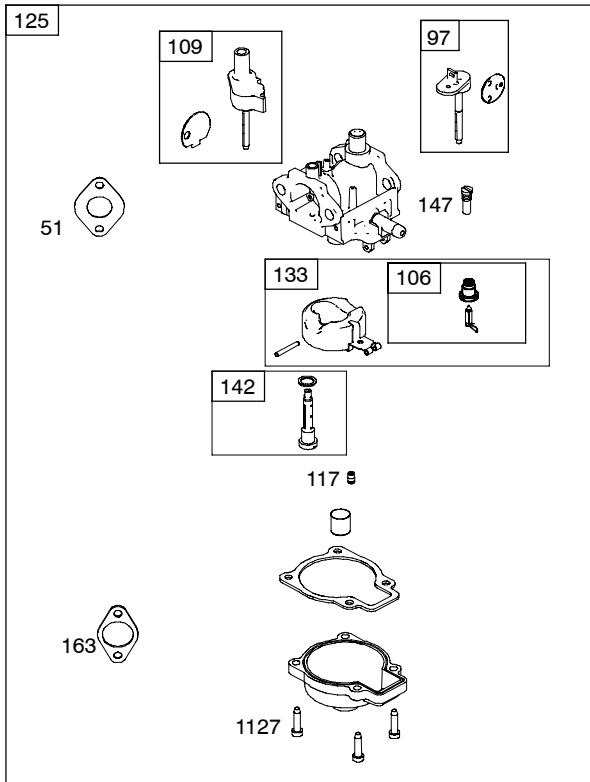
PRINTED IN U.S.A.

COPYRIGHT by BRIGGS & STRATTON CORPORATION
All rights reserved. No part of this material may be reproduced or transmitted, in any form or by any means, electronic or mechanical, including photocopying, recording or by any information storage and retrieval system, without permission in writing from Briggs & Stratton Corporation.

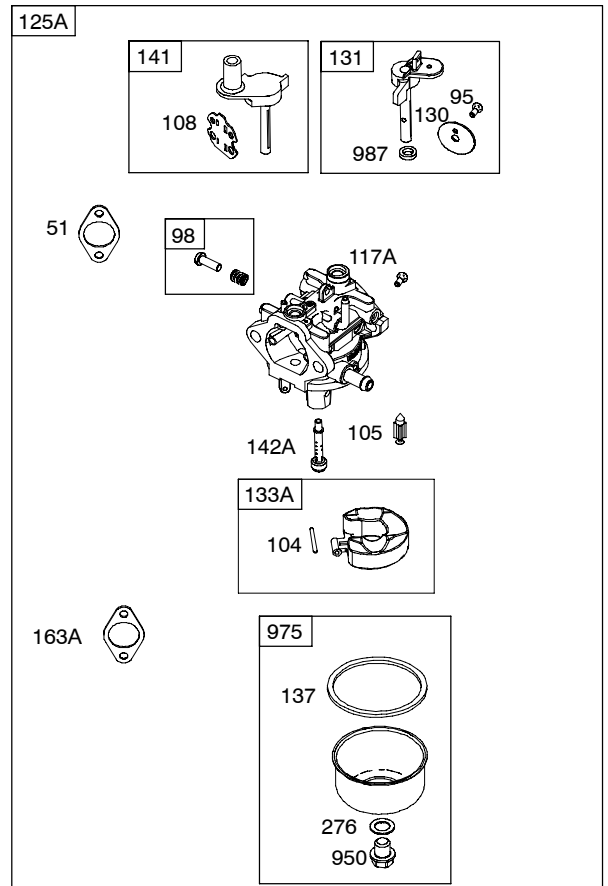


● Included in Carburetor Overhaul Kit-Ref. No. 121.

◆ Included in Carburetor Gasket Set-Ref. No. 977.



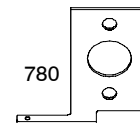
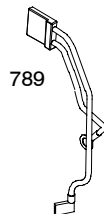
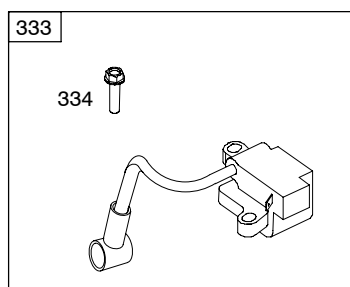
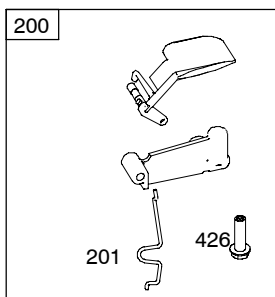
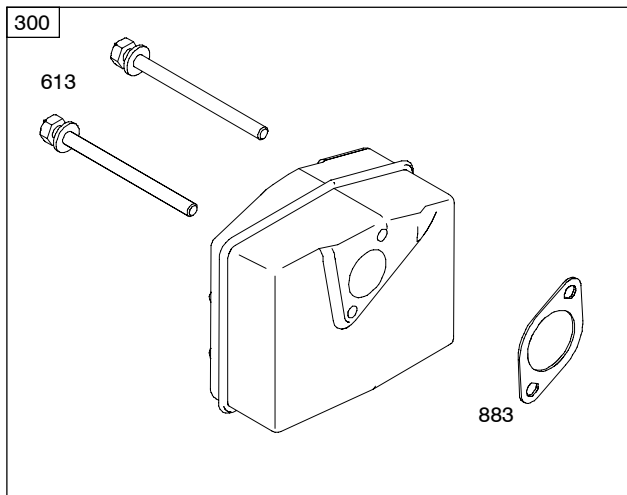
118



● Included in Carburetor Overhaul Kit—Ref. No. 121.

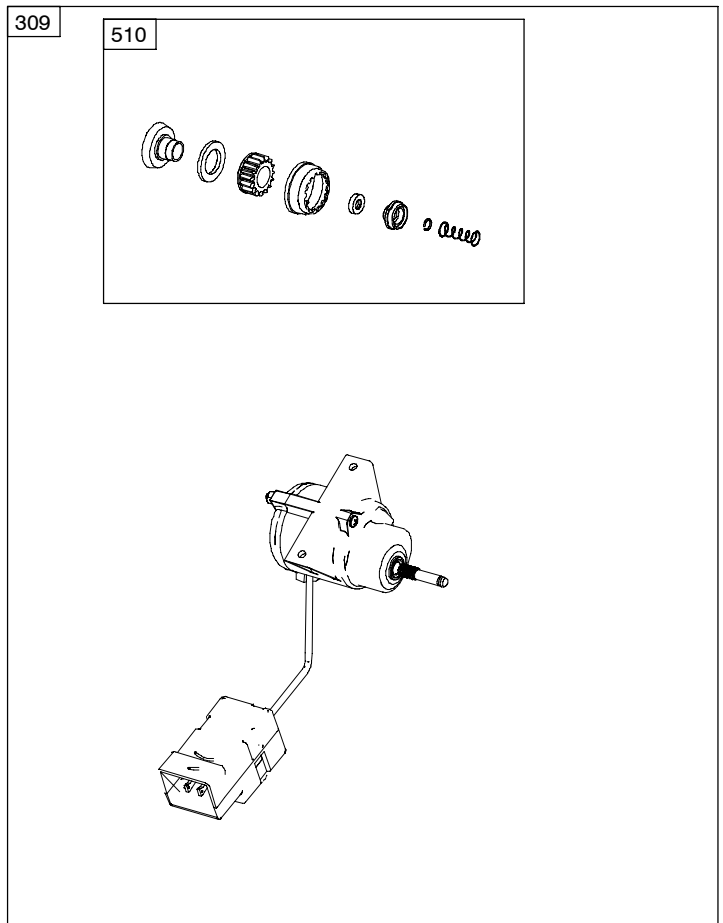
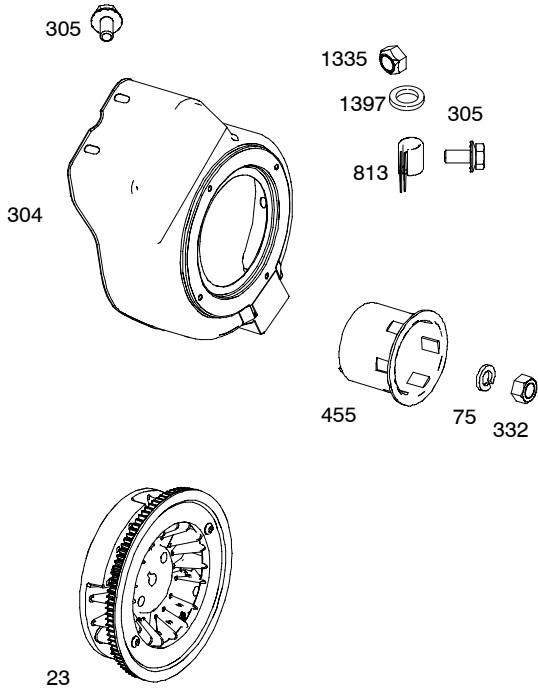
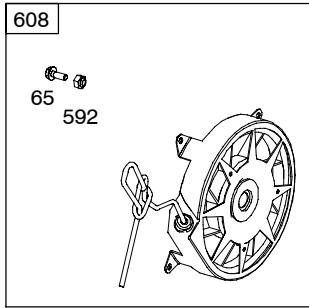
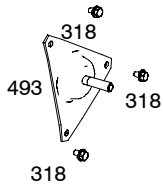
◆ Included in Carburetor Gasket Set—Ref. No. 977.

084200



● Included in Carburetor Overhaul Kit-Ref. No. 121.

◆ Included in Carburetor Gasket Set-Ref. No. 977.



● Included in Carburetor Overhaul Kit-Ref. No. 121.

◆ Included in Carburetor Gasket Set-Ref. No. 977.

084200

| REF. NO. | PART NO. | DESCRIPTION | REF. NO. | PART NO. | DESCRIPTION | REF. NO. | PART NO. | DESCRIPTION |
|----------|----------|---|----------|----------|---|----------|----------|--|
| 1 | 801260 | Cylinder Assembly (Non Boost, Rewind Start) ----- Note ----- 801322 Cylinder Assembly (Non Boost, Electric Start) Used on Type No(s). 0198, 0199. | 75 | 801237 | Washer (Flywheel) | 125A | 801396 | Carburetor (Used After Code Date 06060600). |
| | | | 95 | 801415 | Screw (Throttle Valve) (Used After Code Date 06060600). | 130 | 801414 | Valve-Throttle (Used After Code Date 06060600). |
| | | | 97 | 801306 | Shaft-Throttle (Used Before Code Date 06060700). | 131 | 801417 | Kit-Throttle Shaft (Used After Code Date 06060600). |
| | | | 98 | 801419 | Kit-Idle Speed (Used After Code Date 06060600). | 133 | 801316 | Float-Carburetor (Used Before Code Date 06060700). |
| 3 | 801262 | Seal-Oil (Magneto Side) | 104 | ●691242 | Pin-Float Hinge (Used After Code Date 06060600). | 133A | 801422 | Float-Carburetor (Used After Code Date 06060700). |
| 5 | 801283 | Head-Cylinder | 105 | ●801423 | Valve-Float Needle (Used After Code Date 06060600). | 137 | ●693981 | Gasket-Float Bowl (Used After Code Date 06060600). |
| 7 | 801263 | Gasket-Cylinder Head | 106 | 801317 | Seat-Inlet (Used Before Code Date 06060700). | 141 | 801418 | Kit-Choke Shaft (Used After Code Date 06060600). |
| 13 | 801264 | Screw (Cylinder Head) | 108 | 801413 | Valve-Choke (Used After Code Date 06060600). | 142 | 801313 | Nozzle-Carburetor (Used Before Code Date 06060700). |
| 14 | 801265 | Stud (Cylinder Head) | 109 | 801307 | Shaft-Choke (Used Before Code Date 06060700). | 142A | 801424 | Nozzle-Carburetor (Used After Code Date 06060600). |
| 16 | 801220 | Crankshaft | 117 | 801310 | Jet-Main (Standard) (Used Before Code Date 06060700). | 147 | 801308 | Jet-Pilot (Used Before Code Date 06060700). |
| 20 | 801261 | Seal-Oil (PTO Side) | 117A | 801425 | Jet-Main (Used After Code Date 06060600). | 163 | ◆801227 | Gasket-Air Cleaner (Used Before Code Date 06060700). |
| 22 | 801266 | Screw (Crankcase Cover/ Sump) | 118 | 801426 | Jet-Main (Used After Code Date 06060600). | 163A | ●801397 | Gasket-Air Cleaner (Used After Code Date 06060600). |
| 22A | 801271 | Screw (Crankcase Cover/ Sump) | 121 | 801427 | Kit-Carburetor Overhaul (Used After Code Date 06060600). | 200 | 801289 | Blade-Governor |
| 23 | 801246 | Flywheel | 125 | 801233 | Carburetor (Used Before Code Date 06060700). | 201 | 801225 | Link-Air Vane |
| 24 | 801234 | Key-Flywheel | | | | 209 | 801223 | Spring-Governor |
| 25 | 801279 | Piston Assembly | | | | 276 | ●692255 | Washer-Sealing (Used After Code Date 06060600). |
| 26 | 801280 | Ring Set | | | | | | |
| 27 | 801275 | Lock-Piston Pin | | | | | | |
| 28 | 801276 | Pin-Piston | | | | | | |
| 29 | 801277 | Rod-Connecting | | | | | | |
| 32 | 801278 | Screw (Connecting Rod) | | | | | | |
| 50 | 801232 | Manifold-Intake | | | | | | |
| 51 | ◆801224 | Gasket-Intake | | | | | | |
| 54 | 801230 | Screw (Intake Manifold) | | | | | | |
| 65 | 801243 | Screw (Rewind Starter) | | | | | | |

● Included in Carburetor Overhaul Kit-Ref. No. 121.

◆ Included in Carburetor Gasket Set-Ref. No. 977.

| REF. NO. | PART NO. | DESCRIPTION | REF. NO. | PART NO. | DESCRIPTION | REF. NO. | PART NO. | DESCRIPTION |
|----------|----------|--|----------|----------|------------------------------------|----------|----------|---|
| 300 | 801250 | Muffler | 510 | 801293 | Drive-Starter | 950 | 801421 | Screw-Float Bowl |
| 304 | 801257 | Housing-Blower | | | Used on Type No(s). 0198, 0199. | | | (Used After Code Date 06060600). |
| | | ----- Note ----- | 592 | 801244 | Nut | 975 | 801420 | Bowl-Float |
| | | 801236 Housing-Blower | | | (Rewind Starter) | | | (Used After Code Date 06060600). |
| | | Used on Type No(s). 0198, 0199. | 608 | 801242 | Starter-Rewind | 977 | 801312 | Gasket Set-Carburetor |
| | | 801328 Housing-Blower | 613 | 801251 | Screw | | | (Used Before Code Date 06060700). |
| | | (Used on 230 Volt Electric Start Engines) | 654 | 801324 | Nut | 987 | 801416 | Seal-Throttle Shaft |
| 305 | 801239 | Screw | | | (Intake Manifold) | | | (Used After Code Date 06060600). |
| | | (Blower Housing) | 697 | 801248 | Screw | 996 | 801226 | Shield-Carburetor |
| 309 | 801410 | Motor-Starter | | | (Starter Motor) | 1051 | 801274 | Ring-Retaining |
| | | Used on Type No(s). 0198, 0199. | 711 | 801398 | Screw | 1036 | | Label-Emissions |
| 318 | 801241 | Screw | | | (Carburetor Shield) | | | (Available from a Briggs and Stratton Authorized Service Dealer) |
| | | (Mounting Bracket) | 718 | 690959 | Pin-Locating | 1127 | 801318 | Screw |
| 332 | 801238 | Nut | 780 | 801228 | Anchor-Spring | | | (Float Bowl) |
| | | (Flywheel) | 789 | 801253 | Wire Assembly | | | (Used Before Code Date 06060700). |
| 333 | 801268 | Armature-Magneto | 813 | 801249 | Clamp | 1335 | 801269 | Nut |
| 334 | 801267 | Screw | | | Used on Type No(s). 0198, 0199. | | | (Blower Housing) |
| | | (Magneto Armature) | 883 | 801252 | Gasket-Exhaust | 1397 | 801270 | Washer |
| 337 | 801254 | Plug-Spark | | | | | | (Blower Housing) |
| 426 | 801231 | Screw | | | | 1401 | 801290 | Roller-Strip |
| | | (Governor Blade) | | | | | | |
| 455 | 801235 | Cup-Flywheel | | | | | | |
| 493 | 801240 | Bracket-Mounting | | | | | | |

● Included in Carburetor Overhaul Kit-Ref. No. 121.

◆ Included in Carburetor Gasket Set-Ref. No. 977.