



084100

Illustrated Parts List

Model Series

084100

TYPE NUMBERS
0120, 0196.

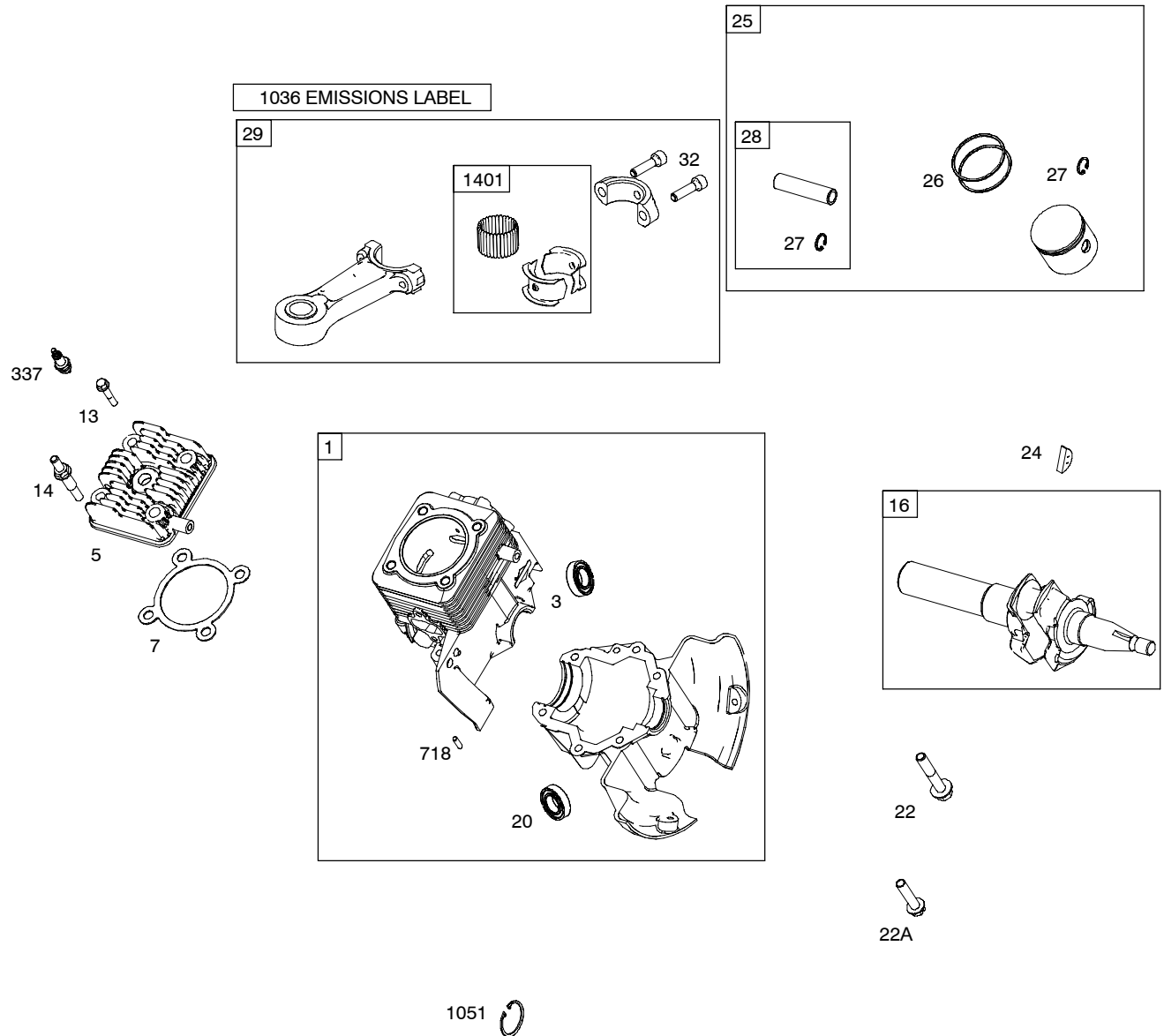
TABLE OF CONTENTS

- Blower Housing/Shrouds** 5
- Carburetor** 3
- Crankcase Cover/Sump** 2
- Crankshaft** 2
- Cylinder Head** 2
- Electric Start** 5
- Exhaust System** 4
- Flywheel** 5
- Governor Spring** 4
- Ignition** 4
- Kit-Carburetor Overhaul** 3
- Piston, Rings, Connecting Rod** 2
- Rewind Starter** 5



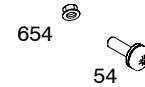
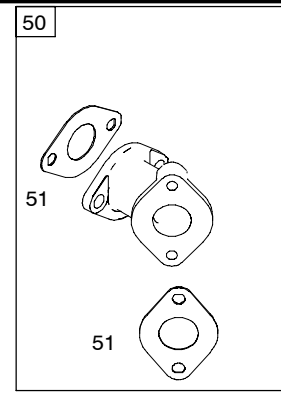
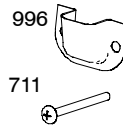
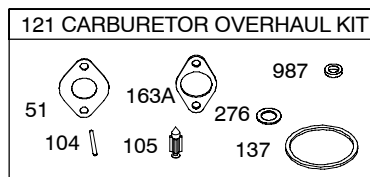
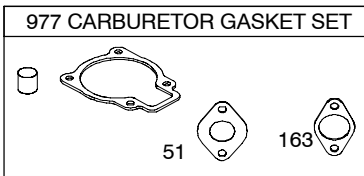
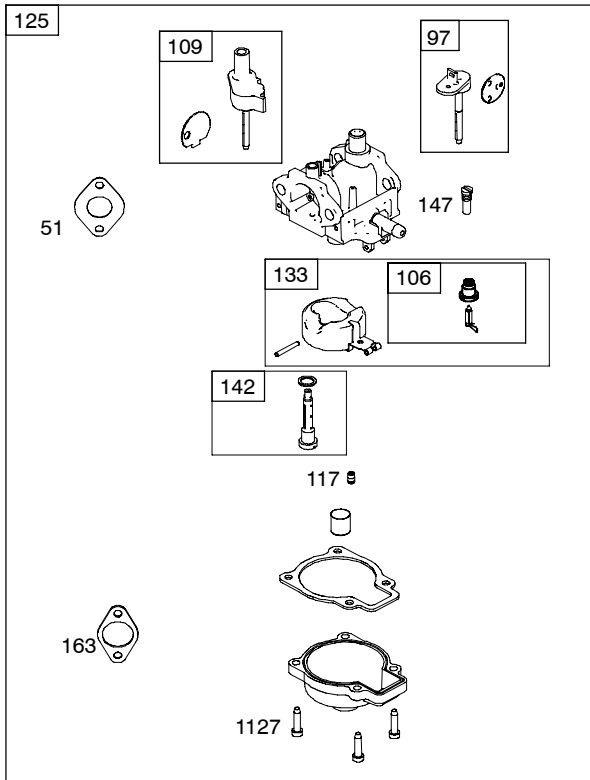
PRINTED IN U.S.A.

COPYRIGHT by BRIGGS & STRATTON CORPORATION
All rights reserved. No part of this material may be reproduced or transmitted, in any form or by any means, electronic or mechanical, including photocopying, recording or by any information storage and retrieval system, without permission in writing from Briggs & Stratton Corporation.

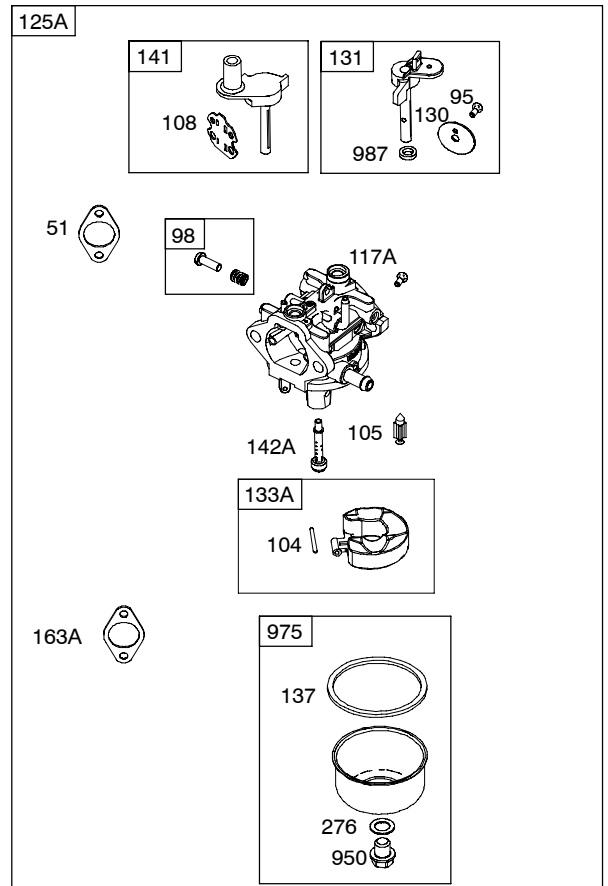


● Included in Carburetor Overhaul Kit-Ref. No. 121.

◆ Included in Carburetor Gasket Set-Ref. No. 977.



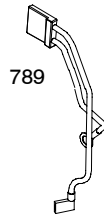
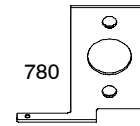
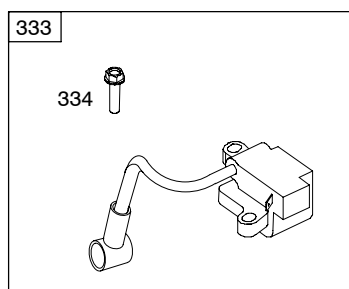
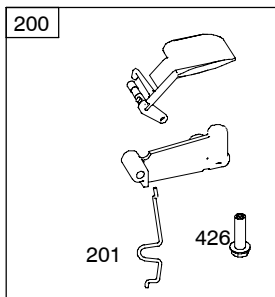
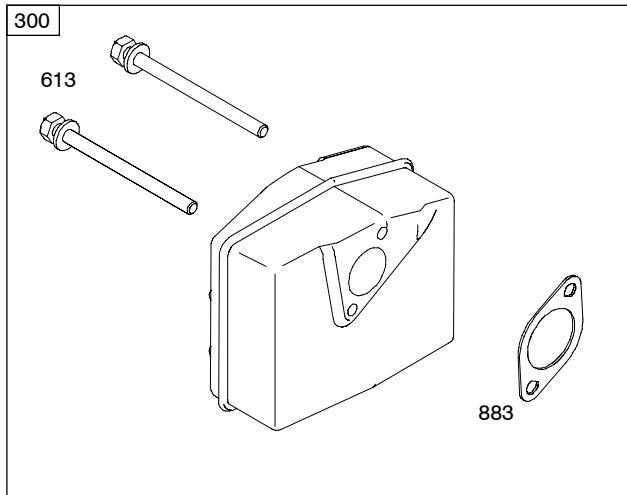
118



● Included in Carburetor Overhaul Kit—Ref. No. 121.

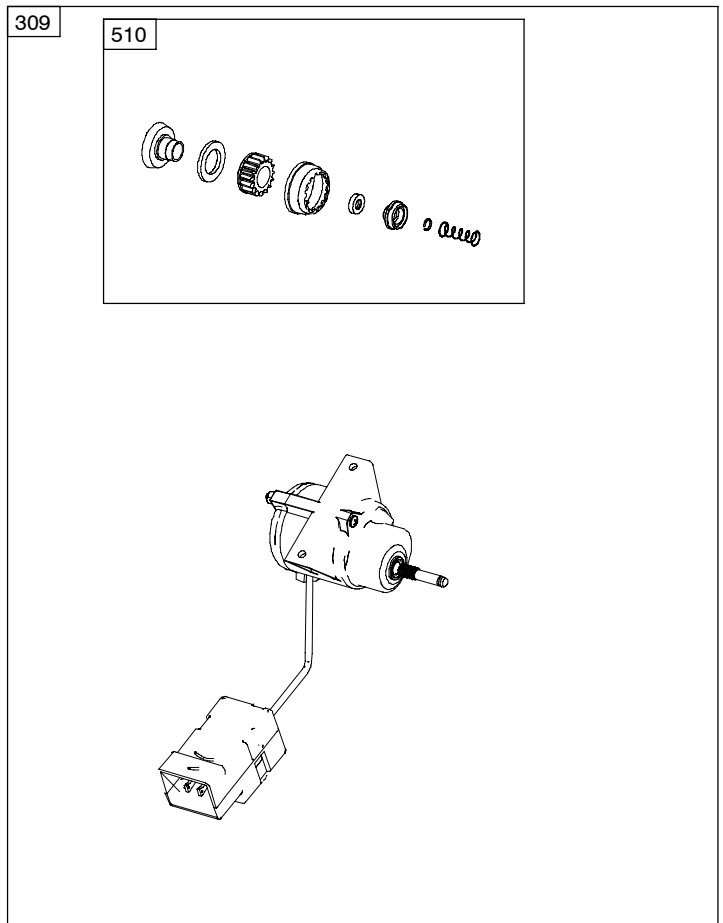
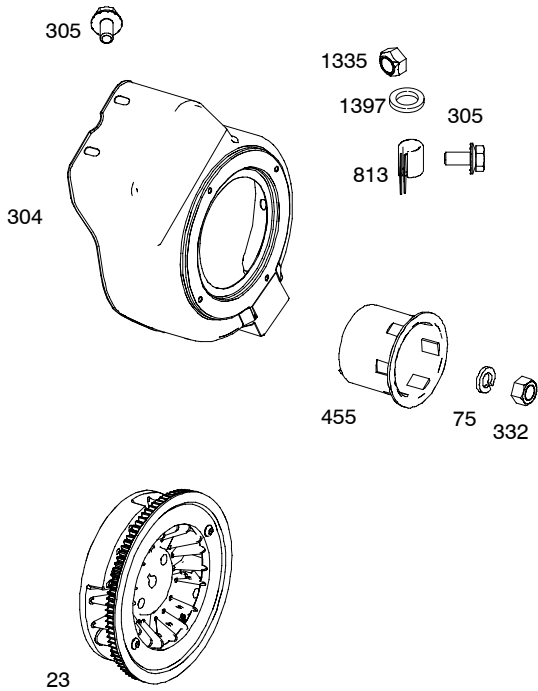
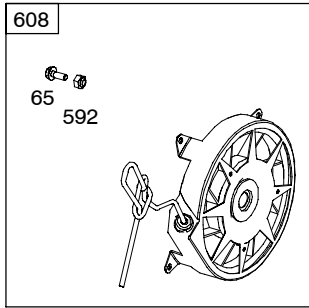
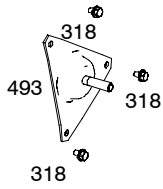
◆ Included in Carburetor Gasket Set—Ref. No. 977.

084100



● Included in Carburetor Overhaul Kit-Ref. No. 121.

◆ Included in Carburetor Gasket Set-Ref. No. 977.



● Included in Carburetor Overhaul Kit-Ref. No. 121.

◆ Included in Carburetor Gasket Set-Ref. No. 977.

084100

REF. NO.	PART NO.	DESCRIPTION	REF. NO.	PART NO.	DESCRIPTION	REF. NO.	PART NO.	DESCRIPTION
1	801260	Cylinder Assembly (Non Boost, Rewind Start) ----- Note ----- 801322 Cylinder Assembly (Non Boost, Electric Start) Used on Type No(s). 0196.	75	801237	Washer (Flywheel)	125A	801396	Carburetor (Used After Code Date 06060600).
			95	801415	Screw (Throttle Valve) (Used After Code Date 06060600).	130	801414	Valve-Throttle (Used After Code Date 06060600).
			97	801306	Shaft-Throttle (Used Before Code Date 06060700).	131	801417	Kit-Throttle Shaft (Used After Code Date 06060600).
			98	801419	Kit-Idle Speed (Used After Code Date 06060600).	133	801316	Float-Carburetor (Used Before Code Date 06060700).
3	801262	Seal-Oil (Magneto Side)	104	●691242	Pin-Float Hinge (Used After Code Date 06060600).	133A	801422	Float-Carburetor (Used After Code Date 06060700).
5	801283	Head-Cylinder	105	●801423	Valve-Float Needle (Used After Code Date 06060600).	137	●693981	Gasket-Float Bowl (Used After Code Date 06060600).
7	801263	Gasket-Cylinder Head	106	801317	Seat-Inlet (Used Before Code Date 06060700).	141	801418	Kit-Choke Shaft (Used After Code Date 06060600).
13	801264	Screw (Cylinder Head)	108	801413	Valve-Choke (Used After Code Date 06060600).	142	801313	Nozzle-Carburetor (Used Before Code Date 06060700).
14	801265	Stud (Cylinder Head)	109	801307	Shaft-Choke (Used Before Code Date 06060700).	142A	801424	Nozzle-Carburetor (Used After Code Date 06060600).
16	801220	Crankshaft	117	801310	Jet-Main (Standard) (Used Before Code Date 06060700).	147	801308	Jet-Pilot (Used Before Code Date 06060700).
20	801261	Seal-Oil (PTO Side)	117A	801425	Jet-Main (Used After Code Date 06060600).	163	◆801227	Gasket-Air Cleaner (Used Before Code Date 06060700).
22	801266	Screw (Crankcase Cover/Sump)	118	801426	Jet-Main (Used After Code Date 06060600).	163A	●801397	Gasket-Air Cleaner (Used After Code Date 06060600).
22A	801271	Screw (Crankcase Cover/Sump)	121	801427	Kit-Carburetor Overhaul (Used After Code Date 06060600).	200	801289	Blade-Governor
23	801246	Flywheel	125	801233	Carburetor (Used Before Code Date 06060700).	201	801225	Link-Air Vane
24	801234	Key-Flywheel				209	801223	Spring-Governor
25	801279	Piston Assembly				276	●692255	Washer-Sealing (Used After Code Date 06060600).
26	801280	Ring Set						
27	801275	Lock-Piston Pin						
28	801276	Pin-Piston						
29	801277	Rod-Connecting						
32	801278	Screw (Connecting Rod)						
50	801232	Manifold-Intake						
51	◆801224	Gasket-Intake						
54	801230	Screw (Intake Manifold)						
65	801243	Screw (Rewind Starter)						

● Included in Carburetor Overhaul Kit-Ref. No. 121.

◆ Included in Carburetor Gasket Set-Ref. No. 977.

REF. NO.	PART NO.	DESCRIPTION	REF. NO.	PART NO.	DESCRIPTION	REF. NO.	PART NO.	DESCRIPTION
300	801250	Muffler	334	801267	Screw (Magneto Armature)	813	801249	Clamp Used on Type No(s). 0196.
304	801257	Housing-Blower ----- Note ----- 801236 Housing-Blower Used on Type No(s). 0196. 801328 Housing-Blower (Used on 230 Volt Electric Start Engines)	337	801254	Plug-Spark	883	801252	Gasket-Exhaust
305	801239	Screw (Blower Housing)	426	801231	Screw (Governor Blade)	950	801421	Screw-Float Bowl (Used After Code Date 06060600).
309	801410	Motor-Starter (Used After Code Date 06042400). Used on Type No(s). 0196. ----- Note ----- 801247 Motor-Starter (Used Before Code Date 06042500). Used on Type No(s). 0196.	455	801235	Cup-Flywheel	975	801420	Bowl-Float (Used After Code Date 06060600).
318	801241	Screw (Mounting Bracket)	493	801240	Bracket-Mounting	977	801312	Gasket Set-Carburetor (Used Before Code Date 06060700).
332	801238	Nut (Flywheel)	510	801293	Drive-Starter Used on Type No(s). 0196.	987	801416	Seal-Throttle Shaft (Used After Code Date 06060600).
333	801268	Armature-Magneto	592	801244	Nut (Rewind Starter)	996	801226	Shield-Carburetor
			608	801242	Starter-Rewind	1051	801274	Ring-Retaining Label-Emissions (Available from an Authorized Briggs and Stratton Service Dealer)
			613	801251	Screw (Muffler)	1036		
			654	801324	Nut (Intake Manifold) (Used Before Code Date 05042600).	1127	801318	Screw (Float Bowl) (Used Before Code Date 06060700).
			697	801248	Screw (Starter Motor) Used on Type No(s). 0196.	1335	801269	Nut (Blower Housing)
			711	801229	Screw (Carburetor Shield)	1397	801270	Washer (Blower Housing)
			718	690959	Pin-Locating	1401	801290	Roller-Strip
			780	801228	Anchor-Spring			
			789	801253	Wire Assembly			

● Included in Carburetor Overhaul Kit-Ref. No. 121.

◆ Included in Carburetor Gasket Set-Ref. No. 977.