

**82400 to 82499**

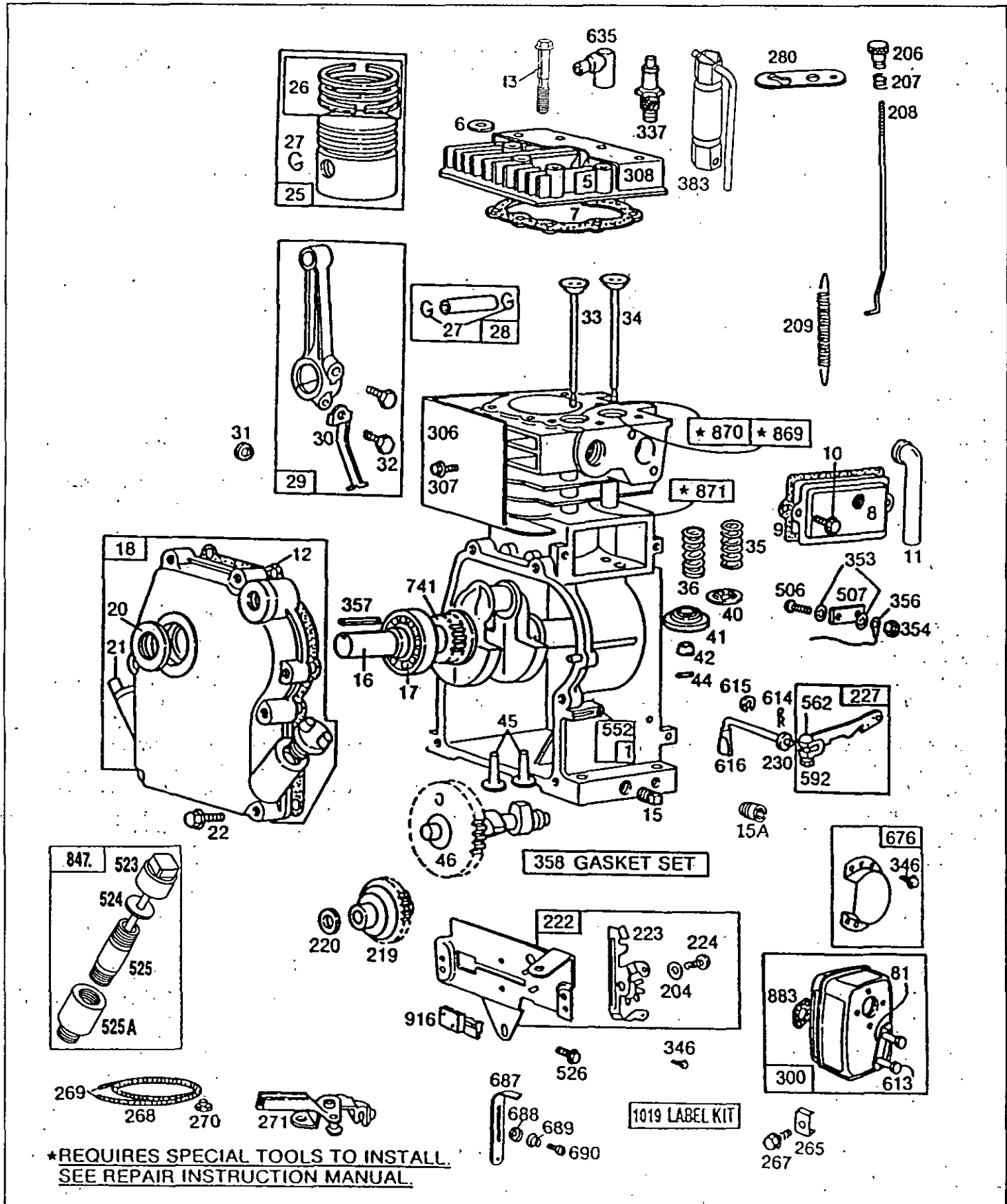
# Illustrated Parts List Industrial/Commercial Model Series 82400 to 82499

TYPE NUMBERS  
4070, 4073, 8111,  
8130 through 8134  
8573.

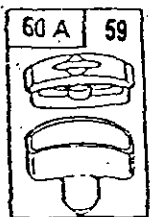
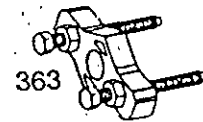
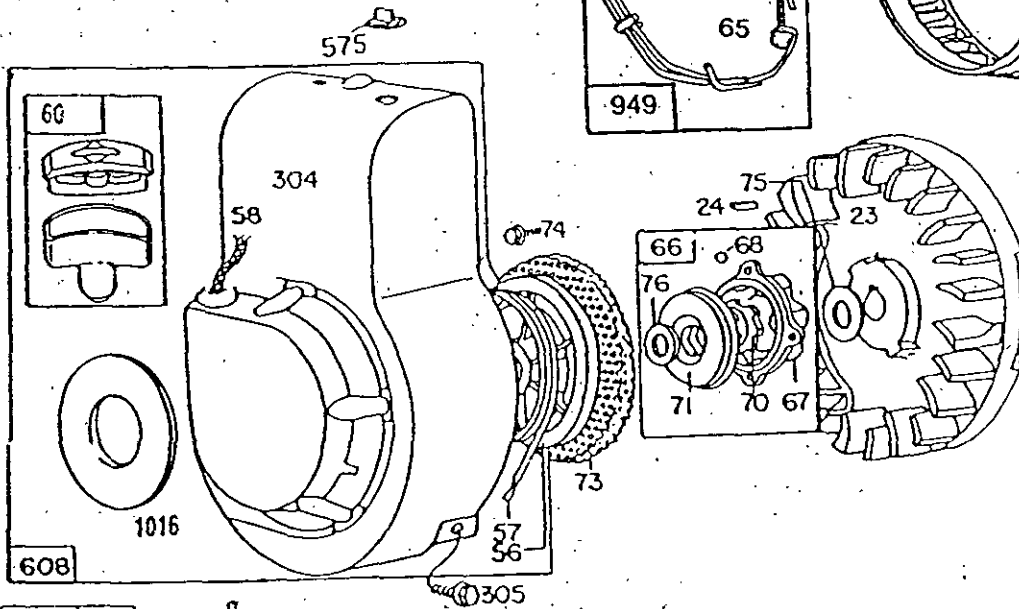
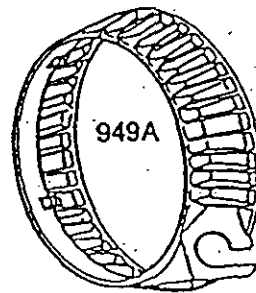
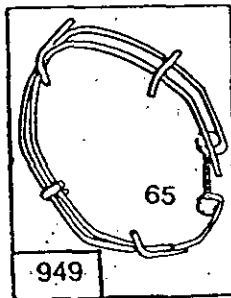
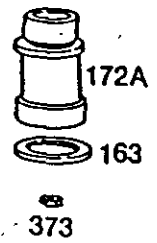
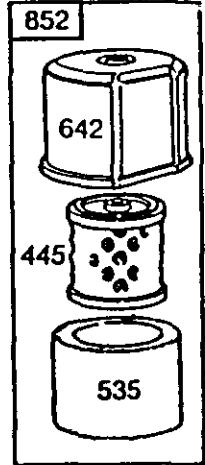
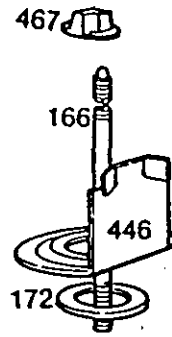
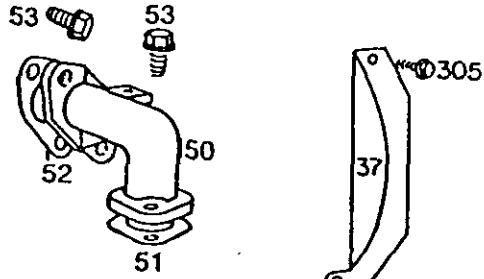
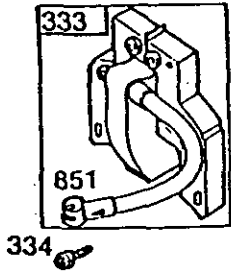
**TO FIND  
THE CORRECT NUMBER OF THE PART YOU NEED:  
FOLLOW THE INSTRUCTIONS BELOW.**

- A. Refer to Engine Model, Type and Code Number that is stamped on the blower housing of engine. Engine type numbers such as 0123 01 are listed only as 0123 in most instances. The two digits (01 or 02, etc.) to the right of the space may be required for more accurate parts identification in some instances. Select the Illustrated Parts List covering the correct Model Series and Type Number.
- B. Refer to the Illustrations and compare the original part with Illustration. The number next to the illustration is the Reference Number. Assemblies include all parts shown in frames. All parts shown in assembly frames having individual reference numbers can be purchased separately.
- C. After the Reference Number has been identified, refer to the Numerical text, where Reference and Primary Part Number are listed. **THE PRIMARY PART IS USED ON ALL TYPE NUMBERS EXCEPT THOSE TYPE NUMBERS UNDER "NOTE."**
- D. If a "Note" appears below the Primary Part Number, it means that this part differs from the Primary Part for certain types. If your Type number is listed under "Note," order the part referred to at the "Note."
- E. If your Engine Type Number does not appear after any part number listed under "Note," use the Primary Part Number.
- F. For Engine Type Numbers not covered by this book, check other Parts Lists having the same engine model or contact your source of supply.

# 82400 to 82499

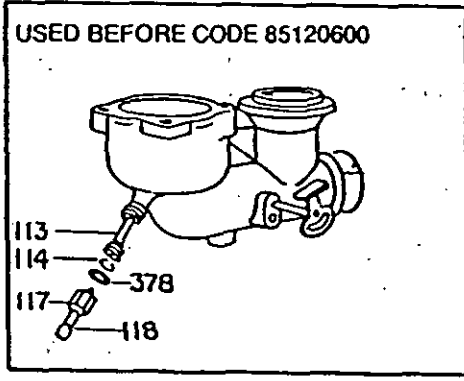
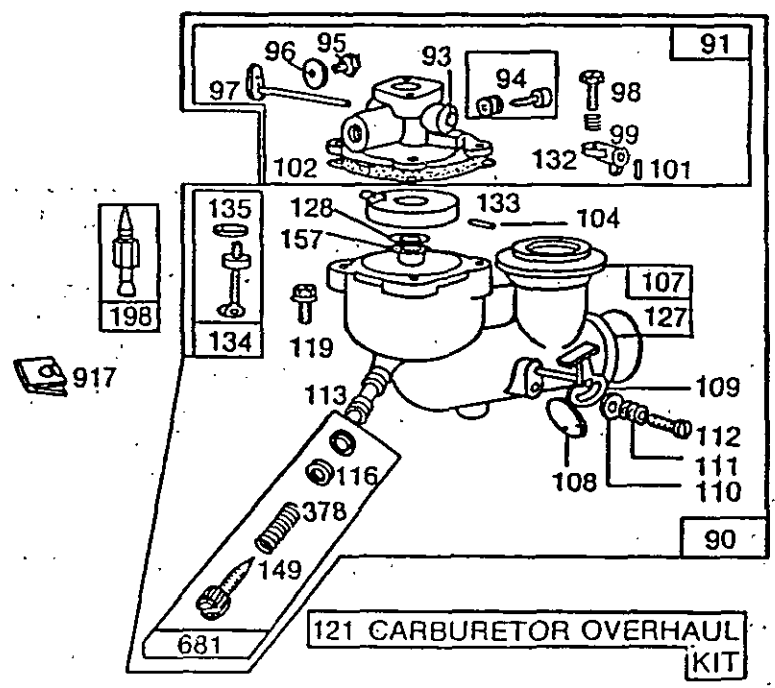
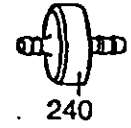
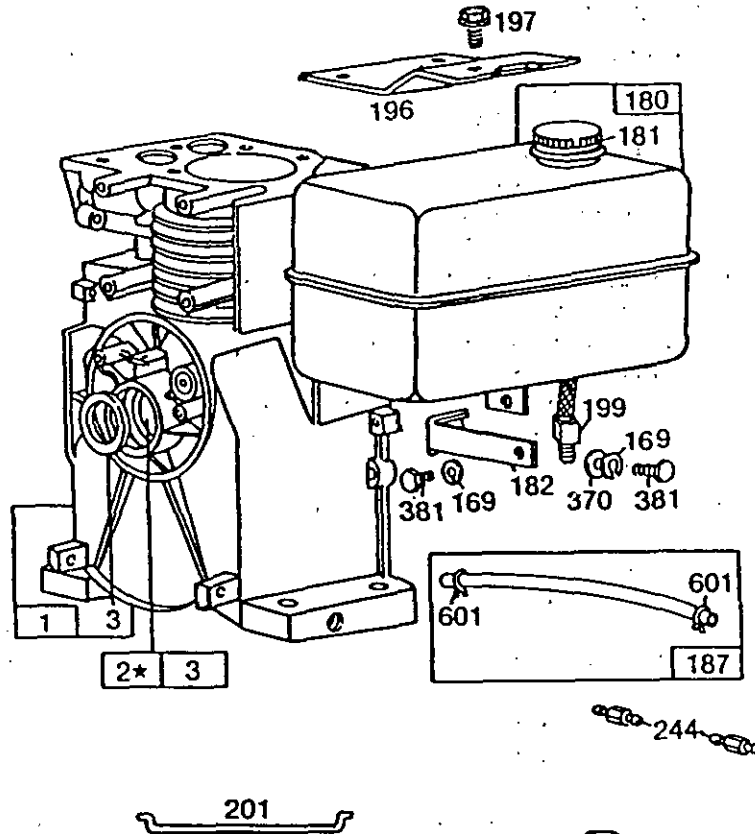


\*REQUIRES SPECIAL TOOLS TO INSTALL.  
SEE REPAIR INSTRUCTION MANUAL.



★ SPECIAL TOOLS REQUIRED  
TO INSTALL  
SEE REPAIR INSTRUCTION  
MANUAL

# 82400 to 82499



# 82400 to 82499

REF. NO.	PART NO.	DESCRIPTION	REF. NO.	PART NO.	DESCRIPTION	REF. NO.	PART NO.	DESCRIPTION									
1	395567	Cylinder Assembly		295457	Piston Assembly (.020" O.S.)	41	491442	Rotocap-Exhaust Valve (Used After Code Date 90051300).									
2	399269	Bearing-Cylinder		295458	Piston Assembly (.030" O.S.)			<b>Note:</b> 292259 Rotocap-Exhaust Valve (Used Before Code Date 90051400).									
		<b>Note:</b> Requires Special Tools For Installation.				42	230127	Retainer-Exhaust Valve Rotocap									
3	299819	Seal-Oil	<b>MODEL 82400 SERIES</b>			44	230126	Pin-Exhaust Valve Rotocap Retainer									
5	210812	Head-Cylinder				<b>RING SETS:</b>			45	230173	Tappet-Valve						
6	22963	Washer-Plain							<b>Note:</b> For Chrome Piston Ring Set (Standard Size) Order Part No. 297201.			46	493747	Gear-Cam			
7	*272167	Gasket-Cylinder Head										26	295657	Ring Set-Piston (Std.)	50	210810	Elbow-Intake
8	294178	Breather Assy.											295658	Ring Set-Piston (.010" O.S.)	51	*68987	Gasket-Carburetor Mounting
9	*27549	Gasket-Valve Cover											295659	Ring Set-Piston (.020" O.S.)	52	*27355	Gasket-Intake Elbow Mounting
10	93394	Screw-Breather Mounting Sem											295660	Ring Set-Piston (.030" O.S.)	53	94442	Screw-Carburetor and Intake Elbow Mtg.
11	66638	Tube-Breather										27	26026	Lock-Piston Pin	56	280439	Pulley-Rewind Starter
12	*270833	Gasket-Crankcase (.015" Thick, Std.)										28	298909	Pin-Piston (Standard)	57	490179	Spring-Rewind Starter
	*270895	Gasket-Crankcase (.005" Thick)											298908	Pin-Piston (.005" O.S.)	58	66734	Rope-Starter (48-5/8" Long)
	*270896	Gasket-Crankcase (.009" Thick)	29	294367	Rod-Conn.									<b>Note:</b> If Longer Rope is Needed, Order No. 280399 and Cut to Required Length.			
13	94547	Screw-Cylinder Head (2-5/16" Long)				59	490653	Insert-Starter Handle									
15	91249	Plug-Oil Drain				59A	230228	Pin-Starter Grip									
15A	93448	Plug-Oil Drain (Hex. Socket Hd.)				60	393152	Grip-Starter Rope									
16	493633	Crankshaft				60A	490652	Handle-Rewind Starter									
		<b>Note:</b> To Replace Crankshaft Gear Pin Order Part No. 230978.				65	94124	Screw-Guard Retaining									
		494033 Crankshaft Used on Type Nos. 4070, 8130, 8132, 8133, 8134.	30	220670	Dipper-Connecting Rod	66	399671	Clutch-Starter									
17	99158	Bearing-Ball	31	222282	Washer-Connecting Rod	67	394897	Housing-Clutch									
18	395259	Cover-Crankcase Used on Type Nos. 4070, 4073, 8111, 8132, 8133, 8134, 8573.	32	94404	Screw-Connecting Rod	68	63770	Ball-Clutch									
20	393812	Seal-Oil Used on Type Nos. 4070, 4073, 8111, 8132, 8133, 8134, 8573.	33	262580	Valve-Exhaust (Used After Code Date 90051300).	70	298799	Ratchet-Clutch									
21	66768	Plug-Oil Drain				71	394506	Washer-Clutch Retainer									
22	93032	Screw-Crankcase Cover Mtg. Sem				73	221661	Screen-Rotating									
23	296884	Flywheel				74	93490	Screw-Rotating Screen Mounting									
24	222698	Key-Flywheel				75	224061	Washer-Spring									
25	295455	Piston Assembly (Std.)				76	68238	Washer-Ratchet Sealing									
	295456	Piston Assembly (.010" O.S.)				81	223256	Lock-Muffler Screw									
						90	395395	Carburetor (Manual Choke)									
						91	395562	Body Assembly-Upper									

\* Included in Gasket Set-Part No. 397144.

● Included in Carburetor Kit-See Ref. 121.

# 82400 to 82499

REF. NO.	PART NO.	DESCRIPTION	REF. NO.	PART NO.	DESCRIPTION	REF. NO.	PART NO.	DESCRIPTION
93	23230	Bushing-Throttle Shaft	121	398992	Carburetor Kit (Used After Code Date 85120500).	222	395380	Bracket-Mechanical Governor
94	●292681	Valve Assembly-Carburetor Idle				223	223097	Lever-Governor Control
95	93499	Screw-Throttle Valve Mounting		<b>Note:</b> 291691	Carburetor Kit (Used Before Code Date 85120600).	224	93491	Rivet-Governor Lever Mounting
96	222972	Valve-Throttle	127	220352	Plug-Welch	227	394541	Lever Assy.-Governor
97	393827	Shaft-Throttle	128	210811	Venturi-Carburetor	230	222450	Washer-Governor Lever
98	91920	Screw-Machine, Fill. Hd.	132	212904	Stop-Throttle Lever	240	298090	Filter-Fuel (In Connector Line)
99	●26157	Spring-Throttle Adjustment	133	293477	Float-Carburetor	244	230318	Connector-Flexible Fuel Pipe
101	93043	Pin-Throttle Stop and Governor Shaft	134	●293478	Valve and Seat-Fuel Inlet	265	221535	Clamp-Casing
102	●27917	Gasket-Carburetor Body	135	●68877	Gasket-Fuel Inlet Valve Seat	267	93496	Screw-Sem
104	●23114	Pin-Float Hinge	149	261357	Spring-Needle Valve (Used After Code Date 85120500).	268	66986	Casing-Control Wire (48" Long)
107	397870	Body Assy.-Carburetor (Used After Code Date 85120500).	157	●27840	Gasket-Venturi		<b>Note:</b>	If a Longer Casing is Needed, Specify Length in Inches; if a Shorter Casing is Needed, Order No. 66986 and Cut to Required Length.
	<b>Note:</b> 295617	Body Assy.-Carburetor (Used Before Code Date 85120600).	163	271042	Gasket-Air Cleaner Mounting	269	26099	Wire-Control (54" Long)
108	220897	Valve-Choke	166	231314	Stud-Air Cleaner		<b>Note:</b>	If Longer Wire is Needed, Specify Length in Inches; if Shorter Wire is Needed, Order No. 26099 and Cut to Required Length.
109	294874	Shaft and Lever Assy.-Choke	172	271139	Gasket-Air Cleaner			
110	220899	Washer-Choke Lever	172A	280213	Spacer-Air Cleaner			
111	26229	Spring-Choke Lever	180	292945	Tank Assembly-Fuel (3 Quart)			
112	23270	Screw-Choke Lever	181	393156	Cap-Fuel Tank			
113	●231359	Nozzle-Carburetor (Used After Code Date 85120500).	182	220195	Bracket-Fuel Tank			
	<b>Note:</b> ●23222	Nozzle-Carburetor (Used Before Code Date 85120600).	187	393815	Line-Fuel (Flexible) (11" Long) (Cut to Suit)			
114	●68887	Packing-Needle Valve (Used Before Code Date 85120600).	196	220369	Support-Fuel Tank	270	63426	Locknut-Control Wire Casing
116	280203	Packing-Needle Valve (Used After Code Date 85120500).	197	93083	Screw-Tank Mtg.	271	290568	Lever Assy.-Control
117	●23227	Nut-Needle Valve Packing (Used Before Code Date 85120600).	198	293934	Valve Assembly-Fuel Shut-Off	280	223236	Guide-Control Rod
118	●230005	Valve-Needle (Used Before Code Date 85120600).	199	295896	Outlet-Fuel Tank (Includes Strainer) (For Flexible Fuel Pipe).	300	395959	Muffler-Exhaust
119	93347	Screw-Sem	201	261654	Link-Governor <b>Note:</b> 260178 Spring-Governor Link Used on Type Nos. 4070, 8130, 8132, 8133, 8134.	305	93158	Screw-Blower Housing and Flywheel Guard Mounting
			204	222962	Bushing-Gov. Lever	306	224377	Shield-Cylinder (Used After Code Date 90020400).
			206	231266	Nut-Control Rod		<b>Note:</b> 220478	Shield-Cylinder (Used Before Code Date 90020500).
			207	26855	Spring-Control Rod	307	93490	Screw-Cylinder Shield Mounting
			208	261990	Rod-Control	308	223390	Cover-Cylinder Head
			209	261130	Spring-Governor	333	397316	Armature Group (Magnetron® Ignition)
			219	391737	Gear-Governor			
			220	221551	Washer-Thrust			

\* Included in Gasket Set-Part No. 397144.

● Included in Carburetor Kit-See Ref. 121.

## 82400 to 82499

REF. NO.	PART NO.	DESCRIPTION	REF. NO.	PART NO.	DESCRIPTION	REF. NO.	PART NO.	DESCRIPTION
334	93381	Screw-Armature Mounting	523	69345	Cap-Oil Filler	689	260847	Spring-Friction
337	298809	Plug-Spark (1-1/2" High, 38 mm.)		<b>Note:</b> 297357	Cap-Oil Filler (With Dipstick) Used on Type Nos. 8134, 8573.	690	90746	Screw-Machine, Fil.
		<b>Note:</b> 29693				741	261721	Gear-Timing
		Plug-Spark (2" High, 51 mm.)	524	65304	Gasket-Oil Filler Cap	847	493955	Oil Filler Group
		293918	525	91258	Nipple Oil Filler (2-1/2" Long)	851	221798	Terminal-Ignition Cable
		Plug-Spark (1-5/8" High, 42 mm.) (Resistor Type)	525A	394884	Adapter-Oil Filler With Nipple	852	396397	Air Cleaner Assy.
		492167				869	211172	Seat-Intake Valve (Standard) (Used After Code Date 88062900).
		Plug-Spark (1-7/8" High, 49 mm.)	526	93343	Screw-Bracket Mounting		<b>Note:</b> 210879	Seat-Intake Valve (Used Before Code Date 88063000).
		802592	535	271466	Element-Air Cleaner	870	210452	Seat-Exhaust Valve (Standard)
346	93705	Screw-Sem	552	231079	Bushing-Governor Shaft	871	262001	Guide-Exhaust Valve <b>Note:</b> 63709
353	92791	Washer-Lock	562	92613	Bolt-Governor Lever			Guide Intake Valve (Replacement Only) <b>See Repair Manual</b>
354	90576	Nut-Hex.	575	396691	Switch-Rotary	883	*270774	Gasket-Muffler
356	398874	Wire-Ground	592	231082	Nut-Hex.	916	280321	Gear Rack-Governor
357	91539	Key-3/16" Square	601	93053	Clip-Fuel Pipe	917	223271	Valve Handle-Fuel Shut-Off
358	397144	Gasket Set	608	398034	Starter Assy.-Rewind (10 o'clock)	949	396579	Guard-Rewind Starter
363	19069	Puller-Flywheel		<b>Note:</b> 398035	Starter Assy- Rewind .. (12 o'clock) Used on Type No. 8134.	949A	281192	Guard-Rewind Starter (Used After Code Date 91080400).
370	66432	Washer-Plain	613	94042	Screw-Muffler Mtg.			<b>Note:</b> 280684
373	92987	Nut-Hex.	614	93306	Cotter-Hair Pin			Guard-Rewind Starter (Used Before Code Date 91080500).
378	22032	Washer-Needle Valve Packing	615	93307	Retainer-E-Ring	1016	490817	Spacer
381	93158	Screw-Sem	616	231077	Crank-Governor	1019	491075	Label Kit
383	89838	Wrench-Spark Plug	635	66538	Elbow-Spark Plug			
445	396424	Cartridge-Air Cleaner	642	223306	Cover-Air Cleaner			
446	395642	Base-Air Cleaner	676	393760	Deflector-Exhaust			
467	212706	Knob-Air Cleaner	681	399619	Needle Valve Assembly			
506	90200	Screw-Machine, Fill. Hd.	687	390690	Slide-Friction Control			
507	66895	Insulator-Terminal	688	221766	Cap-Friction Spring			

★ Included in Gasket Set-Part No. 397144.

● Included in Carburetor Kit-  
See Ref. 121.