

**80900 to 80997**  
**81900 to 81997**

## **Illustrated Parts List**

### **MODEL SERIES**

**80900 to 80997**

TYPE NUMBERS

0010 to 0041

0110 to 0293

945000 to 945363

**81900 to 81997**

TYPE NUMBERS

0110 to 0153

945500 to 945831

#### **TO FIND**

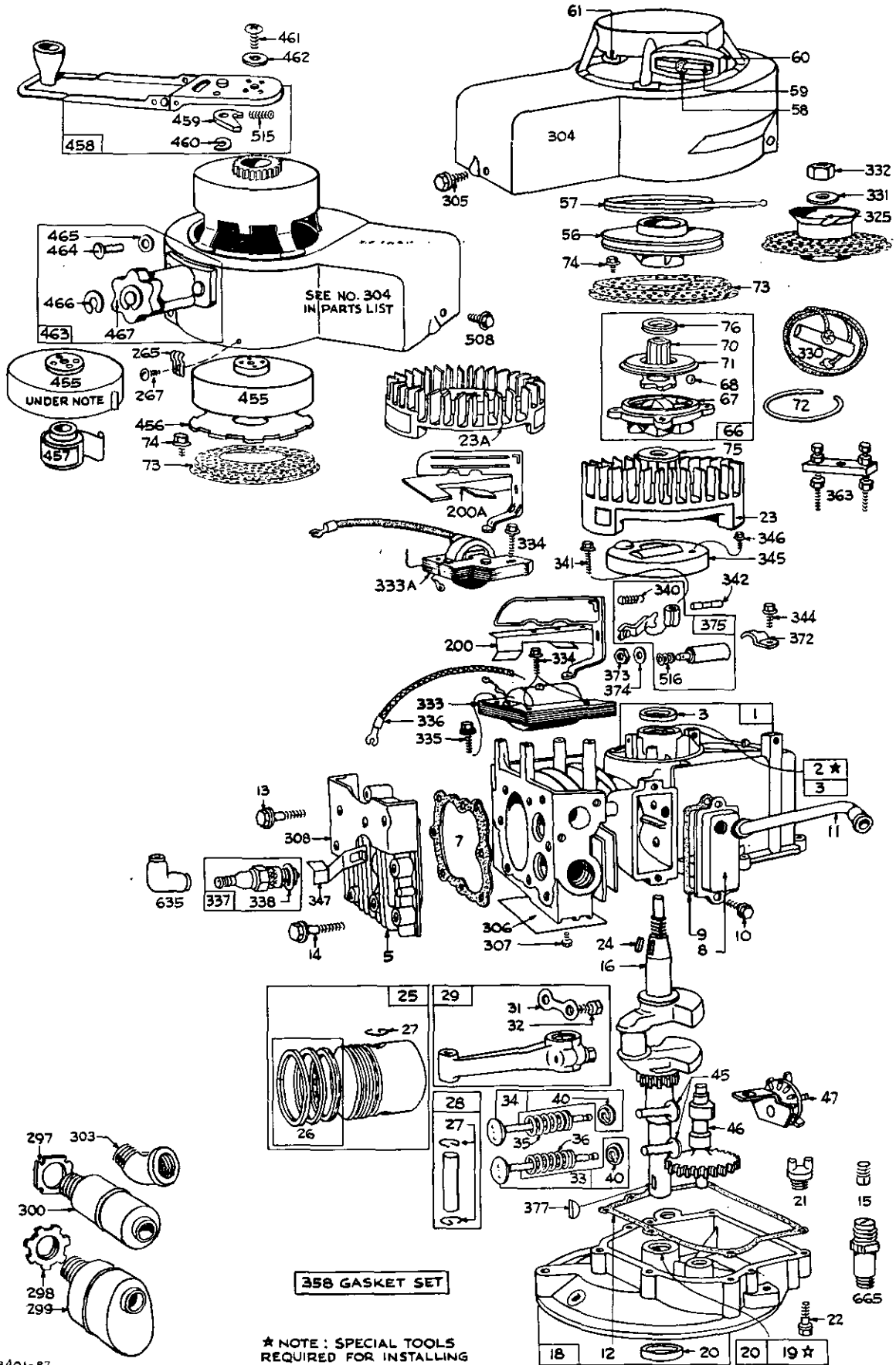
**THE CORRECT NUMBER OF THE PART YOU NEED:  
FOLLOW THE INSTRUCTIONS BELOW.**

- A. Refer to Engine Model, Type and Serial Number that is stamped on the blower housing or name plate of engine. (Engine type numbers such as 954830 are listed complete. Engine type numbers such as 0147 01 are listed herein only as 0147. The two digits (01 or 02, etc.) to the right of the space are not needed for parts identification). Then use the Illustrated Parts List covering these Model Series.
- B. Refer to Illustrated Parts section and compare the old part with illustration. The number on the illustration is the Reference Number. Assemblies include all parts shown in frames. All parts shown in assembly frames on which individual reference numbers are given can be purchased separately.
- C. After the Reference Number has been identified, refer to the Numerical Parts List, where Reference and Master Part Numbers are listed. **THE MASTER PART IS USED ON ALL TYPE NUMBERS EXCEPT THOSE TYPE NUMBERS UNDER "NOTE".**
- D. If a "Note" appears below the Master Part Number, this means that this part differs from the Master Part for certain types. If the Type Number is listed under "Note", order the part referred to.
- E. If the Engine Type Number does not appear after any part number listed under "Note", use the Master Part Number.
- F. For Type Numbers higher than those covered by this book, please refer to the factory if you are unable to identify the part by comparison.

PRINTED IN U.S.A. AT B.S.



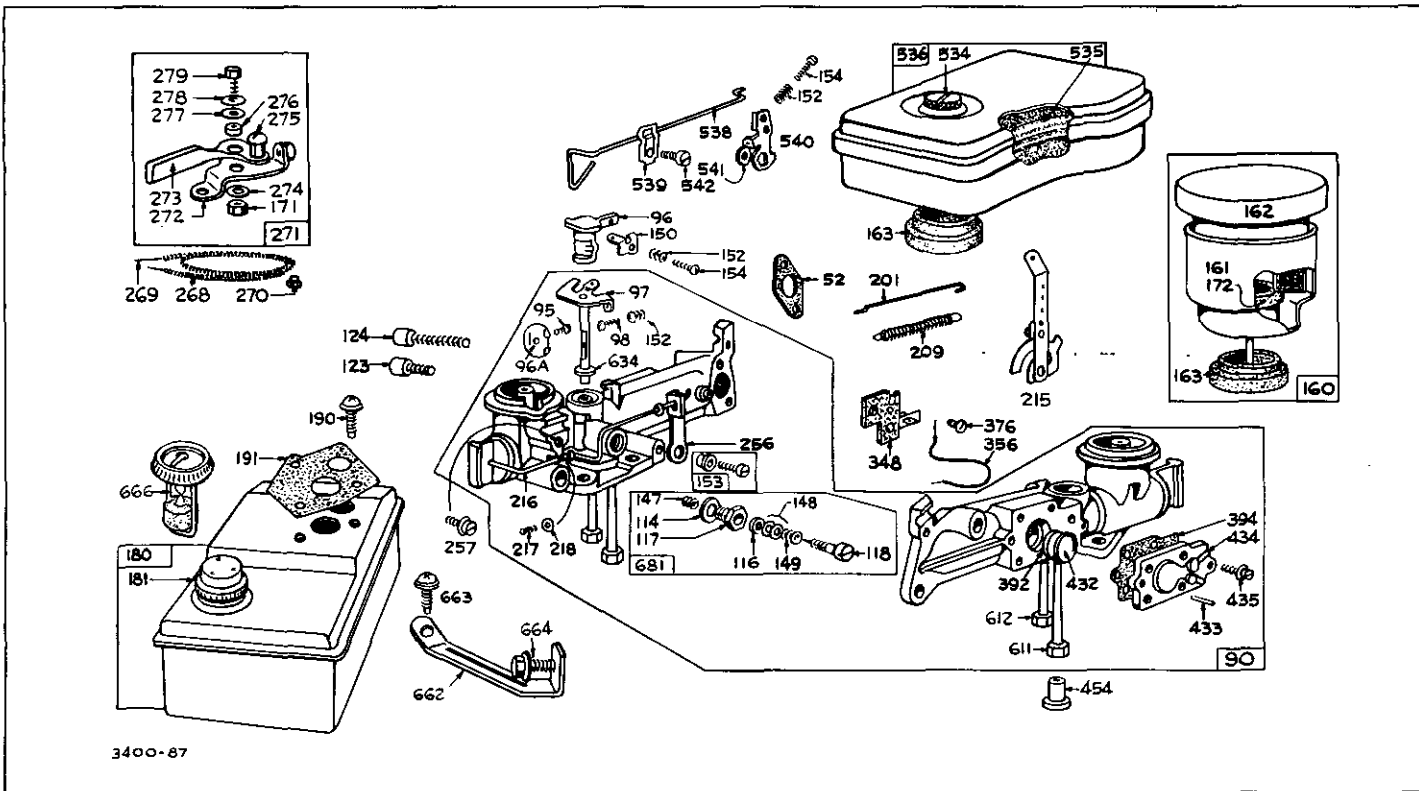
80900 to 80997  
81900 to 81997



3401-87

★ NOTE: SPECIAL TOOLS  
REQUIRED FOR INSTALLING

Assemblies include all parts shown in frames.



Assemblies include all parts shown in frames.

## PARTS LIST - For Model 80900 & 81900 Series

REF. NO.	PART NO.	DESCRIPTION	REF. NO.	PART NO.	DESCRIPTION	REF. NO.	PART NO.	DESCRIPTION
1	295450	Cylinder Assembly Used on Model 80900, 80990 Series engines.		*27617	Gasket - Crankcase - .005" thick		945100, 945110, 945143, 945175, 945215, 945216, 945217, 945219, 945251, 945258, 945264, 945271, 945295, 945296, 945298, 945299, 945301, 945302, 945305, 945307, 945314, 945339, 945341, 945359; also used on Model 81900 Series type Nos. 0133, 0134, 945533, 945534, 945538, 945539, 945540, 945542, 945586, 945587, 945613, 945615, 945616, 945649, 945650, 945667, 945668, 945670, 945691, 945705, 945706, 945707, 945725, 945726, 945772, 945780, 945781, 945788, 945789, 945799,	
	296802	Cylinder Assembly Used on Model 81900, 81990 Series engines.		*27618	Gasket - Crankcase - .009" thick			
2	293708	Bushing - Cylinder <b>Note:</b> Requires special tools for installation.	13	93111	Screw - Cylinder Head (1-15/16" long)			
3	89660	Seal - Oil	14	93113	Screw - Cylinder Head (2-5/16" long)			
5	210812	Head - Cylinder	15	91084	Plug - Oil Drain <b>Note:</b> 93418 Plug - Oil Drain (Socket Head)			
7	*27670	Gasket - Cylinder Head			Used on Model 80900 Series type Nos. 0019, 0134, 0147, 0165, 0166, 0168, 0176, 0184, 0190, 0202, 0214, 0217, 0220, 0223, 0229, 0230, 0232, 0245, 0251, 0257, 0258, 0266, 0275, 0276, 945032, 945061, 945094,			
8	296189	Breather - Valve Chamber						
9	*27549	Gasket - Valve Cover						
10	93394	Screw - Breather Mounting Sem						
11	67298	Tube - Breather						
12	*27586	Gasket - Crankcase - .015" thick (Standard)						

\* Included in Gasket Set - Part No.  
297275.

**80900 to 80997**  
**81900 to 81997**

REF. PART NO.	PART NO.	DESCRIPTION	REF. PART NO.	PART NO.	DESCRIPTION	REF. PART NO.	PART NO.	DESCRIPTION		
16	260124	945801, 945805, 945806, 945815, 945818, 945820. Crankshaft <b>Note:</b> <b>260091</b> Crankshaft Used on <b>Model 80900</b> Series type Nos. 0110, 945010, 945828. <b>260092</b> Crankshaft Used on <b>Model 81900</b> Series type No. 0111. <b>260094</b> Crankshaft Used on <b>Model 80900</b> Series type Nos. 0162, 0255. <b>260096</b> Crankshaft Used on <b>Model 80900</b> Series type Nos. 0017, 0018, 0031, 0143, 0144, 0145, 0154, 0170, 0171, 0179, 0183, 0196, 0199, 0200, 0203, 0209, 0219, 0221, 0236, 0239, 0240, 0243, 0247, 0259, 0260, 0262, 0267, 0270, 0271, 0279, 0281, 0282, 0283, 0284, 0290, 945039, 945050, 945054, 945055, 945057, 945058, 945071, 945072, 945073, 945074, 945091, 945098, 945099, 945106, 945107, 945109, 945122, 945123, 945127, 945128, 945131, 945132, 945133, 945137, 945145, 945156, 945160, 945162, 945171, 945179, 945188, 945192, 945194, 945197, 945220, 945231, 945236, 945237, 945247, 945248, 945263, 945265, 945279, 945286, 945287, 945288, 945289, 945297, 945309, 945313, 945317, 945318, 945321, 945322, 945324, 945325, 945332, 945334, 945337, 945338, 945342; also used on <b>Model 81900</b> Series type Nos. 0142, 0143, 945545, 945564, 945565, 945566, 945567, 945574, 945576, 945595, 945596, 945606, 945611, 945612,			945617, 945622, 945634, 945640, 945647, 945648, 945652, 945653, 945658, 945659, 945660, 945666, 945672, 945673, 945680, 945685, 945686, 945693, 945694, 945702, 945708, 945724, 945731, 945732, 945733, 945736, 945748, 945753, 945760, 945770, 945771, 945785, 945786, 945790, 945792, 945807. <b>260097</b> Crankshaft Used on <b>Model 80900</b> Series type Nos. 0138, 0139, 0186, 0210, 0211, 0230, 0235, 0265, 945118, 945134, 945210, 945219, 945273, 945274, 945326, 945345, 945360; also used on <b>Model 81900</b> Series type Nos. 0146, 945582, 945585, 945588, 945592, 945608, 945614, 945643, 945649, 945678, 945712, 945715, 945725, 945726, 945729, 945757, 945809. <b>260098</b> Crankshaft Used on <b>Model 80900</b> Series type Nos. 0019, 0161, 0165, 0174, 0175, 0176, 0177, 0216, 0217, 0222, 0234, 0258, 0268, 0278, 0291, 945100, 945104, 945105, 945111, 945112, 945115, 945143, 945144, 945152, 945180, 945182, 945229, 945230, 945246, 945264, 945271, 945333, 945348; also used on <b>Model 81900</b> Series type Nos. 0133, 0140, 945535, 945537, 945573, 945579, 945586, 945587, 945598, 945599, 945651, 945667, 945695, 945742, 945746, 945747, 945750, 945751, 945772, 945784, 945797, 945801, 945805, 945806, 945824. <b>260099</b> Crankshaft Uses: <b>220708</b> Shim – Crkshft., Thrust					Used on <b>Model 80900</b> Series type Nos. 0040, 0131, 0132, 0140, 0189, 0191, 0241, 0250, 0252, 0272, 0274, 0286, 945025, 945029, 945030, 945031, 945035, 945041, 945046, 945048, 945049, 945064, 945067, 945081, 945083, 945084, 945092, 945096, 945146, 945147, 945149, 945178, 945191, 945200, 945206, 945208, 945209, 945225, 945228, 945241, 945262, 945281, 945290, 945323, 945328, 945329, 945350, 945352, 945353; also used on <b>Model 81900</b> Series type Nos. 0144, 945526, 945528, 945530, 945532, 945546, 945549, 945550, 945551, 945561, 945570, 945584, 945601, 945620, 945624, 945636, 945639, 945676, 945677, 945703, 945704, 945728, 945730, 945749, 945763, 945765, 945766, 945782. <b>260133</b> Crankshaft Used on <b>Model 80900</b> Series type Nos. 945085, 945086, 945090, 945177; also used on <b>Model 81900</b> Series type No. 945779. <b>260197</b> Crankshaft Used on <b>Model 81900</b> Series type No. 945563. <b>260224</b> Crankshaft Uses: <b>220708</b> Shim – Crkshft., Thrust Used on <b>Model 80900</b> Series type Nos. 0142, 0156, 0180, 0181, 0187, 0195, 0207, 0215, 0218, 0231, 0253, 0257, 945036, 945051, 945053, 945065, 945120, 945121, 945129, 945130, 945157, 945158, 945185, 945196, 945199, 945203, 945211, 945212, 945221, 945226, 945232, 945233,

\* Included in Gasket Set – Part No.  
297275.

# 80900 to 80997 81900 to 81997

REF. PART NO.	REF. PART NO.	REF. PART NO.
NO.	NO.	NO.
DESCRIPTION	DESCRIPTION	DESCRIPTION
<p>945267, 945268, 945319, 945343; also used on <b>Model 81900</b> Series type Nos. 0151, 945536, 945594, 945597, 945604, 945623, 945635, 945641, 945661, 945662, 945664, 945684, 945687, 945688, 945716, 945717, 945718, 945719, 945739, 945740, 945793, 945794, 945796, 945803, 945825.</p> <p><b>260235</b> Crankshaft Used on <b>Model 80900</b> Series type Nos. 0184, 0232, 0251, 0264, 0275, 945175; also used on <b>Model 81900</b> Series type Nos. 945602, 945603, 945644, 945645, 945683, 945781.</p> <p><b>260319</b> Crankshaft Used on <b>Model 80900</b> Series type Nos. 0148, 0227, 945255.</p> <p><b>260370</b> Crankshaft Used on <b>Model 80900</b> Series type Nos. 0022, 0201, 945176; also used on <b>Model 81900</b> Series type Nos. 0134, 945720 945800, 945820.</p> <p><b>260390</b> Crankshaft Used on type Nos. 945615, 945616.</p> <p><b>260400</b> Crankshaft Used on <b>Model 80900</b> Series type Nos. 0033, 945238; also used on <b>Model 81900</b> Series type Nos. 945578, 945682.</p> <p><b>260451</b> Crankshaft Used on type No. 945654.</p> <p><b>260502</b> Crankshaft Used on type Nos. 945571, 945572, 945628, 945696, 945697, 945698.</p> <p><b>260535</b> Crankshaft Used on <b>Model 80900</b> Series type No. 945161; also used on <b>Model 81900</b> Series type No. 945679.</p>	<p><b>260601</b> Crankshaft Used on <b>Model 80900</b> Series type Nos. 0212, 0213, 945173, 945195, 945223, 945245, 945292, 945330; also used on <b>Model 81900</b> Series type Nos. 945707, 945743, 945744.</p> <p><b>260670</b> Crankshaft Used on <b>Model 80900</b> Series type Nos. 0021, 0032, 0149, 0150, 0151, 0152, 0153, 945138, 945139, 945148, 945202, 945252, 945253, 945256, 945257, 945275, 945280, 945300; also used on <b>Model 81900</b> Series type Nos. 945692, 945821.</p> <p><b>260686</b> Crankshaft Used on type Nos. 945151, 945207.</p> <p><b>18 293512</b> Sump - Oil <b>Note:</b> <b>294231</b> Sump - Oil Used on <b>Model 80990 to 80997 and 81990 to 81997</b> Series with 3/4" dia. auxiliary P. T. O. shaft --- to replace sump on these Model Series with a 1/2" dia. auxiliary P. T. O. shaft order No. 298280.</p> <p><b>295032</b> Sump - Oil Used on type Nos. 945267, 945268, 945707, 945794, 945796.</p> <p><b>295041</b> Sump - Oil Used on <b>Model 80900</b> Series type Nos. 0019, 0141, 0162, 0163, 0176, 0190, 0198, 0206, 0268, 945061, 945076, 945077, 945100, 945124, 945125, 945152, 945168, 945183, 945264, 945266, 945269, 945270; also used on <b>Model 81900</b> Series type Nos. 945579, 945586, 945587, 945598, 945599, 945650, 945695, 946698, 945705, 945706, 945742, 945772, 945791, 945795,</p>	<p>945801, 945806.</p> <p><b>19 293709</b> Sump - Oil Used on <b>Model 80900</b> Series type No. 0142. <b>Note:</b> Requires special tools for installation.</p> <p><b>20 291841</b> Bushing - Oil Sump <b>Note:</b> <b>294167</b> Seal - Oil (Crankshaft - P. T. O. Side) <b>294160</b> Seal - Oil (For 3/4" dia. Auxiliary Drive Shaft) Used on <b>Model 80900 to 80997 and 81990 to 81997</b> Series. <b>298041</b> Seal - Oil (For 1/2" dia. Auxiliary Drive Shaft) Used on <b>Model 80990 to 80997 and 81990 to 81997</b> Series.</p> <p><b>21 66768</b> Plug - Oil Filler</p> <p><b>22 93032</b> Screw - Sump Mtg. Sem</p> <p><b>23 293205</b> Flywheel - Magneto (Used before Serial No. 6212310)</p> <p><b>- Note:</b> <b>295936</b> Flywheel - Magneto Used before Serial No. 6212310 on type Nos. 945068, 945081, 945091, 945094, 945100, 945101, 945104, 945105, 945116, 945118, 945120, 945124, 945134, 945143, 945152, 945161, 945163, 945172, 945178, 945186, 945187, 945219, 945227, 945230, 945235, 945240, 945255, 945537, 945579, 945585, 945586, 945587, 945598, 945599, 945608, 945614, 945641, 945643, 945649, 945651, 945661, 945667, 945678, 945679, 945681, 945695, 945699, 945701, 945712, 945713, 945714, 945715, 945716, 945717, 945718, 945719, 945725, 945726, 945737, 945742, 945750, 945751, 945752, 945753, 945766, 945772,</p>

\* Included in Gasket Set - Part No. 297275.

**80900 to 80997**  
**81900 to 81997**

REF. NO.	PART NO.	DESCRIPTION	REF. NO.	PART NO.	DESCRIPTION	REF. NO.	PART NO.	DESCRIPTION
		945773, 945778, 945781, 945783, 945789, 945791, 945793, 945794, 945795, 945796, 945797, 945801, 945805, 945806, 945815.						
<b>23A</b>	<b>297949</b>	Flywheel - Magneto (Used on and after Serial No. 6212310)		<b>295589</b>	Piston Assembly - .020" O. S. Used on <b>Model 80900, 80990 Series.</b>			<b>210495</b> Ring, Piston, Comp., Center, .030" O. S.
	<b>Note:</b>	<b>296884</b> Flywheel - Magneto Used on and after Serial No. 6212310 on <b>Model 80900 Series</b> type Nos. 0019, 0020, 0133, 0134, 0137, 0138, 0139, 0141, 0142, 0144, 0148, 0162, 0163, 0164, 0165, 0176, 0177, 0186, 0187, 0188, 0196, 0198, 0217, 0220, 0221, 0222, 0225, 0230, 0234, 0245, 0249, 0252, 0255, 0256, 0257, 0258, 0263, 0264, 0268, 0269, 0273, 945081, 945187, 945244, 945255, 945264, 945266, 945267, 945268, 945269, 945270, 945271, 945273, 945274, 945287, 945288, 945307, 945310, 945328, 945329, 945335, 945336, 945339, 945341, 945359, 945360, 945362; also used on <b>Model 81900 Series</b> type Nos. 0133, 0137, 0138, 0150, 945651, 945822, 945823.		<b>Note:</b>	<b>295457</b> Piston Assy. - .020" O. S. Used on <b>Model 81900, 81990 Series.</b>			<b>210497</b> Ring, Piston, Oil, .030" O. S.
				<b>295590</b>	Piston Assembly - .030" O. S. Used on <b>Model 80900, 80990 Series.</b>			<b>MODEL 81900, 81990 SERIES RING SETS:</b>
				<b>Note:</b>	<b>295458</b> Piston Assy. - .030" O. S. Used on <b>Model 81900, 81990 Series.</b>		<b>295657</b>	Ring Set - Standard Piston Consists of: <b>210796</b> Ring, Piston, Comp., Top, Standard <b>210797</b> Ring, Piston, Comp., Center, Standard <b>295661</b> Ring, Oil (w/expander) Standard
					<b>MODEL 80900, 80990 SERIES RING SETS:</b>		<b>295658</b>	Ring Set - .010" O. S. Piston Consists of: <b>210799</b> Ring, Piston, Comp., Top, .010" O. S. <b>210798</b> Ring, Piston, Comp., Center, .010" O. S. <b>295662</b> Ring, Oil (w/expander) .010" O. S.
<b>24</b>	<b>61760</b>	Key - Flywheel	<b>26</b>	<b>294232</b>	Ring Set - Standard Piston Consists of: <b>210471</b> Ring, Piston, Comp., Top, Standard <b>210472</b> Ring, Piston, Comp., Center, Standard <b>210473</b> Ring, Piston, Oil, Standard		<b>295659</b>	Ring Set - .020" O. S. Piston Consists of: <b>210801</b> Ring, Piston, Comp., Top, .020" O. S. <b>210800</b> Ring, Piston, Comp., Center, .020" O. S. <b>295663</b> Ring, Oil (w/expander) .020" O. S.
<b>25</b>	<b>295587</b>	Piston Assembly - Standard Used on <b>Model 80900, 80990 Series.</b>		<b>294224</b>	Ring Set - .010" O. S. Piston Consists of: <b>210490</b> Ring, Piston, Comp., Top, .010" O. S. <b>210489</b> Ring, Piston, Comp., Center, .010" O. S. <b>210491</b> Ring, Piston, Oil, .010" O. S.		<b>295660</b>	Ring Set - .030" O. S. Piston Consists of: <b>210802</b> Ring, Piston, Comp., Center, .030" O. S. <b>210803</b> Ring, Piston, Comp., Top, .030" O. S. <b>295664</b> Ring, Oil (w/expander) .030" O. S.
	<b>Note:</b>	<b>295455</b> Piston Assy. - Standard Used on <b>Model 81900, 81990 Series.</b>		<b>294225</b>	Ring Set - .020" O. S. Piston Consists of: <b>210493</b> Ring, Piston, Top, .020" O. S. <b>210492</b> Ring, Piston, Comp., Center, .020" O. S. <b>210494</b> Ring, Piston, Oil, .020" O. S.		<b>27</b>	<b>26026</b> Lock - Piston Pin
							<b>28</b>	<b>291925</b> Pin Assembly - Piston - Standard
	<b>295588</b>	Piston Assembly - .010" O. S. Used on <b>Model 80900, 80990 Series.</b>		<b>294226</b>	Ring Set - .030" O. S. Piston Consists of: <b>210496</b> Ring, Piston, Comp., Top, .030" O. S.		<b>291926</b>	Pin Assembly - Piston - .005" O. S.
	<b>Note:</b>	<b>295456</b> Piston Assy. - .010" O. S. Used on <b>Model 81900, 81990 Series.</b>					<b>29</b>	<b>294201</b> Rod Assembly - Connecting

\* Included in Gasket Set - Part No. 297275.

80900 to 80997  
81900 to 81997

REF. NO.	PART NO.	DESCRIPTION	REF. NO.	PART NO.	DESCRIPTION	REF. NO.	PART NO.	DESCRIPTION
31	220756	Lock - Connecting Rod Screw	61	66528	Bumper - Starter Pulley			Used on type Nos. 945615, 945616.
32	92296	Screw - Connecting Rod	66	298310	Clutch Assembly - Rewind and Wind-up Starter	74	93042	Screw - Rotating Screen Mounting Sem
33	296676	Valve - Exhaust			Used after Serial No. 6405220.	75	220865	Washer - Spring (Used to lock rewind starter clutch)
34	296677	Valve - Intake			<b>Note:</b> 296468 Clutch Assy. - Rewind and Wind-up Starter			<b>Note:</b> 62577 Washer Used on type Nos. 945615, 945616.
35	260552	Spring - Intake Valve	67	211383	Housing - Starter Clutch Used after Serial No. 6405220.	76	66738	Washer - Ratchet Sealing (Used only with 7 point shank ratchet)
36	26478	Spring - Exhaust Valve			<b>Note:</b> 210400 Housing - Starter Clutch Used before Serial No. 6405250.	90	296242	Carburetor Assembly (Choke-A-Matic)
40	93312	Retainer - Valve Spring	68	63770	Ball - Clutch			<b>Note:</b> 296262 Carburetor Assy. (Manual Choke) Used on Model 80900 Series type Nos. 0110, 0162, 0163, 0165, 0176, 0236, 0255, 0268, 0270, 0271, 0291, 0292, 945010, 945011, 945015, 945025, 945027, 945030, 945034, 945047, 945110, 945143, 945152, 945161, 945209, 945230, 945240, 945264, 945266, 945267, 945268, 945269, 945270, 945271, 945320, 945334, 945346; also used on Model 81900 Series type Nos. 0111, 0115, 0128, 0145, 945511, 945530, 945547, 945548, 945550, 945579, 945583, 945605, 945683, 945695, 945712, 945713, 945714, 945715, 945716, 945717, 945718, 945719, 945742, 945755, 945756, 945781, 945783, 945797, 945801, 945806, 945824.
45	230173	Tappet - Valve	70	298436	Ratchet - Rewind and Wind-up Starter Used after Serial No. 6405220.			296278 Carburetor Assy. (Manual Choke)
46	210453	Gear - Cam (Used only on Model 80901, 80902, 80906, 81901, 81902, 81906 Series.)			<b>Note:</b> 296597 Ratchet - Rewind and Wind-up Starter Used before Serial No. 6405250.			Used on Model 80901, 80902, 80906, 81901, 81902, 81906 Series --- For 1/2" dia. Shaft P. T. O. End
		<b>Note:</b> 210804 Gear - Cam (3/4" dia. Shaft P. T. O. End) Used on Model 80991, 80992, 80996, 81991, 81992, 81996 Series --- For 1/2" dia. Shaft P. T. O. end Cam Gear for Model 80991, 80992, 80996, 81991, 81992, 81996 Series -- order No. 211337.	71	221653	Washer - Clutch Retainer Used after Serial No. 6405220.			Used on Model 80991, 80992, 80996, 81991, 81992, 81996 Series, with 3/4" dia. auxiliary P. T. O. Shaft --- For these Model Series with 1/2" dia. auxiliary P. T. O. Shaft order No. 294652.
47	294652	Oil Slinger Gear and Bracket Used on Model 80901, 80902, 80906, 81901, 81902, 81906 Series.			<b>Note:</b> 221301 Washer - Clutch Retainer (Used with square shank ratchet) Used before Serial No. 6405250.			Used on Model 80991, 80992, 80996, 81991, 81992, 81996 Series, with 3/4" dia. auxiliary P. T. O. Shaft --- For these Model Series with 1/2" dia. auxiliary P. T. O. Shaft order No. 294652.
		<b>Note:</b> 294718 Oil Slinger Gear and Bracket Used on Model 80991, 80992, 80996, 81991, 81992, 81996 Series, with 3/4" dia. auxiliary P. T. O. Shaft --- For these Model Series with 1/2" dia. auxiliary P. T. O. Shaft order No. 294652.	72	26032	Spring - Clutch Retainer Used before Serial No. 6405250.			Used on Model 80900 Series type Nos. 0137, 0141, 0142, 0177, 0186, 0187, 0188, 0217, 0258, 0264, 945091, 945102, 945103, 945118, 945120, 945186,
52	*27909	Gasket - Intake Elbow Mounting	73	221661	Screen - Rotating Used after Serial No. 6405220.			
56	294088	Pulley - Rewind Starter			<b>Note:</b> 220648 Screen - Rotating Used before Serial No. 6405250.			
57	294303	Spring - Rewind Starter			221287 Screen - Rotating			
58	66384	Rope - Rewind Starter - 47-1/8" Long						
		<b>Note:</b> If longer rope is needed, order No. 66514 and cut to required length.						
59	230228	Pin - Starter Rope						
60	66728	Grip - Starter Rope						

\* Included in Gasket Set - Part No. 297275.

**80900 to 80997**  
**81900 to 81997**

REF. NO.	PART NO.	DESCRIPTION	REF. NO.	PART NO.	DESCRIPTION	REF. NO.	PART NO.	DESCRIPTION						
		945187, 945246, 945354; also used on <b>Model 81900</b> Series type Nos. 0128, 0140, 945525, 945526, 945527, 945528, 945537, 945544, 945584, 945586, 945587, 945598, 945599, 945600, 945601, 945608, 945614, 945619, 945641, 945643, 945651, 945652, 945653, 945655, 945699, 945700, 945701, 945728, 945737, 945738, 945749, 945752, 945753, 945763, 945777, 945791, 945794, 945795, 945796, 945812, 945813, 945818.			Series type Nos. 0019, 0020, 0021, 945100, 945101; also used on <b>Model 81900</b> Series type Nos. 945772, 945773.	<b>163</b>	<b>*27660</b>	Gasket – Air Cleaner Mounting						
		<b>296314</b> Carburetor Assy. (Choke-A-Matic) Used on <b>Model 80900</b> Series type Nos. 0015, 0016, 0017, 0018, 0022, 0030, 0031, 0033, 0040, 0135, 0136, 0178, 0202, 0223, 0243, 0246, 0247, 945069, 945070, 945071, 945083, 945097, 945098, 945099, 945162, 945167, 945180, 945181, 945182, 945192, 945198, 945199, 945200, 945205, 945210, 945215, 945216, 945226, 945238, 945250, 945260, 945295, 945347; also used on <b>Model 81900</b> Series type Nos. 945538, 945542, 945568, 945577, 945582, 945588, 945589, 945590, 945592, 945595, 945604, 945609, 945610, 945615, 945617, 945656, 945657, 945658, 945668, 945691, 945729, 945730, 945736, 945746, 945747, 945759, 945761, 945769, 945770, 945771, 945774, 945788, 945793.	<b>95</b>	<b>93385</b>	<b>297919</b> Carburetor Assy. (Manual Choke) Used on type Nos. 945163, 945244.	<b>171</b>	<b>92129</b>	Nut – Hex. – 1/4-28						
		<b>296510</b> Carburetor Assy. (Manual Choke) Used on type No. 945649.	<b>96</b>	<b>210957</b>	Throttle – Carburetor	<b>172</b>	<b>27795</b>	Gasket – Air Cleaner						
		<b>297353</b> Carburetor Assy. (Manual Choke) Used on <b>Model 80900</b>	<b>96A</b>	<b>211237</b>	Valve – Throttle	<b>180</b>	<b>296167</b>	Tank Assembly – Fuel						
			<b>97</b>	<b>297961</b>	Shaft and Lever – Throttle	<b>Note:</b>	<b>296312</b>	Tank Assembly – Fuel						
			<b>98</b>	<b>93392</b>	Screw – Machine, Rd. Hd. – 5-40 x 1/2"			Used on <b>Model 80900</b> Series type Nos. 0015, 0016, 0017, 0018, 0019, 0020, 0021, 0022, 0030, 0031, 0033, 0040, 0135, 0136, 0178, 0202, 0223, 945069, 945070, 945071, 945083, 945097, 945098, 945099, 945100, 945101, 945162, 945167, 945180, 945181, 945182, 945192, 945198, 945199, 945200, 945210, 945215, 945216, 945226, 945238, 945250, 945260, 945295, 945296, 945347; also used on <b>Model 81900</b> Series type Nos. 945538, 945542, 945568, 945577, 945582, 945588, 945589, 945590, 945592, 945595, 945604, 945610, 945615, 945617, 945656, 945657, 945658, 945668, 945691, 945729, 945730, 945736, 945746, 945747, 945759, 945761, 945769, 945770, 945771, 945774, 945788, 945793.	<b>114</b>	<b>66594</b>	Gasket – Needle Valve Nut			
			<b>116</b>	<b>65978</b>	Packing – Needle Valve									
			<b>117</b>	<b>230590</b>	Nut – Needle Valve									
			<b>118</b>	<b>23433</b>	Valve – Needle									
			<b>123</b>	<b>93353</b>	Screw – Carburetor Mtg.									
			<b>124</b>	<b>93360</b>	Screw – Carburetor Mtg.									
			<b>147</b>	<b>230591</b>	Seat – Needle Valve									
			<b>148</b>	<b>22235</b>	Washer – Needle Valve (2)									
			<b>149</b>	<b>26336</b>	Spring – Needle Valve									
			<b>150</b>	<b>220105</b>	Connector – Governor Link									
			<b>152</b>	<b>260746</b>	Spring – Throttle Adjustment									
			<b>153</b>	<b>298031</b>	Screw – Carburetor Lever									
			<b>154</b>	<b>93349</b>	Screw – Machine, Rd. Hd. – 5-40 x 5/8"									
				<b>Note:</b>	<b>93350</b> Screw – Machine, Rd. Hd. – 5-40 x 3/4" Used on <b>Model 80900</b> Series type Nos. 0019, 0020, 0021, 0162, 0163, 0236, 0270, 0292, 945152, 945161, 945240, 945266, 945267, 945268, 945269, 945270, 945334; also used on <b>Model 81900</b> Series type Nos. 945527, 945528, 945649, 945695, 945742, 945756.	<b>181</b>	<b>298425</b>	Cap – Fuel Tank						
						<b>Note:</b>	<b>297863</b>	Cap – Fuel Tank Used on <b>Model 80900</b> Series type No. 0184.						
						<b>190</b>	<b>93259</b>	Screw – Fuel Tank Mtg.						
						<b>191</b>	<b>*27911</b>	Gasket – Fuel Tank Mtg.						
						<b>200</b>	<b>294617</b>	Blade – Governor (Used before Serial No. 6212310)						
						<b>200A</b>	<b>297309</b>	Blade – Governor (Used on and after Serial No. 6212310)						
			<b>160</b>	<b>294870</b>	Cleaner Assembly – Air (with mounting stud)	<b>201</b>	<b>260457</b>	Link – Governor and Throttle						
			<b>161</b>	<b>293991</b>	Bowl – Air Cleaner	<b>209</b>	<b>260471</b>	Spring – Governor (Choke-A-Matic)						
			<b>162</b>	<b>294861</b>	Cover and Filter – Air Cleaner (with mounting stud)	<b>Note:</b>	<b>260468</b>	Spring – Governor (Manual Choke)						

\* Included in Gasket Set – Part No. 297275.



80900 to 80997  
81900 to 81997

REF. PART NO.	PART NO.	DESCRIPTION	REF. PART NO.	PART NO.	DESCRIPTION	REF. PART NO.	PART NO.	DESCRIPTION
		Used on <b>Model 80900</b> Series type Nos. 0019, 0020, 0021, 0110, 0137, 0141, 0142, 0162, 0163, 0165, 0176, 0177, 0186, 0187, 0188, 0217, 0236, 0255, 0258, 0264, 0268, 0270, 0271, 0291, 0292, 945010, 945011, 945015, 945025, 945027, 945030, 945034, 945091, 945100, 945101, 945102, 945103, 945209, 945230, 945240, 945246, 945264, 945266, 945267, 945268, 945269, 945270, 945271, 945320, 945334, 945346, 945354; also used on <b>Model</b> <b>81900</b> Series type Nos. 0111, 0115, 0128, 0140, 0145, 945511, 945525, 945526, 945527, 945528, 945530, 945537, 945544, 945547, 945548, 945550, 945579, 945583, 945584, 945586, 945587, 945598, 945599, 945600, 945601, 945605, 945608, 945614, 945619, 945641, 945643, 945649, 945651, 945652, 945653, 945655, 945683, 945695, 945699, 945700, 945701, 945712, 945713, 945714, 945715, 945716, 945717, 945718, 945719, 945728, 945737, 945738, 945742, 945749, 945752, 945753, 945756, 945763, 945772, 945773, 945777, 945781, 945783, 945818, 945824. <b>260471</b> Spring - Governor (Manual Choke) Used on type No. 945110. <b>260591</b> Spring - Governor (Choke-A-Matic) (for 3400 to 3600 rpm top speed set - no load) Used on <b>Model 80900</b> Series type Nos. 0015, 0016, 0017, 0018, 0022, 0030, 0031, 0032, 0033, 0040, 0134, 0135, 0136, 0138, 0139, 0140, 0143,			0144, 0145, 0146, 0149, 0150, 0151, 0152, 0153, 0155, 0156, 0157, 0158, 0159, 0160, 0161, 0166, 0173, 0174, 0175, 0178, 0179, 0182, 0185, 0189, 0192, 0193, 0194, 0195, 0196, 0198, 0202, 0203, 0204, 0205, 0206, 0207, 0208, 0215, 0219, 0220, 0222, 0223, 0227, 0229, 0230, 0231, 0233, 0235, 0237, 0238, 0240, 0241, 0249, 0250, 0253, 0256, 0262, 0266, 0269, 0273, 0274, 0276, 0278, 0280, 0281, 0282, 0283, 0284, 0290, 945035, 945036, 945037, 945045, 945048, 945054, 945055, 945056, 945076, 945077, 945082, 945093, 945108, 945115, 945116, 945117, 945119, 945124, 945125, 945126, 945129, 945130, 945132, 945133, 945134, 945137, 945144, 945145, 945146, 945147, 945150, 945151, 945159, 945163, 945164, 945167, 945168, 945174, 945183, 945184, 945185, 945190, 945191, 945193, 945194, 945201, 945202, 945203, 945204, 945205, 945206, 945207, 945215, 945216, 945217, 945219, 945221, 945229, 945232, 945233, 945238, 945239, 945242, 945244, 945249, 945250, 945252, 945253, 945256, 945257, 945260, 945273, 945274, 945275, 945281, 945282, 945287, 945288, 945289, 945291, 945295, 945296, 945297, 945298, 945299, 945300, 945302, 945304, 945307, 945311, 945312, 945313, 945315, 945325, 945333, 945339, 945341, 945347, 945349, 945355, 945358, 945360; also used on <b>Model</b> <b>81900</b> Series type Nos.			0133, 0134, 0141, 0144, 0146, 0147, 0151, 945529, 945567, 945578, 945642, 945646, 945661, 945666, 945668, 945669, 945672, 945675, 945676, 945677, 945678, 945679, 945696, 945697, 945698, 945722, 945725, 945726, 945731, 945760, 945787, 945788, 945789, 945790, 945792, 945793, 945799, 945803, 945805, 945815, 945820, 945821, 945826, 945827, 945829. <b>260596</b> Spring - Governor (Choke-A-Matic) (for 4000 to 4200 rpm top speed set - no load) Used on <b>Model 80900</b> Series type Nos. 0133, 0234, 0243, 0246, 0247, 945255, 945318, 945319; also used on <b>Model 81900</b> Series type Nos. 945567, 945666, 945705, 945706, 945707, 945723, 945741. <b>260598</b> Spring - Governor (Choke-A-Matic) (for 3200 to 3400 rpm top speed set - no load) Used on <b>Model 80900</b> Series type Nos. 0147, 0167, 0168, 0170, 0171, 0180, 0181, 0184, 0197, 0201, 0210, 0211, 0232, 0239, 0242, 0248, 0251, 0252, 0267, 0272, 0275, 0279, 945046, 945078, 945127, 945128, 945138, 945139, 945156, 945157, 945158, 945175, 945176, 945188, 945196, 945197, 945211, 945212, 945213, 945243, 945251, 945258, 945280, 945301, 945305, 945317, 945321, 945322, 945323, 945328, 945337, 945342, 945343, 945344, 945345; also used on <b>Model</b> <b>81900</b> Series type Nos. 0139, 0142, 0143, 945670, 945685, 945686,

\* Included in Gasket Set - Part No.  
297275.

**80900 to 80997**  
**81900 to 81997**

REF. PART NO.	PART NO.	DESCRIPTION	REF. PART NO.	PART NO.	DESCRIPTION	REF. PART NO.	PART NO.	DESCRIPTION			
215	293424	945687, 945688, 945691, 945733, 945739, 945780, 945786, 945811. Control – Governor <b>Note:</b> <b>220107</b> Cam – Speed Adjuster <b>220949</b> Lever – Speed Adjuster Used on <b>Model 80900</b> Series type Nos. 945091, 945102, 945103, 945118, 945120, 945186, 945187; also used on <b>Model 81900</b> Series type Nos. 945525, 945526, 945527, 945528, 945537, 945544, 945584, 945586, 945587, 945598, 945599, 945600, 945601, 945608, 945614, 945619, 945641, 945643, 945651, 945652, 945653, 945655, 945695, 945699, 945700, 945701, 945728, 945737, 945738, 945749, 945752, 945753, 945763, 945777, 945791, 945794, 945795, 945796, 945812, 945813. <b>220678</b> Lever – Speed Adjuster <b>220107</b> Cam – Speed Adjuster <b>298031</b> Screw – Carburetor Lever <b>92696</b> Screw – Machine, Rd. Hd. – 5-40 x 3/4" <b>260575</b> Spring – Throttle Adjustment <b>22398</b> Washer – Speed Adjuster Used on type No. 945649.	269	26099	No. 66986 and cut to required length. Wire – Control, 54" Long <b>Note:</b> If longer wire is needed, specify length in inches; if shorter casing is needed order No. 26099 and cut to required length.	303	91810	Series type Nos. 0167, 0173, 945078, 945213. <b>297975</b> Muffler – Exhaust Uses: <b>296045</b> Clamp – Muffler <b>230672</b> Nipple – Muffler Used on type No. 945273. Elbow – Exhaust, 45°, Street <b>Note:</b> <b>91943</b> Elbow – Exhaust, 90°, Street Used on <b>Model 80900</b> Series type Nos. 0147, 0184, 0196, 0201, 0251, 0257, 945163, 945175, 945176, 945244, 945251, 945258, 945287, 945288; also used on <b>Model 81900</b> Series type Nos. 945720, 945781, 945800.			
216	260449	Link – Choke	270	63426	Locknut – Control Wire Casing	304	294260	Housing – Blower (For Rewind Starter) <b>Note:</b> <b>294263</b> Housing – Blower (For Rope Starter) Used on <b>Model 80901</b> , <b>81901</b> Series. <b>294282</b> Housing – Blower (For Rewind Starter) Used on <b>Model 80900</b> Series type Nos. 0148, 0257, 0264, 945043, 945091, 945186, 945255, 945357; also used on <b>Model 81900</b> Series type Nos. 945563, 945571, 945589, 945597, 945611, 945737, 945767. <b>294338</b> Housing – Blower (For Rewind Starter) Used on <b>Model 80900</b> Series type Nos. 0016, 0017, 0018, 0022, 0143, 0146, 0150, 0161, 0163, 0185, 0186, 0187, 0200, 0203, 0206, 0208, 0217, 0219, 0249, 0250, 0261, 0262, 0268, 0277, 0285, 0286, 945033, 945041, 945049, 945050, 945051, 945056, 945062, 945064, 945073, 945079, 945097, 945099, 945104, 945106,			
217	260189	Spring – Choke Link	271	290568	Lever Assembly – Control						
218	221198	Washer – Choke Link (3)	272	290584	Base – Control Lever						
256	220952	Lever – Speed Adjuster	273	290642	Lever – Control						
257	93263	Screw – Sem	274	91237	Washer – Lock – 1/4 x 3/32 x 5/64"						
265	221407	Clamp – Casing	275	92287	Screw – Machine, Rd. Hd. – 10-32 x 1/2"						
267	93351	Screw	276	22834	Washer – Spacer						
268	66986	Casing – Control Wire – 48" Long <b>Note:</b> If longer casing is needed, specify length in inches; if a shorter casing is needed order	277	22368	Washer – Control Lever						
			278	22725	Washer – Control Lever						
			279	92306	Screw – Cap, Hex. Hd. – 1/4-28 x 5/8"						
			297	91811	Locknut – Exhaust Elbow						
			298	220859	Locknut – Muffler						
			299	294441	Muffler – Exhaust (Lo-Tone)						
			300	89966	Muffler – Exhaust <b>Note:</b> <b>292054</b> Muffler – Exhaust Used on <b>Model 80900</b> Series type Nos. 0144; also used on <b>Model 81900</b> Series type Nos. 945705, 945706, 945707, 945723, 945741. <b>295905</b> Muffler – Exhaust Used on <b>Model 80900</b> Series type Nos. 0143, 0203, 0216, 0218, 0262; also Used on <b>Model 81900</b> Series type Nos. 945536, 945568, 945577, 945582, 945586, 945587, 945720, 945800, 945825. <b>296653</b> Muffler – Exhaust Uses: <b>296045</b> Clamp – Muffler <b>230672</b> Nipple – Muffler Used on <b>Model 80900</b>						

\* Included in Gasket Set – Part No. 297275.

80900 to 80997  
81900 to 81997

REF. PART NO.	PART NO.	DESCRIPTION	REF. PART NO.	PART NO.	DESCRIPTION	REF. PART NO.	PART NO.	DESCRIPTION
	945117, 945118, 945120, 945125, 945138, 945141, 945144, 945147, 945152, 945157, 945164, 945174, 945183, 945194, 945195, 945220, 945222, 945223, 945266, 945275, 945325, 945350, 945358; also used on Model 81900				<b>296284</b> Housing – Blower (For Rewind Starter) Used on type No. 945067.	<b>336</b>	<b>292149</b>	Cable – Ignition Used on engines before Serial No. 6212310.
	Series type Nos. 0140, 945562, 945566, 945568, 945577, 945582, 945606, 945607, 945636, 945637, 945642, 945651, 945674, 945695, 945742, 945744, 945745, 945754, 945769, 945771, 945786, 945803, 945807.			<b>296301</b> Housing – Blower (For Rewind Starter) Used on type Nos. 945525, 945526.				Cables used on and after this Serial Number are integral with the ignition coil.
	<b>295038</b> Housing – Blower (For Rewind Starter) Used on Model 80900			<b>296325</b> Housing – Blower (For Wind-up Starter) Used on Model 80906, 80996, 81906, 81996 Series.	<b>337</b>	<b>29693</b>	Plug – Spark (with gasket)	<b>Note:</b> <b>293918</b> Plug – Spark Used on Model 80900
	Series type Nos. 0160, 0166, 0168, 0224, 0258, 945075, 945095, 945113, 945301, 945305; also used on Model 81900			<b>296424</b> Housing – Blower (For Rewind Starter) Used on type Nos. 945615, 945616.				Series type Nos. 0191, 0209, 945290, 945309.
	Series type Nos. 0136, 0138, 945783, 945798, 945804, 945822.			<b>Note:</b> Starter housing and parts for these type Nos. are supplied by the equipment manufacturer.				<b>298323</b> Plug – Spark Used on Model 80900
	<b>295816</b> Housing – Blower (For Rewind Starter) Used on Model 80900			<b>296894</b> Housing – Blower (For Rewind Starter) Used on Model 80900				Series type Nos. 0168, 945305.
	Series type Nos. 0133, 0138, 0155, 0156, 0172, 0205, 0220, 0223, 0227, 0232, 0252, 0256, 945129, 945159, 945160, 945184, 945189, 945197, 945215, 945218, 945227, 945233, 945235, 945273, 945284, 945285, 945296, 945307, 945315, 945339, 945341, 945348, 945351, 945360; also used on Model 81900			Series type Nos. 0149, 0151, 0173, 0244, 0253, 0254, 0259, 945202, 945207, 945252, 945257, 945280, 945300, 945321, 945323, 945324, 945328, 945356; also used on Model 81900	<b>338</b>	<b>29806</b>	Gasket – Spark Plug	Series type No. 0184.
	Series type Nos. 945553, 945556, 945557, 945580, 945625, 945630, 945644, 945709, 945710, 945748, 945778, 945787, 945788, 945789, 945815.			Nos. 0139, 945696, 945781.	<b>340</b>	<b>26018</b>	Spring – Breaker Arm	
	<b>296127</b> Housing – Blower (For Rewind Starter) Used on type No. 945654.	<b>305</b>	<b>93158</b>	Screw – Blower Housing Mounting Sem	<b>341</b>	<b>93381</b>	Screw – Contact Finger Post Mounting Sem	
		<b>306</b>	<b>220478</b>	Shield – Cylinder	<b>342</b>	<b>65704</b>	Plunger – Breaker Point	
		<b>307</b>	<b>93042</b>	Screw – Cylinder Shield Mounting Sem	<b>344</b>	<b>93042</b>	Screw – Condenser Clamp Mounting Sem	
		<b>308</b>	<b>220581</b>	Cover – Cylinder Head	<b>345</b>	<b>220366</b>	Cover – Breaker Point and Condenser	
		<b>325</b>	<b>293959</b>	Starter Pulley with Screen	<b>346</b>	<b>93014</b>	Screw – Dust Cover Mounting Sem	
		<b>330</b>	<b>29878</b>	Rope – Starter	<b>347</b>	<b>220884</b>	Switch – Stop	
		<b>331</b>	<b>62577</b>	Washer – Flywheel	<b>Note:</b>	<b>293739</b>	Switch – Stop Used on Model 80900	
		<b>332</b>	<b>91708</b>	Nut – Flywheel			Series type No. 0184.	
		<b>333</b>	<b>291617</b>	Armature – Magneto (Used before Serial No. 6212310)	<b>348</b>	<b>296110</b>	Plate Assembly – Stop Switch Insulator	
		<b>333A</b>	<b>298502</b>	Armature – Magneto (Used on and after Serial No. 6212310)	<b>356</b>	<b>296185</b>	Wire – Ground	
		<b>334</b>	<b>93381</b>	Screw – Armature Mounting Sem	<b>358</b>	<b>297275</b>	Gasket Set	
		<b>335</b>	<b>93381</b>	Screw – Armature Mounting Sem	<b>363</b>	<b>19069</b>	Puller – Flywheel (Optional Accessory)	
					<b>372</b>	<b>220477</b>	Clamp – Condenser	
					<b>373</b>	<b>92987</b>	Nut – Condenser Terminal	
					<b>374</b>	<b>92813</b>	Washer – Lock – Shakeproof	
					<b>375</b>	<b>294628</b>	Breaker Points and Condenser Set	
					<b>Note:</b>	<b>299061</b>	Ignition Kit Includes:	
							<b>294628</b> Point Set	
							<b>65704</b> Plunger	
							<b>61760</b> Key – Flywheel	
					<b>376</b>	<b>93167</b>	Screw – Ground Wire	
					<b>377</b>	<b>93065</b>	Key – Woodruff No. 505	
					<b>392</b>	<b>260455</b>	Spring – Fuel Pump Diaphragm	

\* Included in Gasket Set – Part No. 297275.

**80900 to 80997**  
**81900 to 81997**

REF. NO.	PART NO.	DESCRIPTION	REF. NO.	PART NO.	DESCRIPTION	REF. NO.	PART NO.	DESCRIPTION
394	27910	Diaphragm	465	221226	Washer - Holder	542	91494	Screw - Speed Adjuster to Carburetor
432	221377	Cap - Spring	466	93272	Retainer - Holder		<b>Note:</b>	<b>92634</b> Screw - Sem
433	93265	Pin - Diaphragm Cover	467	211017	Control Knob			<b>260575</b> Spring
434	210959	Cover - Diaphragm	508	93294	Screw - Blower Housing			Used on <b>Model 81900</b>
435	93141	Screw - Diaphragm Cover	515	260537	Spring - Single Acting Ratchet Pawl			Series type Nos. 945527, 945528, 945712, 945713, 945714, 945715, 945716, 945717, 945718, 945719, 945738.
454	296178	Housing - Fuel Pipe Screen (For 3/16" O. D. Pipe)	516	260374	Spring - Connector			<b>91359</b> Screw - Machine, Fil. Hd. - 10-32 x 3/4"
	296191	Housing - Fuel Pipe Screen (For 1/8" O. D. Pipe)	534	93322	Screw - Air Cleaner			<b>26157</b> Spring
455	296455	Cup, Hub and Spring Assembly	535	27987	Element - Air Cleaner			<b>66432</b> Washer
	<b>Note:</b>	296327 Cup and Spring Assembly Used on earlier model engines.	536	296766	Cleaner Assembly - Air			Used on <b>Model 80900</b>
456	221222	Plate - Retainer	538	260560	Rod - Speed Control			Series type Nos. 0017, 0019, 0020, 0021, 0134, 0147, 0184, 0248, 0251, 0266, 945163, 945175, 945201, 945243, 945244, 945251, 945258, 945301, 945346, 945359; also used on <b>Model 81900</b> Series type Nos. 0145, 945811.
457	296264	Hub and Spring Assembly Used on earlier model engines.		<b>Note:</b>	260683 Rod - Speed Control (Square)	611	297219	Pipe - Fuel (Long) Plastic
458	298431	Handle Assembly - Cranking			260684 Link - Control Rod Used on <b>Model 80900</b> Series type Nos. 0017, 0019, 0020, 0021, 0134, 0147, 0184, 0248, 0251, 0266, 945163, 945175, 945201, 945243, 945244, 945251, 945258, 945301, 945346, 945359; also used on <b>Model 81900</b> Series type Nos. 0145, 945811.	612	296811	Pipe - Fuel (Short) Plastic
459	221332	Pawl - Ratchet (Single Acting)	539	221372	Clip - Speed Control Rod	634	270167	Washer - Throttle Shaft (Felt)
	<b>Note:</b>	221220 Pawl - Ratchet (Double Acting) Used on earlier model engines.	540	221380	Lever - Speed Adjuster	635	66538	Elbow - Spark Plug
460	93272	Retainer - Ratchet Pawl		<b>Note:</b>	220678 Lever - Speed Adjuster Used on type Nos. 945163, 945244.	662	221612	Bracket - Carburetor
461	93298	Screw - Handle Mounting	541	22398	Washer - Speed Adjuster Lever To Carburetor	663	93395	Screw - Bracket Mtg.
462	221237	Washer - Handle Mtg.				664	93415	Screw - Bracket Mtg.
463	296445	Holder Assembly - Flywheel				665	296768	Oil Minder
464	93291	Rivet - Holder Assy. Mounting				666	297073	Gauge - Fuel Level
						681	299060	Needle Valve Kit

\* Included in Gasket Set - Part No. 297275.