

62030 to 62033

Illustrated Parts List

Model Series

62030 to 62033

TYPE NUMBERS

0111
0130 through 0132
0148
0529, 0531, 0532
0601 and 0605
0626 through 0634
0641, 0642,
0650 through 0654
0663 and 0664

TO FIND

THE CORRECT NUMBER OF THE PART YOU NEED:

FOLLOW THE INSTRUCTIONS BELOW

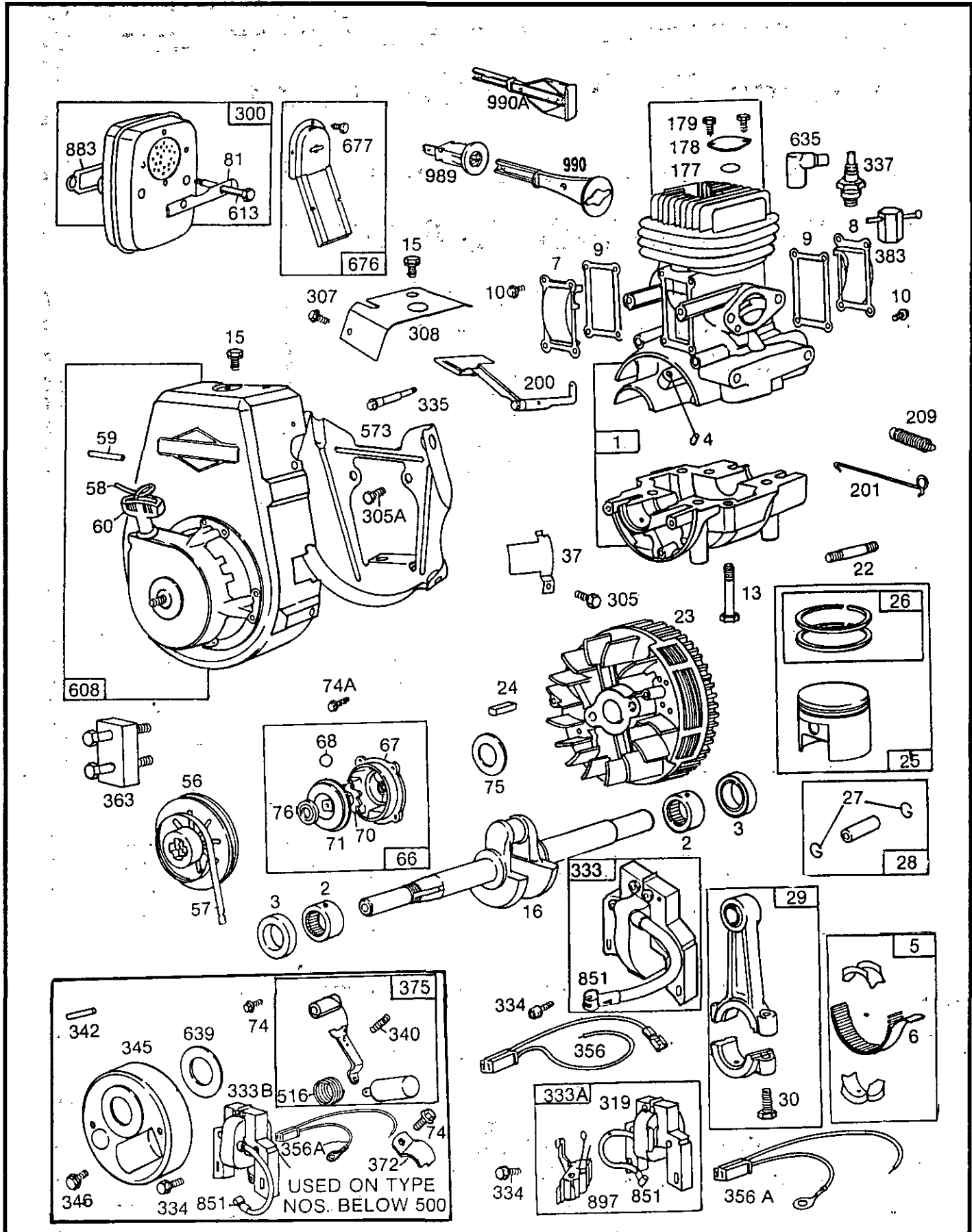
- A. Refer to Engine Model, Type and Code Number that is stamped on the blower housing of engine. Engine type numbers such as 012301 are listed herein only as 0123. The two digits (01 or 02, etc.) to the right of the space are not needed for parts identification. Then use the Illustrated Parts List covering the Model Series.
- B. Refer to Illustrated Parts section and compare the old part with illustration. The number on the illustration is the Reference Number. Assemblies include all parts shown in frames. All parts shown in assembly frames on which individual reference numbers are given can be purchased separately.
- C. After the Reference Number has been identified, refer to the Numerical Parts List, where Reference and Master Part Number are listed. **THE MASTER PART IS USED ON ALL TYPE NUMBERS EXCEPT THOSE TYPE NUMBERS UNDER "NOTE".**
- D. If a "Note" appears below the Master Part Number, this means that this part differs from the Master Part for certain types. If the Type number is listed under "Note", order the part referred to.
- E. If the Engine Type Number does not appear after any part number listed under "Note", use the Master Part Number.
- F. For Type Numbers higher than those covered by this book, please refer to the factory if you are unable to identify the part by comparison.

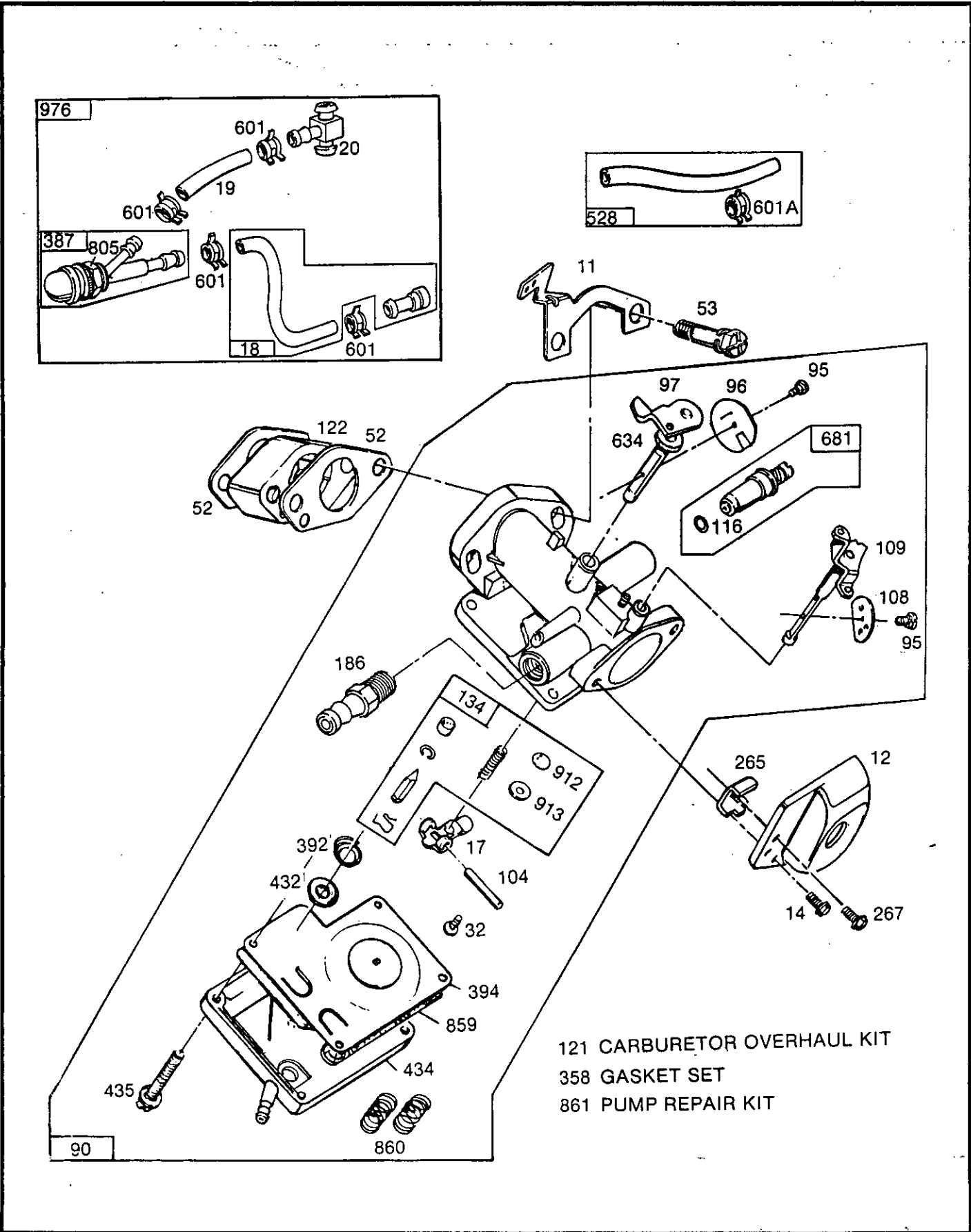
PRINTED IN U.S.A.

COPYRIGHT©



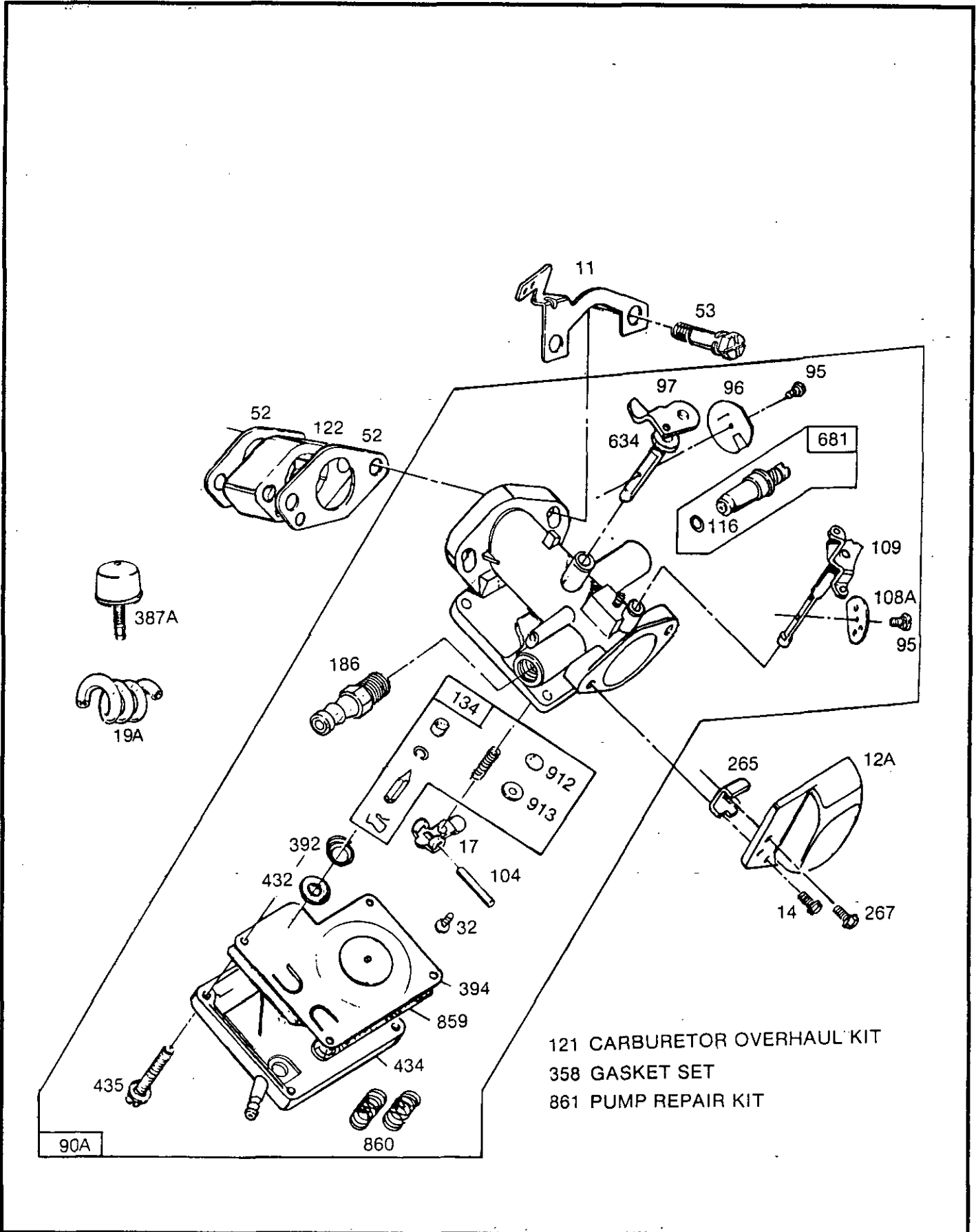
62030 to 62033

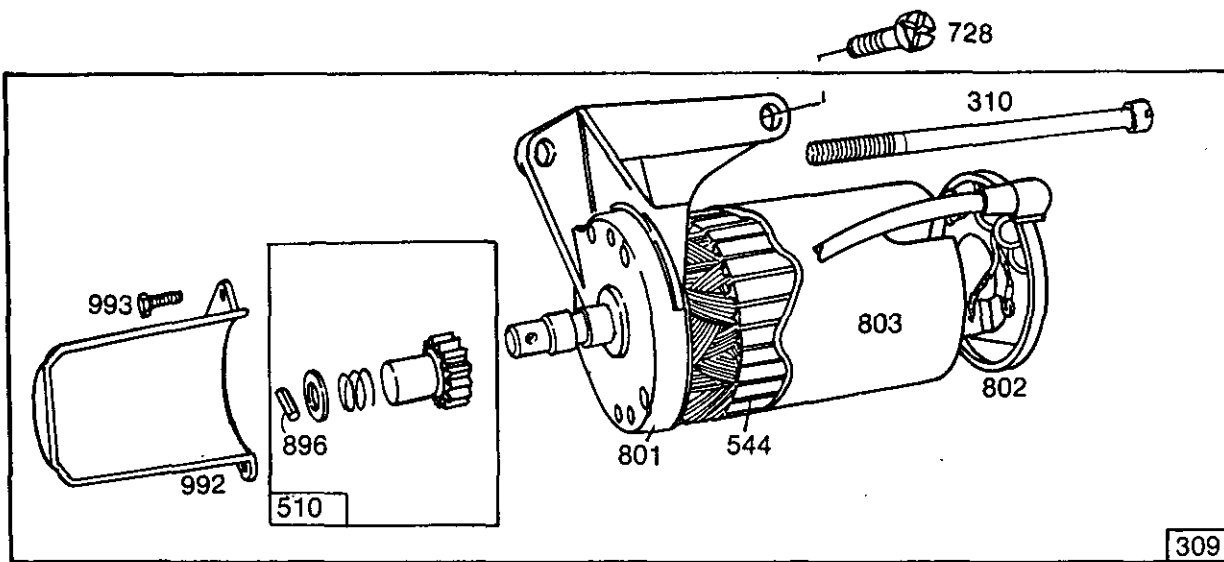




- 121 CARBURETOR OVERHAUL KIT
- 358 GASKET SET
- 861 PUMP REPAIR KIT

62030 to 62033



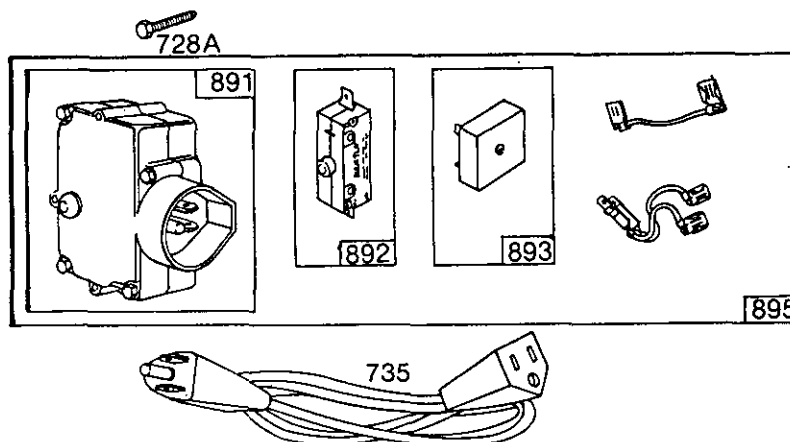


Subject	Ref. No. 309 and 895	Ref. No. 510	Ref. No. 801	Ref. No. 310	Ref. No. 803	Ref. No. 544	Ref. No. 802
Manufacturer	Motor and Drive Assembly	Drive Assembly	Drive End Cap Assembly	Thru Bolt Assembly	Housing Assembly	Armature Assembly	Comm. End Cap Assembly
Briggs & Stratton							
120 V	394156	394804	394386	395291	395267	395293	395290
*120 V	394994 (CSA)	395218†	394386	395291	395267	395535	395290
*120 V	396530	395218†	394386	395291	395267	395535	395290

†Includes 94032 Roll Pin Ref. 896.

*Illustrated above.

Subject	Ref. No. 891	Ref. No. 892	Ref. No. 893	Ref. No. 895	Ref. No. 896	Ref. No. 992	Ref. No. 993
Manufacturer	Housing Group	Switch Group	Rectifier Group	Control Group	Roll Pin	Starter Shroud	Shroud Mtg. Screw
Briggs & Stratton							
120 V	395219	395222	395221	395224	94023	280379	93490



62030 to 62033

REF. NO.	PART NO.	DESCRIPTION	REF. NO.	PART NO.	DESCRIPTION	REF. NO.	PART NO.	DESCRIPTION
1	394949	Cylinder Assembly Used on Type Nos. 0500 and up.	PISTON ASSEMBLY			121	396787	Carburetor Overhaul Kit Used after Code Date 83020713.
	Note:	394477 Cylinder Assy. Used on Type Nos. below 0500.	25	394478	Piston Assembly—Std.		Note:	394495 Carburetor Overhaul Kit Used before Code Date 83020813.
2	394155	Bearing—Main Needle (Cylinder)	26	394555	Ring Set—Standard Piston	122	280312	Carburetor Spacer
3	393926	Seal—Oil	27	26026	Lock—Piston Pin	134	†394476	Float Valve Assembly
4	271337	Wiper—Oil	28	394481	Pin Assembly—Piston— Standard	177	223148	Disc—Compression Release
5	394486	Crankpin Bearing and Conn. Rod Liner	29	394205	Rod Assy.—Connecting	178	395235	Cover—Compression Release
6	394154	Bearing—Crankpin (Needle)	30	93930	Screw—Connecting Rod	179	94017	Screw—Compression Release Cover
7	212438	Cover—Transfer Port (Mag. Side)	32	93958	Screw—Pan Head (Hinge)	186	230318	Connector—Fuel Pipe
8	212439	Cover—Transfer Port (P.T.O. Side)	37	223088	Guard—Flywheel	200	280284	Blade—Governor
9	*271281	Gasket Transfer Port	52	*†271282	Gasket—Carburetor Mounting	201	261550	Link—Governor
10	93938	Screw—Port Mounting	53	93968	Screw—Carb. Mtg.	209	261551	Spring—Governor
11	223061	Governor Tang	56	280323	Pulley—Rewind Starter	265	221370	Clamp—Cable
12	280603	Cover—Intake	57	294303	Spring—Rewind Starter	267	93945	Screw—Clamp Mtg.
12A	280310	Cover—Intake	58	66914	Rope—Starter— (55-5/8" long)	300	394291	Muffler—Exhaust
13	93642	Screw—Crankcase Cover	59	230228	Pin—Starter Grip	305	93950	Screw—Sem
14	93969	Screw—Carb. Cover	60	66728	Grip—Starter Rope	305A	93980	Screw—Sem
15	93949	Screw—Blower Hsg. Mtg.	66	394558	Clutch Assy.—Rewind Starter	307	93942	Screw—Hex Head
16	261588	Crankshaft Note: 262063 Crankshaft Used on Type Nos. 0529, 0626, 0627, 0629, 0663, 0664.	67	212483	Housing—Starter Clutch	308	223367	Cover—Cylinder Shield Motor—Starting (12 Volt) See Chart on Page 4 for Replacement Parts for Starting Motor.
17	223063	Hinge—Inlet Valve	68	63770	Ball—Clutch	309		Note: 394156 Motor— Starting Used on Type No. 0115.
18	399095	Hose—Injector (Includes Filter) (1/4" O.D.)	70	298436	Ratchet—Rewind Starter	319	395488	Armature Assy. (Less Trigger Coil)
19	280606	Tube—Primer (1/4" O.D.) Note: 280608 Tube—Primer Used on Type Nos. 0663, 0664.	71	221653	Washer—Clutch Retainer	333	398593	Armature Assembly
19A	280307	Tube—Primer	74	93042	Screw—Hex. Hd. Mounting Sem	333A	395489	Armature Group (MAGNETRON® Ignition)
20	280604	Connector—Primer Hose	74A	93490	Screw—Hex. Hd.	333B	394286	Armature—Magneto (For Points and Condenser)
22	93962	Stud—Engine Mounting	75	220865	Washer—Spring	334	93381	Screw—Armature Mounting Sem
23	398873	Flywheel—Magneto	76	68238	Washer—Ratchet Sealing	335	93435	Screw—Armature Mounting Sem
24	222698	Key—Flywheel (For MAGNETRON® Ignition) Note: 61760 Key—Flywheel (For Breaker Ignition System)	81	223034	Lock—Muffler Screw			
			90	399060	Carburetor Assembly (Used with Wet Bulb Primer—Ref. No. 387)			
			90A	396786	Carburetor Assembly			
			95	93499	Screw—Throttle Valve Mounting Sem			
			96	211203	Valve—Throttle			
			97	394343	Shaft and Lever— Throttle			
			104	†230896	Pin—Hinge			
			108	223591	Valve—Cover			
			108A	223066	Valve—Choke			
			109	394344	Shaft & Lever Assy.— Choke			
			116	280203	Seal—O-Ring			

*Included in Gasket Set—
Part No. 394493.

†Carburetor Overhaul Kit—
See Ref. 121.

‡Included in Carburetor Overhaul Kit—
See Ref. 121 and Pump Repair Kit
See Ref. 861.

62030 to 62033

REF. NO.	PART NO.	DESCRIPTION	REF. NO.	PART NO.	DESCRIPTION	REF. NO.	PART NO.	DESCRIPTION
337	298809	Plug-Spark (with Gasket) (1-1/2" high—37-42 MM) Note: 293918 Plug—Spark (1-1/2" high—37-42 MM) (Resistor Type) Spark Plugs Use Ignition Cable Terminal Ref. No. 851	375	294628	Breaker Points and Condenser Set (For Conversion to MAGNETRON® Ignition Order Part No. 394970)	635	66538	Elbow—Spark Plug
340	26018	Spring—Breaker Arm	383	89838	Wrench—Spark Plug	639	*271320	Gasket—Breaker Cover
342	231235	Plunger—Breaker Point	387	398908	Primer—Wet Bulb	676	394645	Muffler Deflector and Screw
345	223027	Cover—Breaker Point and Condenser	387A	394281	Primer Note: For Conversion to Wet Bulb Primer, Order Part No. 399328.	677	93705	Screw—Sem
346	93942	Screw—Dust Cover Mounting	392	‡261565	Spring—Fuel Pump Diaphragm	681	†395508	Needle Valve Kit
356	398904	Wire—Ground Used with Armature Ref. 333 Only. Note: 398903 Wire—Ground Used on Type Nos. 0634, 0650. 398905 Wire—Ground Used on Type Nos. 0532, 0632, 0652, 0653.	394	‡396789	Diaphragm Used after Code Date 83020713. Note: 394345 Diaphragm Used before Code Date 83020813.	728	93943	Screw—Sem
356A	394355	Wire—Ground Used with Armatures Refs. 333A and 333B Only. Note: 394357 Wire—Ground Used on Type Nos. 0132, 0632. 396925 Wire—Ground Used on Type No. 0634.	432	†223065	Cap—Spring	728A	93965	Screw—Control Box Mtg.
358	394493	Gasket Set	434	212727	Cover—Diaphragm Used after Code Date 83020713. Note: 212457 Cover—Diaphragm Used before Code Date 83020813.	735	390748	Cord—Starter
363	19069	Puller—Flywheel (Optional Accessory)	435	93955	Screw—Diaphragm Cover	805	94189	Nut—Primer Retaining
372	220477	Clamp—Condenser	516	260374	Spring—Connector	851	221798	Terminal—Ignition Cable
			528	393815	Hose—Fuel (1/2" O.D.)	859	‡271611	Gasket—Pump Cover Used after Code Date 8302071. Note: 271330 Gasket—Pump Cover Used before Code Date 83020813.
			573	223025	Backplate	860	‡261358	Spring—Diaphragm
			601	94171	Clamp—Hose (For 1/4" O.D. Hose)	861	396788	Pump Repair Kit Used after Code Date 83020713. Note: 394496 Pump Repair Kit Used before Code Date 83020813.
			601A	93053	Clamp—Hose (For 1/2" O.D. Hose)	883	*271283	Gasket—Muffler
			608	394203	Starter Assy.—Rewind	897	394970	Trigger Coil Assembly MAGNETRON® Ignition Valve—Disc (Sold in Kit Form Only)
			613	93946	Screw—Shoulder	912	†	Seat—Check Valve (Sold in Kit Form Only)
			634	†270167	Washer—Throttle Shaft (Felt)	913	†	Primer Kit—Wet Bulb
						976	399328	Switch Assembly
						989	397698	Key
						990	490023	Key
						990A	280596	Key

*Included in Gasket Set—Part No. 394493.

†Carburetor Overhaul Kit—See Ref. 121.

‡Included in Carburetor Overhaul Kit—See Ref. 121 and Pump Repair Kit See Ref. 861.