

# **Electric Pressure Washer**

## **S2000**

### **039-8560-8**

#### **OWNER'S MANUAL**

If you have any questions or comments, visit our website at [www.simoniz.ca](http://www.simoniz.ca) or call our toll free hotline 1-866-4SIMONIZ (1-866-474-6664).

PLEASE KEEP THE ORIGINAL BOX, PACKAGING AND RECEIPT. BEFORE OPERATING THIS UNIT, PLEASE READ THIS MANUAL THOROUGHLY AND RETAIN IT FOR FUTURE REFERENCE. IF YOU MUST STORE YOUR PRESSURE WASHER IN A PLACE WHERE THE TEMPERATURE IS BELOW 5°C, YOU MUST APPLY WINTERIZING PROCEDURE TO PROTECT IT. FAILURE TO WINTERIZE THE UNIT MAY PERMANENTLY DAMAGE PUMP AND VOID THE WARRANTY.

## TABLE OF CONTENTS

Technical specifications .....	1
Warranty .....	2
Important precautions – Read first! .....	3
Safety features and electrical power information .....	5
Parts and diagram list .....	6
Assembly and operating instructions.....	7
Working with detergents .....	11
Shutting down and cleaning up.....	12
Taking a break .....	12
Winterizing and long-term storage .....	14
Cleaning and maintenance .....	15
Troubleshooting .....	16

## TECHNICAL SPECIFICATIONS

### Pressure Washer Specifications

Peak pressure: 2000 PSI  
Power Source Requirement: 120 V / 60 Hz  
Electrical cord: 23' (7 m) 16 AWG  
High-pressure hose: 23' (7 m)  
Water Flow Rate (at 100 PSI): 1.5 GPM  
Current Drawn: 13 A  
Detergent Injection Rate (adjustable): 3~12%  
Inlet water: Cold tap water  
Nozzle spray angle (high pressure): 0°, 15°, 40°

## WARRANTY

### Product Warranty

Always keep your receipt as proof of purchase.

We're here to help! If you have any questions or comments, call our toll-free hotline 1-866-4SIMONIZ (1-866-474-6664). Have your serial number ready. The serial number can be found on the back plate, located on the rear of the unit.

This product has a Parts Replacement, Product Exchange and/or Repair Warranty only. NO REFUNDS will be provided. Please see stores for Product Exchange details.

### Two-(2) year Warranty - Motor

This product is warranted to be free from defects in material and workmanship for two years from the date of its original purchase. If such a defect appears during the warranty period, upon presentation of proof of purchase, Trileaf Distribution will repair or replace the product (at its option). Shipping charges may apply.

### Ninety-(90) day Warranty - Accessories

Trigger gun, hose, spray wands and other accessories are warranted for ninety (90) days from the date of purchase. You may purchase accessories directly through place of purchase, or by calling our toll-free hotline 1-866-4SIMONIZ (1-866-474-6664).

This warranty does not cover accidental damage, unreasonable use, normal wear and tear, use of improper detergents, freezing, neglect, or non-compliance with Operating Instructions. Warranty does not cover loss of use, or other consequential damages arising from any of the above, nor does it cover repairs made or attempted by unauthorized persons.

Warranty is void if the equipment is used for commercial, rental or industrial purposes.

If you have more questions, visit our website ([www.simoniz.ca](http://www.simoniz.ca)), or call 1-866-4SIMONIZ (1-866-474-6664).

## IMPORTANT PRECAUTIONS – READ FIRST

### ⚠ Warnings ⚠

When using this product, basic precautions should always be followed:

- Read all the instructions before using the product.
- Water spray must never be directed toward any electric wiring, devices or directly toward the pressure washer machine itself, or fatal electric shock may occur.
- To reduce the risk of injury, do not operate the machine near children.
- Learn how to stop the machine and release pressure quickly. Be thoroughly familiar with the controls.
- Stay alert—watch what you are doing.
- For use with cold water supply only. Do not draw other liquids.
- The pressure washer should not be used in areas where gas vapours may be present. An electric spark could cause an explosion or fire.
- To minimize the amount of water getting into the pressure washer, the unit should be placed as far as possible from the cleaning site during operation.
- Avoid accidental starts. Shut power “OFF” before connecting or disconnecting cord to electrical outlets.
- Do not operate the product when fatigued or under the influence of alcohol or drugs.
- Do not stand on unstable surfaces. Stand with both feet balanced at all times.
- Prior to starting the pressure washer in cold weather, be sure ice has not formed on any part of the equipment.
- Never carry your pressure washer by the cord.
- Do not pull on the cord to disconnect from the outlet.
- To allow free air circulation, the pressure washer should not be covered during operation.
- Keep operating area clear of people and pets.
- Follow the maintenance instructions specified in the manual.

If replacement of the plug or cord is needed, use only identical replacement parts.

- This product or its power cord contains lead, a chemical known to cause cancer, birth defects or other reproductive harm. Wash hands after use.

### ⚠ Warnings ⚠

- **Do not use with flammable liquids and toxic chemicals.**
- **Injection Hazard: Equipment can cause serious injury if the spray penetrates the skin.**
- **Do not point the gun at anyone or any part of the body. In case of penetration, seek medical aid immediately.**
- **This system is capable of producing high pressure as rated in the Technical Specifications. To avoid rupture and injury, do not operate this machine with components rated less than the unit itself (including but not limited to spray guns, hose and hose connections).**
- **Before servicing, cleaning or removal of any parts, shut “OFF” power and relieve pressure.**
- **Do not spray electrical apparatus and wiring.**
- **If connection is made to a portable water system, the system must be protected against backflow.**

## IMPORTANT PRECAUTIONS – READ FIRST

### ⚠ WARNING - Risk of Injury ⚠

**Do Not Direct Discharge Stream at Persons.**

- **High-pressure jet can be dangerous if misused.**
- **The jet must not be directed at persons, animals, electrical devices, or the unit itself.**

### ⚠ WARNING - Risk of Explosion ⚠

- **Do not spray flammable liquids.**
- **Do not use acids and solvents in this product.**
- **These products can cause physical injuries to the operator and irreversible damage to the machine.**

### ⚠ CAUTION - Gun Kicks Back ⚠

- **Hold with both hands.**
- **The trigger gun safety lock prevents the trigger from being engaged accidentally.**
- **The safety feature DOES NOT lock trigger in the ON position.**

### ⚠ WARNING - Risk of Electric Shock ⚠

- **Inspect cord before using - do not use if cord is damaged.**
- **Keep all connections dry and off the ground.**
- **Do not touch plug with wet hands.**
- **Do not use extension cords longer than 50' (15.2 m). Only use 12 or 14 AWG rated extension cords.**

#### Save These Instructions

In a double-insulation product, two systems of insulation are provided instead of grounding. No grounding is provided on a double-insulated product, nor should a means for grounding be added to the product. Servicing a double-insulated product requires extreme care and knowledge of the system, and should be done only by qualified service personnel.

Replacement parts of a double-insulated product must be identical to the parts they replace. A double-insulated product is marked with the words “DOUBLE INSULATION” or “DOUBLE INSULATED”. The symbol “□” may also be marked on the product.

## SAFETY FEATURES & ELECTRICAL POWER INFORMATION

The pressure washer is equipped with a stop device that will sense when the trigger on the gun is released. It will open the power circuit to the motor, and cause the pressure washer motor to stop. The motor will start again when the trigger is pulled.

### ⚠ WARNING ⚠

The pressure washer is also equipped with a main power “ON/OFF” switch located on the unit. It should always be moved to the “OFF” position when the pressure washer is not being used to prevent possible injury or damage.

### ⚠ DANGER ⚠

Improper connection of the equipment-grounding conductor from the outlet can result in a risk of electric shock. Check with a qualified electrician or service personnel if you are in doubt as to whether the outlet is properly grounded. Do not modify the plug provided with the product—If it will not fit the outlet, have a proper outlet installed by a qualified electrician. Do not use any type of adaptor with this product.

#### Extension Cords

If possible, do not use extension cords with this product. However, if you must use one, observe all of the warnings and instructions listed below:

### ⚠ WARNING ⚠

Extension cords are not recommended unless they are plugged into a ground fault circuit-interrupter (GFCI) found in circuit boxes or protected receptacles.

#### Use a sufficient gauge:

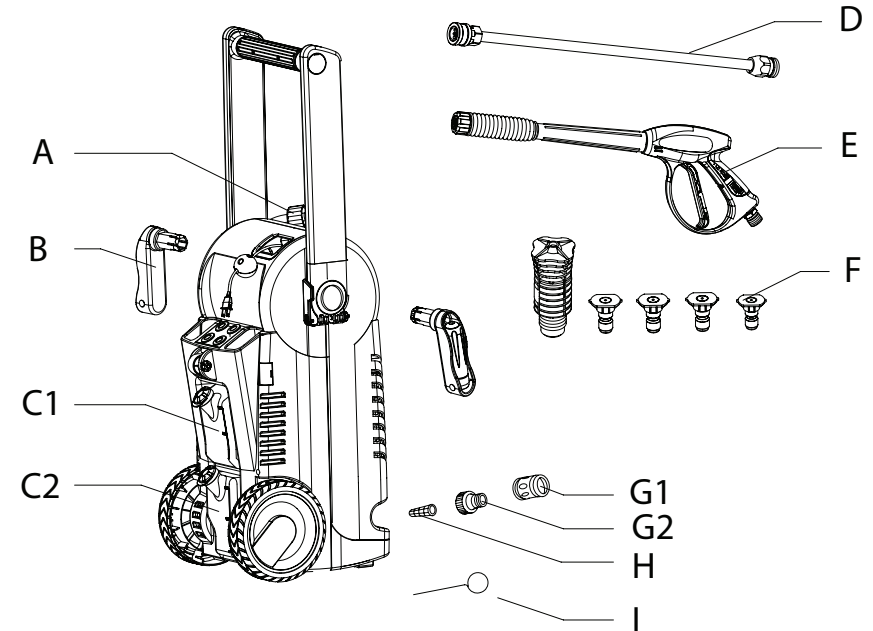
Maximum cable length: 50' (15.2 m). Only use 12 or 14 AWG rated extension cords.

- Use only extension cords that are intended for outdoor use. These extension cords are identified by a marking that reads “Acceptable for use with outdoor appliances; store indoors while not in use.”
- Use only extension cords having an electrical rating not less than the rating of the product.
- Do not use damaged extension cords. Examine extension cord before using and replace if damaged. Do not abuse extension cord and do not yank on any cord to disconnect.
- Keep cord away from heat and sharp edges.
- Always disconnect the extension cord from the receptacle before disconnecting the product from the extension cord.
- To reduce the risk of electric shock, keep all connections dry and off the ground. Do not touch plug with wet hands.

### ⚠ CAUTION ⚠

This machine has been designed for use with detergents that are specifically approved for pressure washer use. The use of other cleaning detergents may affect the operation of the machine and void the warranty.

## PARTS AND DIAGRAM LIST



Item No.	Quantity	Part Name	Parts Number
A	1	High-pressure hose	XE01-020-0004
B	2	Hand crank	XE01-020-0007
C1	1	Detergent bottle I	XE01-020-0005
C2	1	Detergent bottle II	XE01-020-0006
D	1	Quick-connect wand	XE01-020-0002
E	1	Spray gun	XE01-020-0003
F	5	Spray tips	XE02-020-0001
G1	1	Quick-connect coupling	XE01-030-0003
*G2	1	Inlet adaptor	XE01-030-0002
*H	1	Water filter	XE01-030-0001
I	1	Needle (for nozzle cleaning)	XE01-062-0002

\* Inlet adaptor and Water filter come pre-attached on the water inlet, located on the front of the pressure washer.

## ASSEMBLY AND OPERATING INSTRUCTIONS

### Surface Preparation

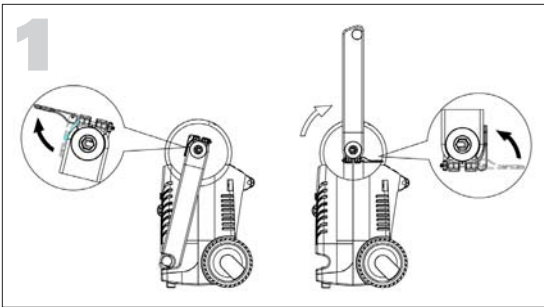
Before starting any cleaning task, it is important to inspect the area for objects that could create a hazard. Remove any objects from the work area that could be tripped over, such as toys or outdoor furniture. Ensure that all doors and windows are closed tightly.

### Water Supply (Cold Water Only)

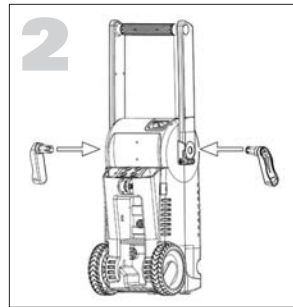
Only draw water through the unit. For use with cold water supply only. Water hose must be at least a 1/2" (13 mm) in diameter. Flow rate of water supply must not fall below 2 GPM (gallons per minute) [9.1 LPM (litres per minute)]. Flow rate can be determined by running the water for one minute into an empty 5-gallon (19 L) container. The water supply temperature must not exceed 104°F (40°C).

### ⚠ CAUTION ⚠

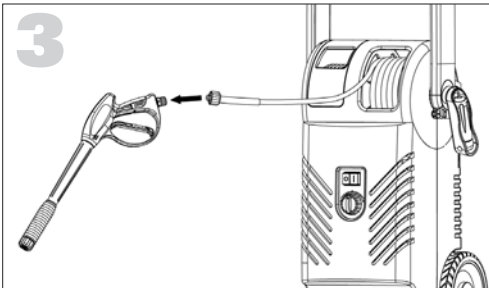
- Never use the pressure washer to draw in water contaminated with solvents (e.g. paint thinners, gasoline, oil, etc.).
- Dirt in the water inlet will damage the unit. To avoid this risk, we recommend checking the water filter (located inside the water inlet. To clean it out, see Maintenance section).
- Always prevent debris from being drawn into the unit by using a clean water source and an additional accessory water filter if required.
- To prolong the life of the unit, rest the unit for 5 minutes after every 30 minutes of use.



1 Raise handle to upright position and lock into position.



2 Attach hand cranks onto the hose/cord reel.



3 Attach high pressure hose from hose reel to the gun (hand tighten only).

## ASSEMBLY AND OPERATING INSTRUCTIONS

# 4

Recommendation for spray tip usage:

**Red**  
**0°**  
For tough spots & grimes (e.g. concrete surface)



**Yellow**  
**15°**  
To clean larger areas (e.g. drive way)



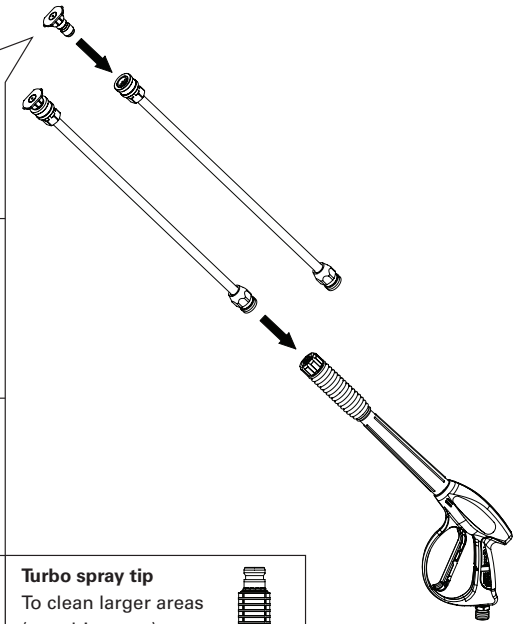
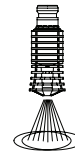
**White**  
**40°**  
For delicate cleaning and detailing (e.g. vehicles)



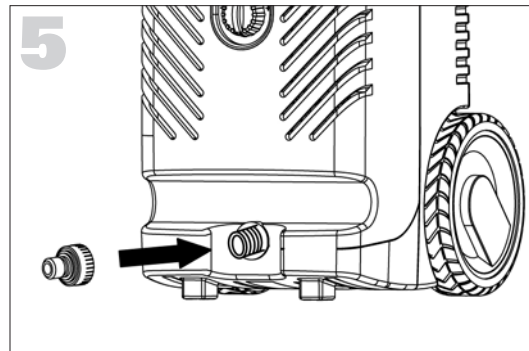
**Black**  
**Low pressure**  
To apply detergent



**Turbo spray tip**  
To clean larger areas (e.g. drive way)

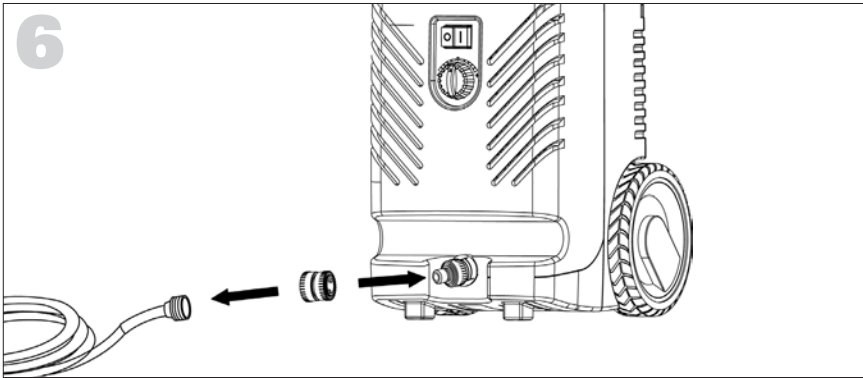


Attach desired colour coded spray tip to wand. Ensure it is clicked in securely. Insert wand into the gun. Hand tighten only.

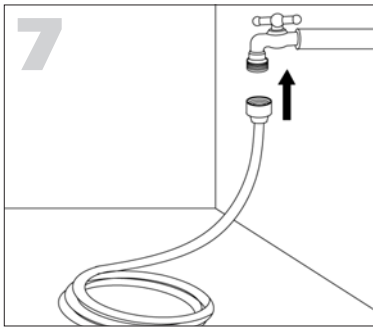


5 Attach the inlet adapter to the machine's water inlet  
Hand tighten only.

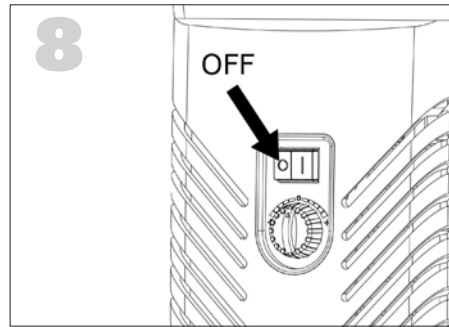
## ASSEMBLY AND OPERATING INSTRUCTIONS



Attach quick-connect coupling to garden hose (hand tighten only) and connect to inlet adapter.

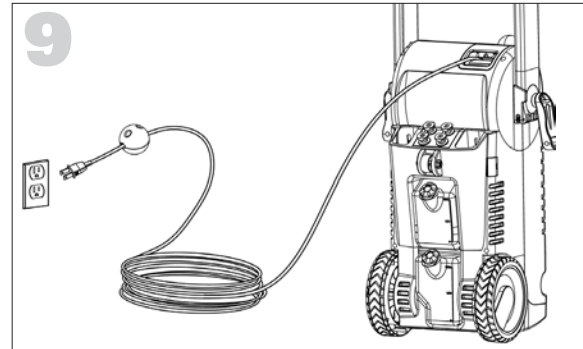


Attach garden hose to water supply and turn water on.

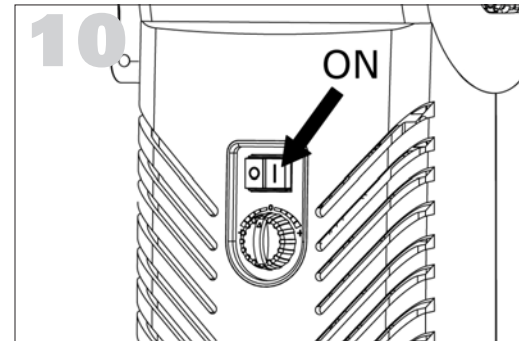


Make sure the ON/OFF switch is on the OFF position.

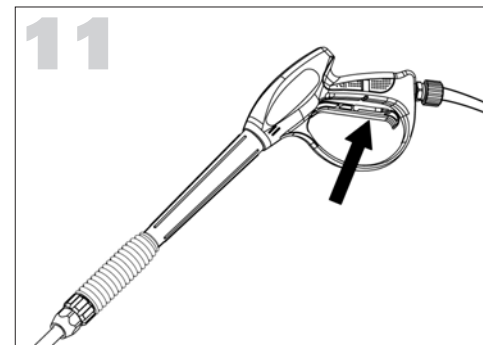
## ASSEMBLY AND OPERATING INSTRUCTIONS



Completely unwind power cord and plug the unit into an outlet.



Press the ON Button.



Depress trigger until there is a steady stream of water.

### ⚠ CAUTION ⚠

Drain unit after each use (for storage): remove water connection, turn ON the machine for a few seconds and press gun trigger to bleed remaining water in the pump. Turn OFF immediately.

## ASSEMBLY AND OPERATING INSTRUCTIONS

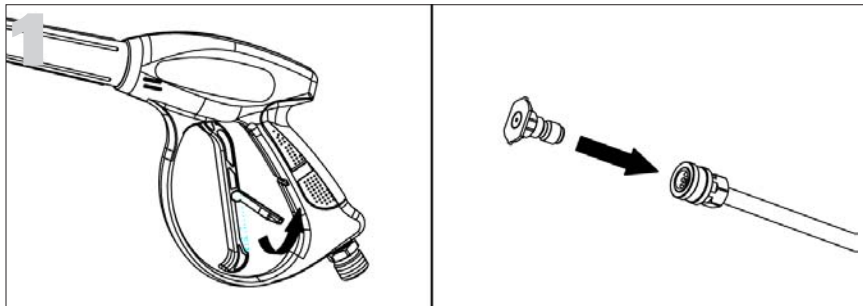
### WORKING WITH DETERGENTS

Working with detergent ensures a quick soaking of the dirt, and allows the high-pressure water to penetrate and remove the dirt more effectively. Always spray detergent on a dry surface, do not pre-soak area. Wetting the surface first dilutes the detergent and reduces its cleaning ability.

To apply detergents you must be operating at low pressure. This provides a gentle application of detergent, with the pressure equivalent to the lowest garden hose. The high-pressure setting is used for cleaning; you cannot apply detergents when working at high pressure. Always test detergent in an inconspicuous area before use.

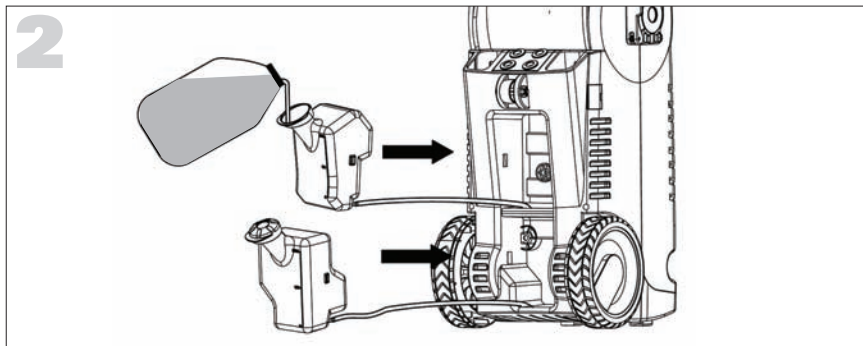
#### ⚠ CAUTION ⚠

Only use cleaning detergents recommended for pressure washers.



Engage gun safety lock.

Attach the low-pressure spray tip (black) for soap application.



Gently pull detergent containers out of storage position, and fill with detergent. Push containers back into storage position.

**3** Turn on the pressure washer. Pull trigger to operate unit. The liquid detergent will automatically mix with water, and be discharged through the nozzle. Apply detergent to a DRY work surface, from bottom to top.

## ASSEMBLY AND OPERATING INSTRUCTIONS

- 4** Allow detergent to remain on the surface for a short time before rinsing. Do not allow detergent to dry on surface.
- 5** Rinse with clean water under high pressure. On a vertical surface, rinse from the bottom up, then rinse from the top down to avoid streaking. Hold nozzle 6-8" (15-20 cm) from the work surface, at a 45° angle.
- 6** When you have finished using the detergent injection system, fill detergent bottle with clean water. Siphon water at low pressure for one minute, so that all detergent is flushed through system. Remove detergent bottle, and rinse it until it is thoroughly cleaned.

#### ⚠ CAUTION ⚠

Damage may occur to painted surface if chemical is allowed to dry on surface. Wash and rinse a small section at a time. Avoid working on hot surfaces or in direct sunlight.

### SHUTTING DOWN AND CLEANING UP

- 1** (If you are not using detergent, go directly to Step 2.) When you have finished using the detergent injection system, fill detergent bottle with clean water. Siphon water at low pressure for one minute so that all detergent is flushed through system. Remove detergent bottle and rinse it until it is thoroughly cleaned.
- 2** Disconnect the garden hose from the water inlet on the unit.
- 3** Press trigger to release any remaining water pressure.
- 4** Turn the switch to "OFF" (O) position.
- 5** Unplug the power cord from the outlet.
- 6** Engage gun safety lock.

#### ⚠ WARNING ⚠

Turn off water supply and squeeze trigger to depressurize the unit. Failure to do so could result in personal injury due to discharge of high-pressure water.

### TAKING A BREAK

If taking a break of five minutes or more:

- 1** Engage gun safety lock.
- 2** Turn unit to "OFF" (O) position.
- 3** Unplug the power cord from the outlet.

## OPERATING INSTRUCTIONS

### ⚠ CAUTION ⚠

Failure to clean properly will cause the detergent injection system to become clogged and inoperable.

### ⚠ CAUTION ⚠

Never use:

- Bleach, chlorine products and other corrosive chemicals
- Liquids containing solvents (i.e., paint thinners, gasoline, oils)
- Tri-sodium phosphate products
- Ammonia products
- Acid-based products

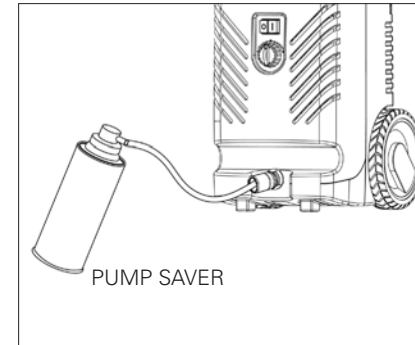
These chemicals will harm the unit and will damage the surface being cleaned.

## WINTERIZING AND LONG-TERM STORAGE

### Optimum Winterizing Procedure

Winterizing your pressure washer will help protect and prolong its life. We strongly recommend you follow the below steps using Pressure Washer Antifreeze (039-8602-0). This will keep the internal parts lubricated, protected from rust, and prevents the pump from freezing.

1. Connect the pump saver hose onto the adaptor and quick-connect coupling.
2. Depress button on top of pump saver container.
3. Continue until fluid exits the pressure hose.
4. Remove the hose from pump inlet.



Recommended: Pressure Washer Antifreeze (039-8602-0)

### Quick Winterizing Procedure

If you cannot do the Optimum Winterizing procedure, you can still protect your pressure washer from winter damage by doing the below:

1. Disconnect all water connections.
2. Turn on the machine for a few seconds, until the remaining water in the pump exits. Turn off immediately.
3. Do not allow high-pressure hose to become kinked.
4. Store the machine and accessories in a room that does not reach freezing temperatures. Do not store near furnace or other sources of heat as it may dry out the pump seals.

### ⚠ CAUTION ⚠

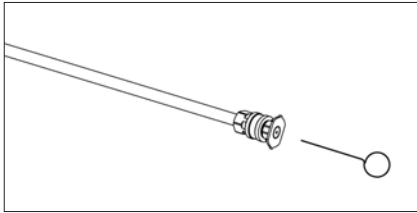
Drain gun assembly of any remaining water. Aim gun downwards and squeeze trigger.



## CLEANING AND MAINTENANCE

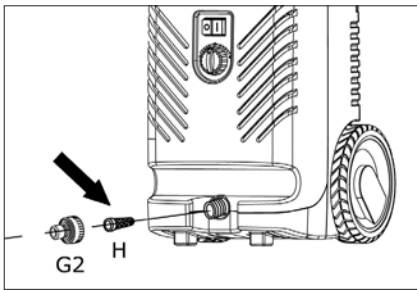
### Connections

Connections on pressure washer hoses, gun and spray wand should be cleaned regularly and lubricated with non-water soluble grease.



### Spray Tips Only

Clogging of the spray tips causes the pump pressure to be too high and cleaning is immediately required. You can clean the spray tips by carefully inserting a needle, or a thin, sharp instrument (i.e. paperclip) into the tip to rid it of deposits.



### Water Filter Screen

The pressure washer is equipped with a water inlet screen to protect the pump. If the screen is not kept clean, the flow of water to the pressure washer will be restricted and the pump may be damaged.

1. To clean inner water screen, remove quick-connector and remove the filter screen from the pump inlet.
2. Rinse screen until it is free of debris and blockage.
3. Replace screen and quick-connector immediately to prevent any foreign matter from entering the pump.

## TROUBLESHOOTING

Disconnect the machine from the power source before making any repairs.

Symptom	Cause	Solution
Motor will not start.	On/Off switch is in the "OFF" (O) position.	Turn switch to the "ON" (I) position.
	Power cord is not plugged in.	Plug in power cord.
	Extension cord is too long. Extension cord is not proper gauge. Extension cord is damaged.	Replace extension cord with either a 25' (7.6 m) 14/3 gauge cord or a 50' (15 m) 14/3 gauge cord.
	Electrical outlet does not supply adequate power.	Try a different outlet.
	Tripped pressure washer circuit breaker.	Allow to cool, and restart unit.
Unit does not reach high pressure.	Diameter of garden hose is too small.	Replace with a 1" (25 mm) or 5/8" (16 mm) garden hose.
	Water supply is restricted.	Check garden hose for kinks, leaks and blockage.
	Not enough water supply.	Open water source fully.
	Water inlet filter is clogged.	Remove filter and rinse in warm water.
	Power nozzle is in low-pressure position.	Replace with desired high-pressure tip.
	Pump is sucking air.	Check that hoses and fittings are airtight. Turn "OFF" machine, and purge pump by squeezing trigger gun until a steady flow of water emerges through the nozzle.
Output pressure varies high and low.	Not enough inlet water supply.	Turn water on fully. Check garden hose for kinks, leaks or blockage.
	Pump is sucking air.	Check that hoses and fittings are airtight. Turn "OFF" machine, and purge pump by squeezing trigger gun until a steady flow of water emerges through the nozzle.
	Water inlet filter is clogged.	Remove filter and rinse with warm water.

## TROUBLESHOOTING

Symptom	Cause	Solution
Output pressure varies high and low. (continued)	Discharge nozzle is obstructed.	Blow out or remove debris with a fine needle.
	Calcified gun, hose or power nozzle.	Run distilled vinegar through detergent tank.
Detergent is not working.	Detergent container is empty.	Add more detergent.
	Detergent bottle or suction tube not properly connected.	Check connections.
	Detergent is too thick.	Dilute detergent.
	Filter on detergent suction tube is clogged.	Run warm water through filter to remove build-up.
	Damaged or clogged detergent suction tube.	Remove obstruction or replace detergent suction tube.
	Nozzle is in high-pressure position.	Use low pressure (black) tip.
	Discharge nozzle is obstructed.	Blow out or remove debris with a fine needle.
Garden hose connection leaks.	Loose fittings.	Tighten fittings.
	Missing/worn rubber washer.	Insert new washer.
Spray wand, extension, or nozzle leaks.	Spray nozzle not properly attached.	Ensure quick-connect wand is attached securely. Ensure spray tip is clicked in securely.
	Broken o-ring or plastic insert.	Call the Toll-Free Hotline.
Pump is noisy.	Pump is sucking air.	Check that hoses and fittings are airtight. Turn off machine and purge pump by squeezing trigger gun until a steady flow of water emerges through the nozzle.
	Water filter is clogged.	Remove water filter and rinse in warm water.
Water leaks from pump (up to 10 drops per minute is permissible).	Loose fittings.	Check that all fittings are tight.
	Water seals are damaged or worn.	Call the Toll-Free Hotline.

## TROUBLESHOOTING

Symptom	Cause	Solution
Oil is dripping.	Oil seals are damaged or worn.	Call the Toll-Free Hotline.
Motor buzzes but fails to run.	Supply voltage below minimum.	Verify that only the pressure washer is running on this circuit.
	System has residual pressure.	Turn unit "OFF"; squeeze trigger on spray wand to release pressure, then turn unit "ON".
	Voltage loss due to extension cord.	Unplug any extension cords attached and plug the unit directly into the outlet.
	Pressure washer not used for long periods.	Call the Toll-Free Hotline.
	Residual friction among components. Unit might hum.	Disconnect water supply and power ON for 2 to 3 seconds, repeat couple times or until the motor starts.
	No water.	Quick-connect assembly is attached in reverse.
Water supply is OFF.		Turn ON water supply.
Kink in the garden hose.		Remove kink in garden hose.

IF YOU ENCOUNTER ANY ADDITIONAL DIFFICULTIES NOT LISTED, VISIT OUR WEBSITE AT [WWW.SIMONIZ.CA](http://WWW.SIMONIZ.CA) OR CALL CUSTOMER SERVICE AT 1-866-4SIMONIZ (1-866-474-6664) FOR HELP.

Imported by Trileaf Distribution Trifeuil Toronto, Canada M4S 2B8