



## *Illustrated Parts List*

Pressure Washer / Lavadora de Presión

Model / Modelo 020413-0



This pressure washer is rated in accordance to the Pressure Washer Manufacture Association (PWMA) standard PW101 (Testing and Rating Performance of Pressure Washers).

Questions? Preguntas?

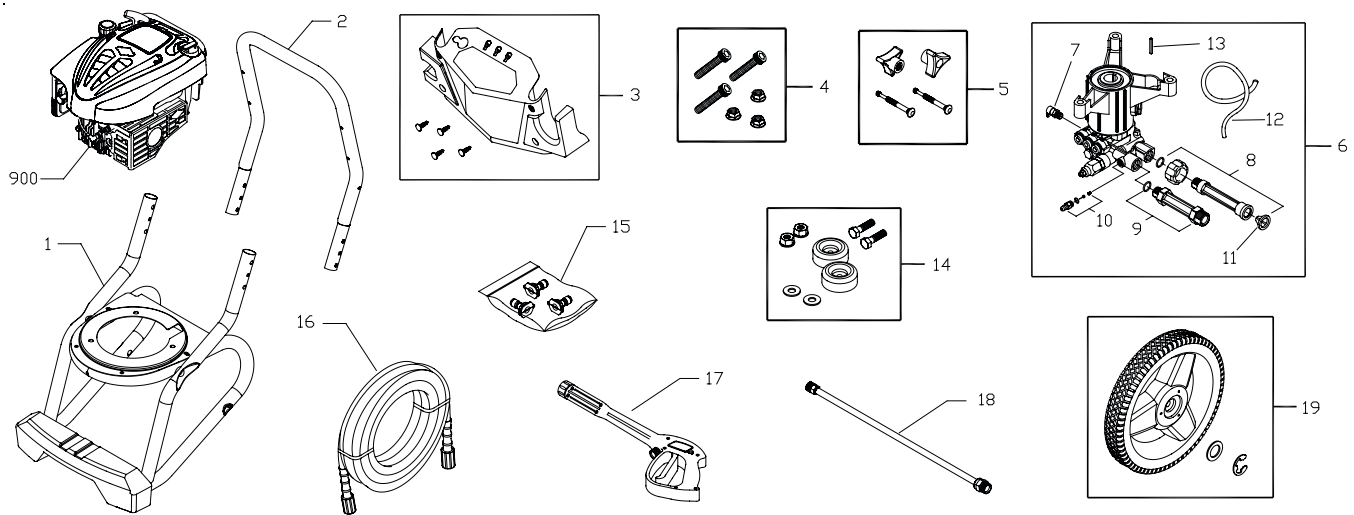
Helpline - 1-888-611-6708 M-F 8-5 CT

Troy-Bilt® is a registered trademark of MTD Products Inc and is used under license to Briggs & Stratton Power Products.  
Troy-Bilt® es una marca registrada de MTD y se usa abajo licencia a Briggs & Stratton Power Products

**Briggs & Stratton Power Products group, LLC**  
**Jefferson, Wisconsin, U.S.A.**

IPL 312169 Revision - (01/12/2010)

# Exploded View and Parts List — Main Unit



Item	Part #	Description
1	311895GS	BASE
2	310629BVGS	HANDLE
3	310749GS	BILLBOARD
	195964GS	CLIP
4	203526GS	KIT-HARDWARE PUMP MOUNTING
5	311896GS	KIT-HARDWARE HANDLE
6	311554GS	PUMP
7	208673GS	VALVE-THERMAL RELIEF
8	201496GS	KIT-WATER INLET
9	201497GS	FITTING
10	192914GS	KIT-CHEM INJ
11	B2384GS	FILTER-GARDEN HOSE
12	310975GS	HOSE-CHEMICAL
13	23139GS	KEY
14	192310GS	MOUNT-VIBRATION
15	201324GS	NOZZLE-QC GREEN
	195983AEGS	NOZZLE-QC RED
	198841GS	NOZZLE-QC BLACK
16	196006GS	HOSE
17	204627GS	GUN

Item	Part #	Description
18	200595GS	EXTENSION-QC
19	311901GS	KIT-WHEEL
	192050GS	E-RING
900	§	ENGINE
<b>Items Not Illustrated</b>		
	310755GS	MANUAL-OPERATOR'S
	BB3061BGS	OIL BOTTLE
	203874GS	AXLE
	794693	LABEL-WARNING
	310747GS	DECAL-Shroud
	208513GS	DECAL-Air Cleaner
	790037	COVER-STATIC/LABEL
	194256GS	TAG-WARNING

<b>Optional Accessories</b>		
	6039	PUMP SAVER
	6048	O-RING MAINTENANCE

§ - Contact Engine Manufacturer