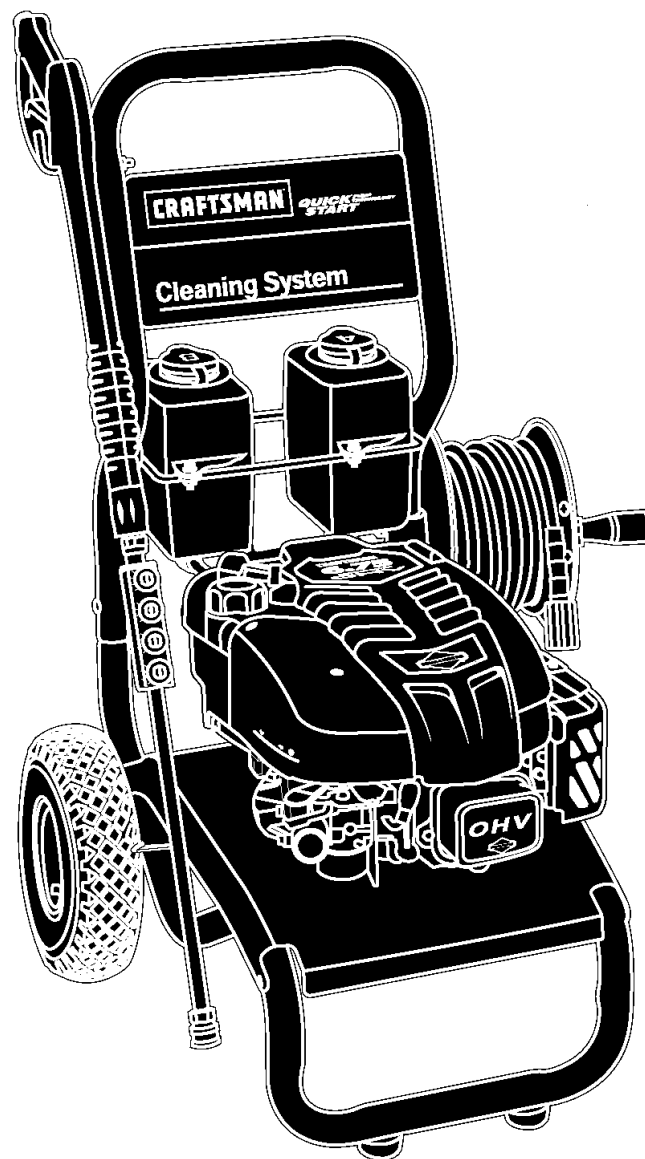


Parts Manual

Mfg. No: 020201-0
2,500 PSI Craftsman



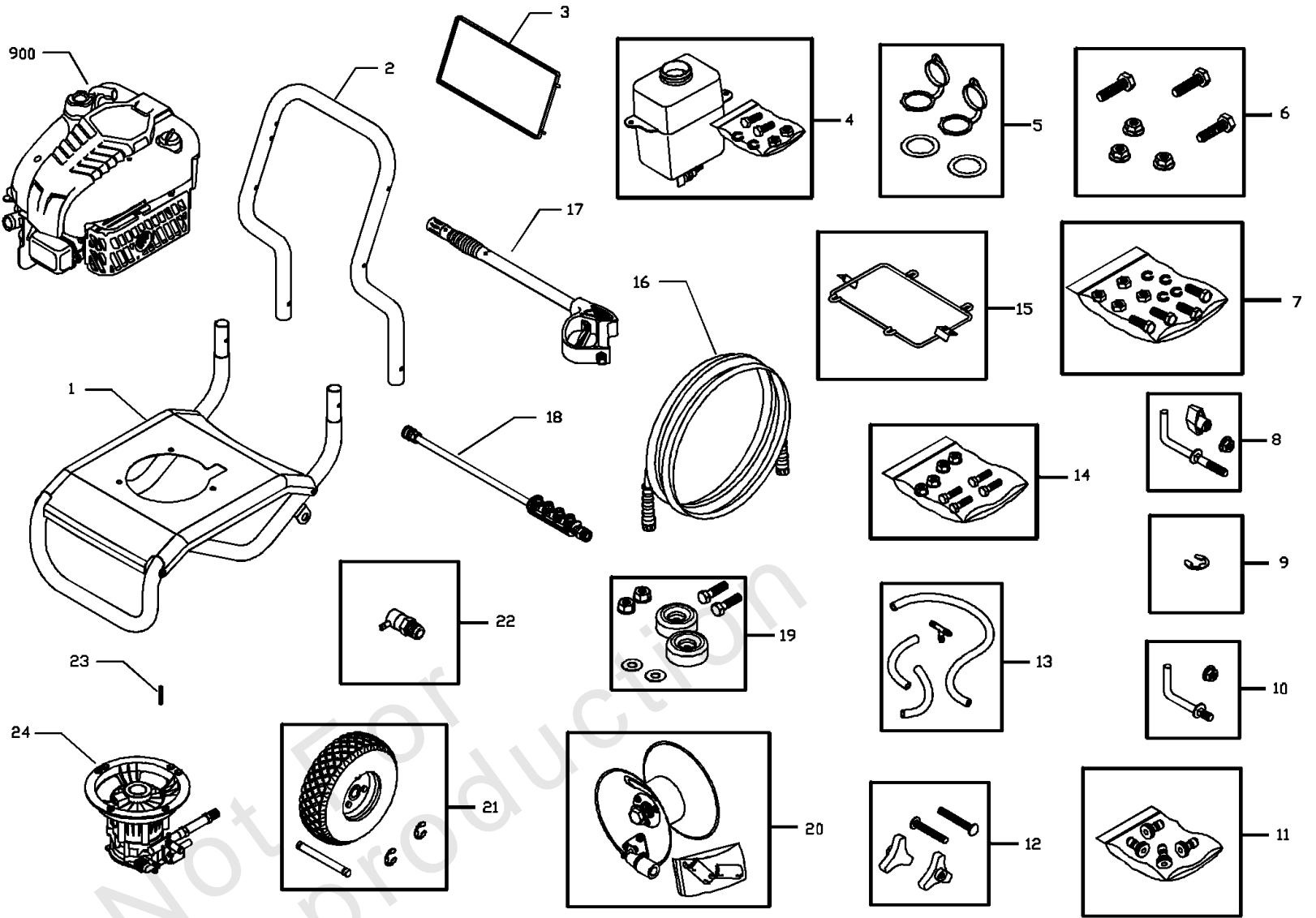
Model Components	Page
Main Unit.....	4
Pump.....	8
Torque Specification Chart.....	10

Not For
Reproduction

Main Unit

Note: Unless noted otherwise, use the standard torque specifications

Mfg. No: 020201-0



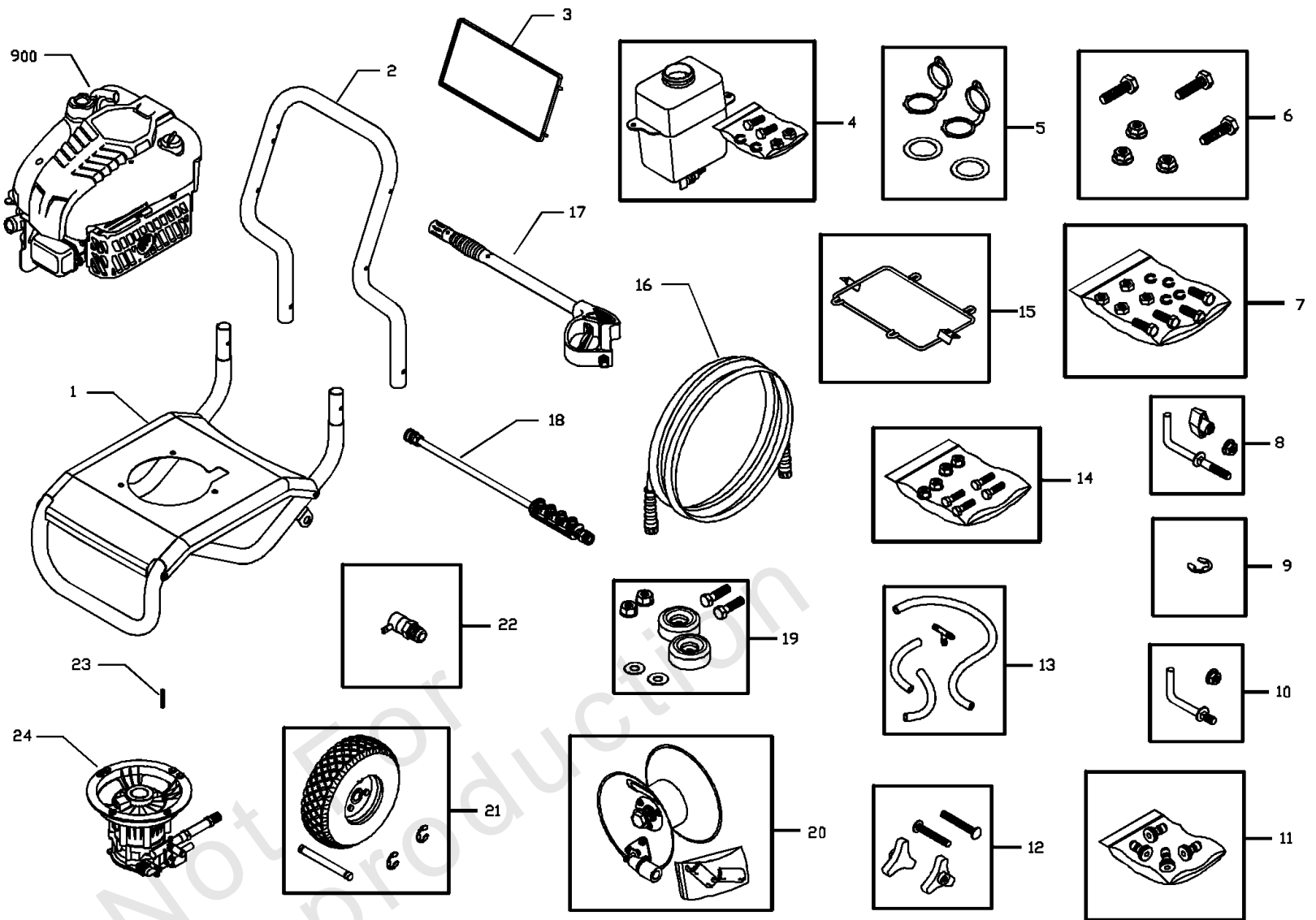
Main Unit

REF NO	PART NO	QTY	DESCRIPTION
1	194667GS		BASE
2	M194719GS		HANDLE
3	194316GS		ASSY, Billboard
4	194662GS		KIT, Chemical Tank
5	194663GS		KIT, Chem Caps with Tags
6	192645GS		KIT, Engine/Pump Mounting Hardware
7	194664GS		KIT, Chem Tank Hardware
8	194264GS		KIT, Hook, Handle
9	191265GS		KIT, E-Ring
10	192309GS		KIT, Hook, Base
11	B5646GS		KIT, Spray Tips
12	B2203GS		KIT, Handle Connector
13	194628GS		KIT, Chemical Hoses
14	194627GS		KIT, Wireform Hardware
15	194328GS		WIREFORM
16	190246GS		HOSE
17	190049GS		GUN
18	192199GS		ASSY, Extension
19	192310GS		KIT, Vibration Mount
20	192648GS		KIT, Hose Reel
21	192317GS		KIT, Wheel
22	194298GS		VALVE, Thermal Relief
23	23139GS		KEY
24	194258GS		ASSY, Pump -(see "Pump")
900	~NSP		ENGINE
	AB3061BGS		BOTTLE, Oil -Not Illustrated
	194320GS		MANUAL, Owners -Not Illustrated
	194256GS		KIT, Tag, Warning, Service -Not Illustrated
	7175187GS		Garden Hose Quick Connect -Optional Accessory Not Illustrated
	7175197GS		Accessory Quick Connect -Optional Accessory Not Illustrated
	7175199GS		Rotating Brush Kit -Optional Accessory Not Illustrated
	190249GS		25' Replacement Hose -Optional Accessory Not Illustrated
	7175116GS		O Ring Repair Kit -Optional Accessory Not Illustrated
	7174400GS		Turbo Nozzle -Optional Accessory Not Illustrated
	100513GS		Extension Hose, 25' -Optional Accessory Not Illustrated
	7174403GS		Pump Saver -Optional Accessory Not Illustrated
	7174300GS		House Wash Concentrate (makes 4 gallons) -Optional Accessory Not Illustrated
	7174301GS		Deck Wash Concentrate (makes 2 gallons) -Optional Accessory Not Illustrated
	7174302GS		Vehicle/Boat Wash Concentrate (makes 4 gallons) -Optional Accessory Not Illustrated
	7174303GS		Degreaser Concentrate (makes 4 gallons) -Optional Accessory Not Illustrated

Main Unit

Note: Unless noted otherwise, use the standard torque specifications

Mfg. No: 020201-0



Main Unit

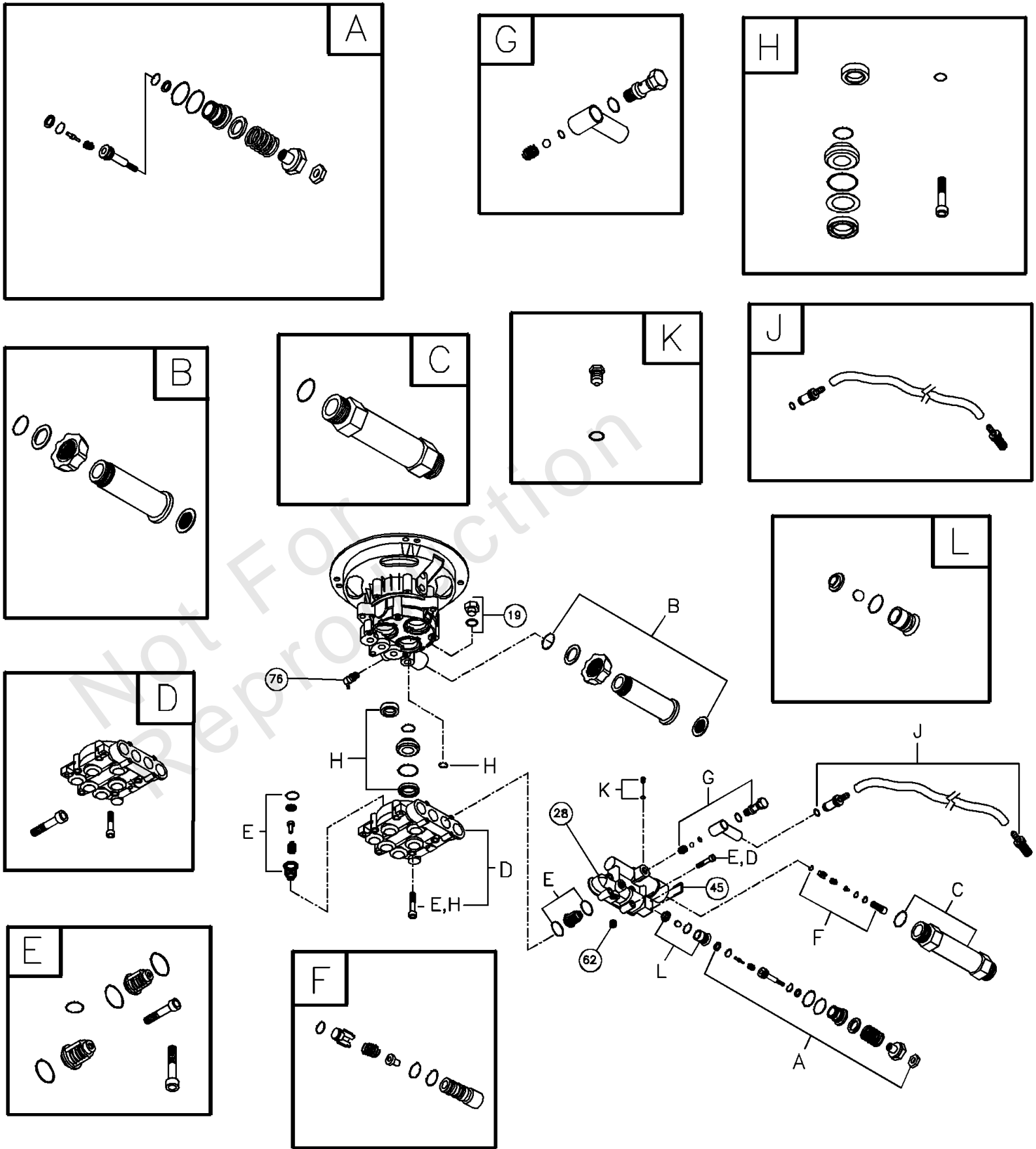
REF NO	PART NO	QTY	DESCRIPTION
	7174307GS		Mold/Mildew Concentrate (makes 2 gallons) -Optional Accessory Not Illustrated

Not For
Reproduction

Pump

Note: Unless noted otherwise, use the standard torque specifications

Mfg. No: 020201-0



Pump

REF NO	PART NO	QTY	DESCRIPTION
19	190571GS		CAP, Oil
28	190627GS		MANIFOLD
45	190578GS		PIN
62	190581GS		CAP
76	194298GS		THERMAL RELIEF
77	190586GS		OIL BOTTLE -(not shown)
A	190594GS		KIT, UNLOADER STEM -Service kit includes all parts shown within the box.
B	190632GS		KIT, WATER INLET, ALUM -Service kit includes all parts shown within the box.
C	190634GS		KIT, OUTLET, ALUM -Service kit includes all parts shown within the box.
D	193808GS		KIT, HEAD BRASS -Service kit includes all parts shown within the box.
E	193806GS		KIT, CHECK VALVES -Service kit includes all parts shown within the box.
F	190592GS		KIT, INLET CHECK -Service kit includes all parts shown within the box.
G	190593GS		KIT, CHEMICAL INJECTION -Service kit includes all parts shown within the box.
H	193807GS		KIT, SEAL SET -Service kit includes all parts shown within the box.
J	189971GS		KIT, CHEMICAL HOSE -Service kit includes all parts shown within the box.
K	193971GS		KIT, PIPE FITTING -Service kit includes all parts shown within the box.
L	193972GS		KIT, UNLOADER SEAT -Service kit includes all parts shown within the box.

Hardware Identification & Torque Specifications

Torque Specification Chart								
FOR STANDARD METRIC MACHINE HARDWARE (Tolerance ± 20%)								
Property Class	5.6		8.8		10.9		12.9	
	Class 5.6		Class 8.8		Class 10.9		Class 12.9	
Size Of Hardware	in/lbs	Nm.	in/lbs	Nm.	in/lbs	Nm.	in/lbs	Nm.
	ft/lbs		ft/lbs		ft/lbs		ft/lbs	
M3	5.88	.56	13.44	1.28	19.2	1.80	22.92	2.15
M4	13.44	1.28	30.72	2.90	43.44	4.10	52.56	4.95
M5	26.4	2.50	60.96	5.75	5.97	8.10	7.15	9.7
M6	44.64	4.3	7.3	9.9	10.3	14	12.1	16.5
M7	5.2	7.1	12.1	16.5	16.9	23	19.9	27
M8	7.7	10.5	17.7	24	25	34	29	40
M10	15	21	35	48	50	67	59	81
M12	26	36	61	83	86.2	117	103	140
M14	42	58	101	132	136	185	162	220
M16	64	88	147	200	210	285	250	340
M18	89	121	202	275	287	390	346	470
M20	126	171	290	390	405	550	486	660
M22	169	230	390	530	559	745	656	890
M24	217	295	497	375	708	960	840	1140
M27	320	435	733	995	1032	1400	1239	1680
M30	435	590	995	1350	1401	1900	1681	2280
M33	590	800	1349	1830	1902	2580	2278	3090
M36	759	1030	1740	2360	2441	3310	2935	3980
M39	988	1340	2249	3050	3163	4290	3798	5150

Torque Specification Chart						
FOR STANDARD MACHINE HARDWARE (Tolerance ± 20%)						
Hardware Grade	No Marks		SAE Grade 5		SAE Grade 8	
	SAE Grade 2		SAE Grade 5		SAE Grade 8	
Size Of Hardware	in/lbs	Nm.	in/lbs	Nm.	in/lbs	Nm.
	ft/lbs		ft/lbs		ft/lbs	
8-32	19	2.1	30	3.4	41	4.6
8-36	20	2.3	31	3.5	43	4.9
10-24	27	3.1	43	4.9	60	6.8
10-32	31	3.5	49	5.5	68	7.7
1/4-20	66	7.6	8	10.9	12	16.3
1/4-28	76	8.6	10	13.6	14	19.0
5/16-18	11	15.0	17	23.1	25	34.0
5/16-24	12	16.3	19	25.8	29	34.0
3/8-16	20	27.2	30	40.8	45	61.2
3/8-24	23	31.3	35	47.6	50	68.0
7/16-14	30	40.8	50	68.0	70	95.2
7/16-20	35	47.6	55	74.8	80	108.8
1/2-13	50	68.0	75	102.0	110	149.6
1/2-20	55	74.8	90	122.4	120	163.2
9/16-12	65	88.4	110	149.6	150	204.0
9/16-18	75	102.0	120	163.2	170	231.2
5/8-11	90	122.4	150	204.0	220	299.2
5/8-18	100	136	180	244.8	240	326.4
3/4-10	160	217.6	260	353.6	386	525.0
3/4-16	180	244.8	300	408.0	420	571.2
7/8-9	140	190.4	400	544.0	600	816.0
7/8-14	155	210.8	440	598.4	660	897.6
1-8	220	299.2	580	788.8	900	1,244.0
1-12	240	326.4	640	870.4	1,000	1,360.0

The guides and ruler furnished below are designed to help you select the appropriate hardware.



Nut, M8

Thread Diameter (mm)

Inside Diameter (in) Threads per inch

Nut, 1/2-16



Screw, M8- 1.25 x 25

Thread Diameter (mm) Distance between threads (mm) Body Length (mm)

Body Diameter Threads per inch Body Length (in)

Screw, 1/2- 16 x 2



Standard Hardware Sizing

When a washer or nut is identified as 1/2" (M8), this is the *Nominal size*, meaning the *inside diameter* is 1/2 inch (8mm metric thread diameter); if a second number is present it represents the *threads per inch* (distance between threads).

When bolt or capscrew is identified as 1/2 - 16 x 2" (M8 - 1.25 x 50), this means the *Nominal size*, or body diameter is 1/2 inch (8mm metric thread diameter), the second number, 16, represents the *threads per inch*, (*distance between threads*). The final number is the body length of the bolt or screw, 2 inches (50mm).

NOTES

- These torque values are to be used for all hardware excluding: locknuts, self-tapping screws, thread forming screws, sheet metal screws and socket head setscrews.
- Recommended seating torque values for locknuts:
 - for prevailing torque locknuts - use 65% of grade 5 torques.
 - for flange whizlock nuts and screws - use 135% of grade 5 torques.
- Unless otherwise noted on assembly drawings, all torque values must meet this specification.

Common Hardware Types

Hex Head Capscrew



Washer



Carriage Bolt



Hex Nut

Wrench & Fastener Size Guide

1/4" Bolt or Nut Wrench—7/16"	5/16" Bolt or Nut Wrench—1/2"	3/8" Bolt or Nut Wrench—9/16"	7/16" Bolt or Nut Wrench (Bolt)—5/8" Wrench (Nut)—11/16"	1/2" Bolt or Nut Wrench—3/4"
M6 Bolt or Nut Wrench—10mm	M8 Bolt or Nut Wrench—13mm	M10 Bolt or Nut Wrench—17mm	M12 Bolt or Nut Wrench—19mm	M14 Bolt or Nut Wrench—22mm

